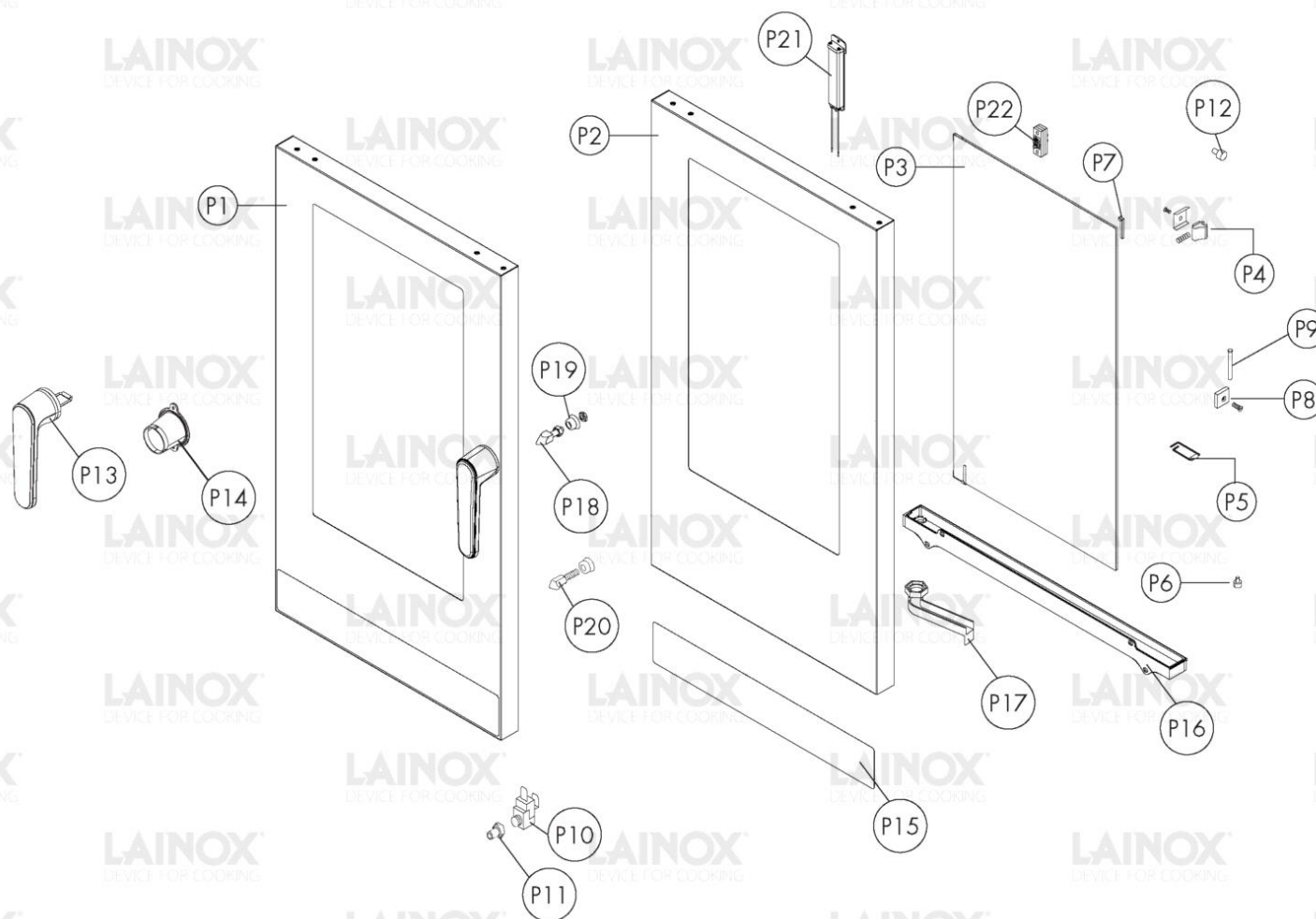


Warning! The exploded views refer to the general model

**TAV.A**

Pos.	Code	Previous code	Description	Notes	From:	To:
0001	LA65210100		FUSE CARRIER [C] 2X38	UL Version (USA-CAN)		
0001	LAR65041020		MOTOR [C] 230V 130W DOUBLE SPEED	UL Version (USA-CAN)		
0001	LAR65041040		MOTOR [C] DOUBLE SPEED			
0001	LAR65200400		FUSIBILE X MOT. KTK-R-6 600V 6A CL. CC	UL Version (USA-CAN)		
0002	LAR58005500		SEAT [C]			
0003	LA70020020	LAR70020020	GASKET [C] 8X22			
0004	LAR65011660		HEATING ELEMENT [C] 7500W 230V DOUBLE RING CAM			
0004	LAR65011680		HEATING ELEMENT [C] 7500W254V	Marine Version 254V (3AC 440V)		
0004	LAR65011760		HEATING ELEMENT [C] 7500W 208V CHAMBER	UL Version 208V (USA-CAN)		
0004	LAR65011770		RESISTENZA 7500W277V	UL Version 277V (USA-CAN 3AC 480V)		
0005	LA75400580	LAR75400580	FAN [C] D. 200X50 50HZ	50Hz		
0005	LA75400610		FAN [C] D. 200X42 60HZ	60Hz		
0006	LA75300170	LAR75300170	PLATE [C] FAN D. 200 COE_026/061/101			
0007	LAR18424150		UPPER HINGE [C] FOR DOOR CEV			
0008	LA58002150	LAR58002150	UPPER PIN [C] HINGE M/106-220			
0009	LA58004050	LAR58004050	NUT [C]			
0012	LA69130570	LAR69130570	CAP [C] D. 8,5-14,5			
0013	LAR65270130		LAMP KIT [C] 230V 40W 300Å°C SET 5 PCS	HALOGEN		10/18/2019
0013	LAR65270510		LAMP HOLDER [C] WITH LAMP G9 40W 230V	HALOGEN		10/18/2019
0014	LA70060080		SILICONE COUPLING [C] D. 13X18X80			
0015	LA58001850	LAR58001850	PIN [C] RACKS SUPPORT M5 MIXTER			
0016	LA70044934		GUARNIZ.FACCIATA PORTA CEV101 P.80100612			
0017	LAR69180390		DRAIN CONTAINER [C] COE_026/061/101			
0018	LA69180250	LAR69180250	FILTER [C] DRIP COLLECTOR DRAIN			
0019	LAR69180370		DOOR [C]			
0020	LA70010250	LAR70010250	GASKET [C] 17,17X1,78			
0021	LAR10201700		FILTER [C] D.76/44.5 M/106-11			
0022	LAR70030180		GRAPHITE GASKETS KIT [C] 80x50,3x3 SET 5 PIECES			
0023	LA62090478	LAR62090478	CONNECTION [C] 90Å° F/F D.10			
0024	LA58006160		NOZZLE [C] D. 0,80			
0025	LA62280028	LAR62280028	CURVE [C]			
0026	LAR65320220		PROBE [C] K L. 1,5M			
0027	LA65090300	LAR65090300	ACTUATOR [C]			
0028	LAR18422130		CAP [C] E_042-051-044			
0029	LA70050130	LAR70050130	GASKET [C] VENT PIPE D. 50			

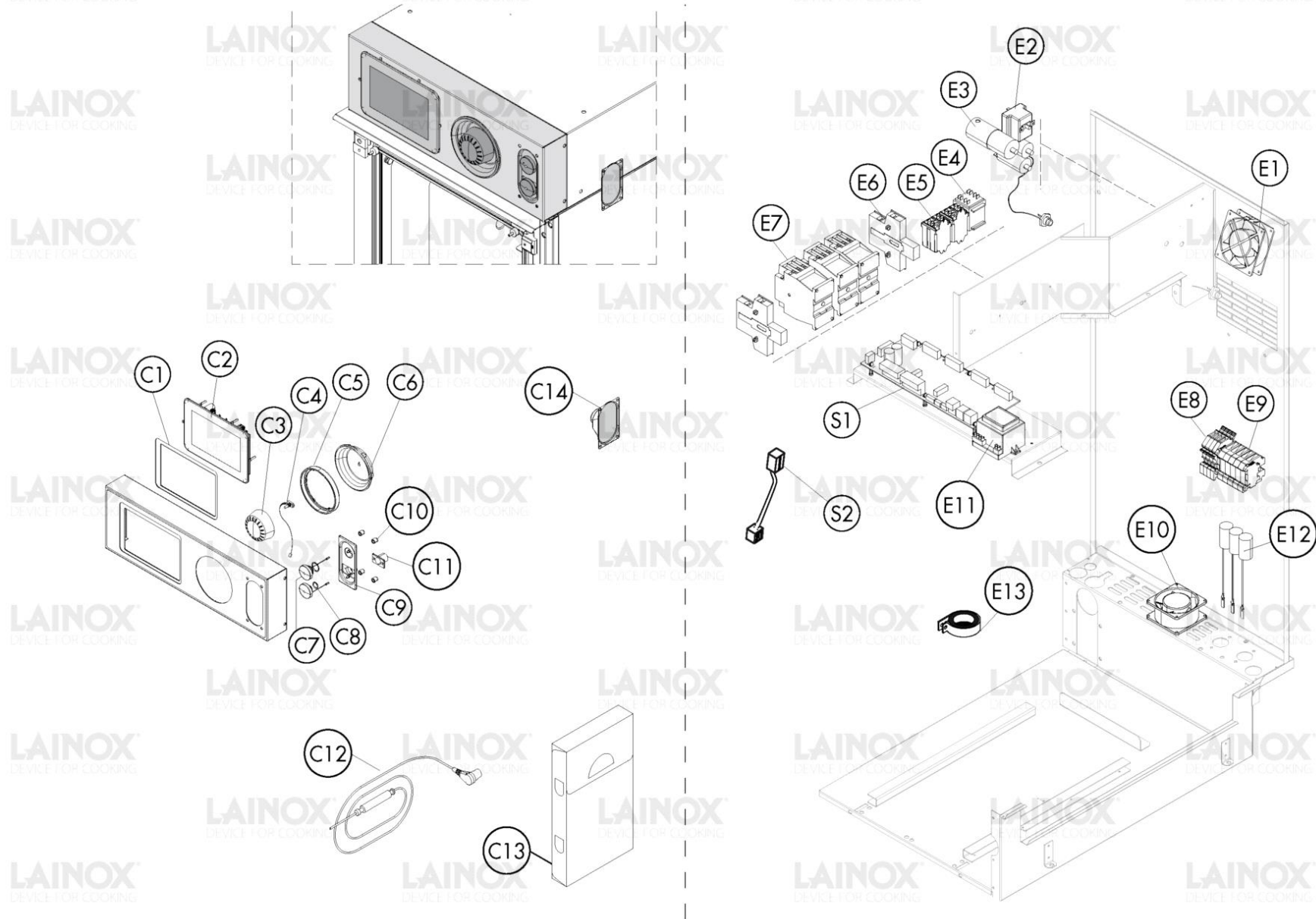
Pos.	Code	Previous code	Description	Notes	From:	To:
0030	LA70060010	LAR70060010	SILICONE COUPLING [C] D. 30			
0031	LA69130580	LAR69130580	CAP [C] D. 32			
0032	LA69130600	LAR69130600	CAP [C] D. 8			
0033	LAR65110360		SOLENOID VALVE [C] 3 WAYS 230V 50/60HZ OUT JG F D10			
0033	LAR65110790		SOLENOID VALVE [C] 230V 50/60HZ	UL Version (USA-CAN)		
0034	LA65110580		FLOW REGULATOR [C] PINK 9LT/H			
0035	LA62090528	LAR62090528	CONNECTION [C] 90° M/F D.10			
0036	LAR70010050		GASKET [C] 7,60X2,62			
0037	LA62090518	LAR62090518	CONNECTOR [C] END SIDE PIPE 10X1/4			
0038	LA62030113	LAR62030113	COUPLING [C] BRASS REDUCTION			
0039	LAR63070050		WATER PRESSURE SWITCH [C] 500/350 mbar -1/8			
0040	LAR65240200		FAIRLEAD [C]			



Warning! The exploded views refer to the general model

TAV. B

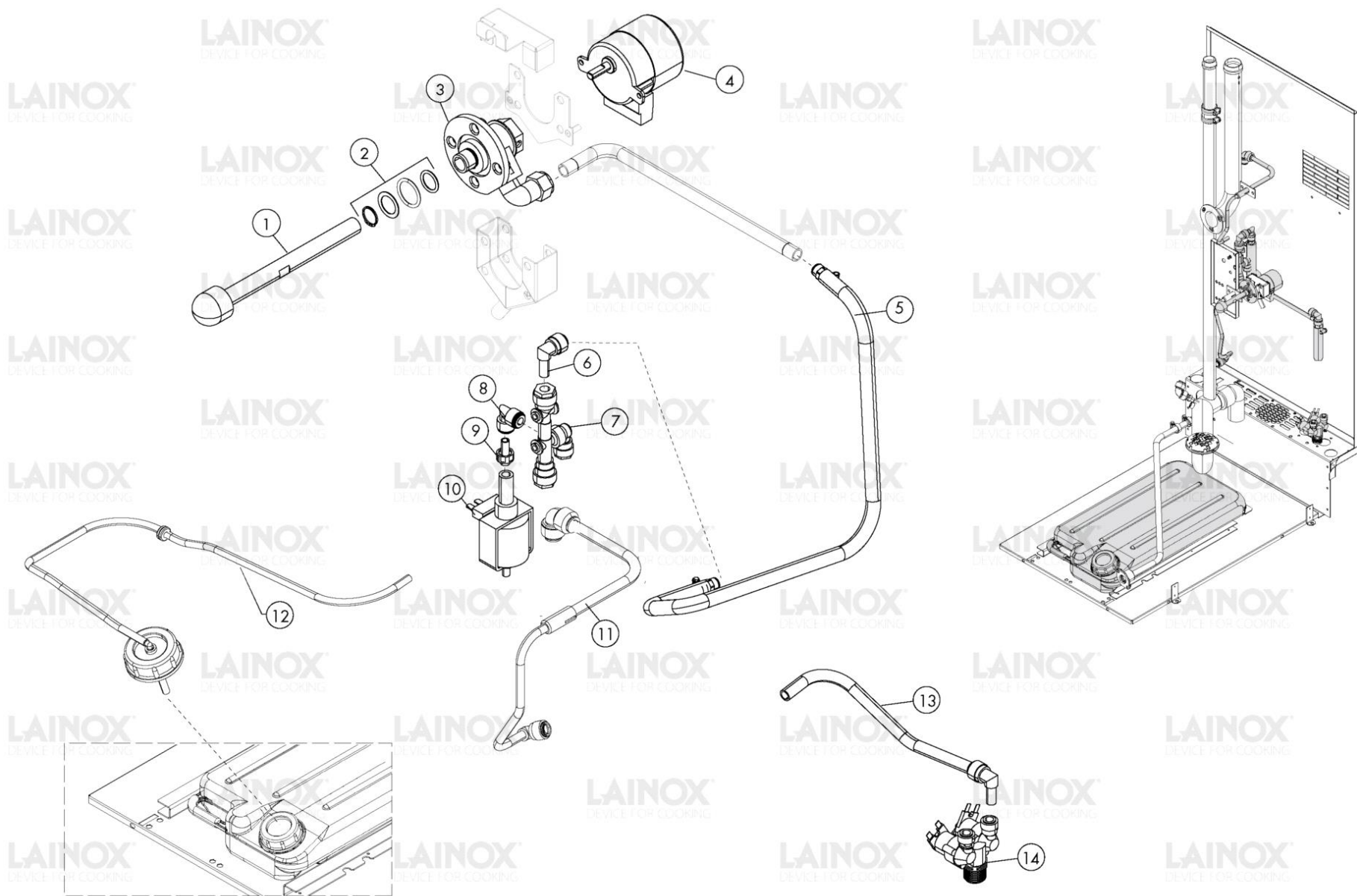
Pos.	Code	Previous code	Description	Notes	From:	To:
00P1	LAR18109280		PORTA COMPLETA COEN101 PORTA COMPLETA COEN101	HALOGEN		10/18/2019
00P2	LAR18212490		PORTA ESTERNA COEN101	HALOGEN		10/18/2019
00P3	LAR71200970		GLASS PLATE [C]	HALOGEN		10/18/2019
00P4	LAR17406230		GLASS BLOCK [C]		10/8/2018	
00P4	LAR58001780		CATCH [C] DOOR GLASS			10/5/2018
00P5	LA61620132		SPRING [C] PRONG HOOK	LED	10/21/2019	
00P5	LA61620152		SPRING [C] PRONG HOOK	HALOGEN		10/18/2019
00P6	LA18404520		SPACER [C] GLASS PROTECTION			
00P7	LA11423460		PROTECTION [C] DOOR GLASS K E T 2011			
00P8	LA58001760		HINGE [C] INTERNAL GLASS			
00P9	LA58001770		PIN [C] GLASS HINGE SR2000			
0P10	LAR65260540		MICROSWITCH [C] DOOR			10/18/2019
0P10	LAR65260660		MICROSWITCH [C] DOOR		10/21/2019	
0P11	LA58001860		PIN [C] RACKS SUPPORT			
0P12	LAR70050180		SPACER [C] GLASS PLATE 15X8 (min.10 pcs or multiples)			
0P13	LA69010900		HANDLE [C]	HALOGEN		10/18/2019
0P13	LA69011070		HANDLE SET [C] BLACK ICON 2019	LED	10/21/2019	
0P14	LA69011001		COP.INT.MECC.CHIUS.GRUPPO 6303 COMPACT			
0P15	LA67018231		RIV.POR.COMP.NABOO COEN026R/061R/101R LX			
0P16	LA69180380		DOOR CONTAINER [C] COE_026/061/101			
0P17	LA69180011		WATER DRAIN [C] CONTAINER			
0P18	LA69010260		PRONG [C] 1 STEP			
0P19	LAR69010270		DOOR LATCH 2 STEP [C]			
0P20	LA70050160		GASKET [C] COVER 6303			
0P21	LA65270590		LAMP [C] LED L=130MM 12V DC		10/21/2019	
0P22	LAR65260752		LIGHT CONTACT [C] SR.2014 - FLOOR OVEN		10/21/2019	



Warning! The exploded views refer to the general model

TAV.C

Pos.	Code	Previous code	Description	Notes	From:	To:
00C1	LA70040040	LAR70040040	GASKET [C] DYSPLAY 7			
00C2	LAR65303740		SCHEDA DISPLAY NABOO 7+FRAME OR.			
00C3	LAR14102940		ENCODER UPGRADE C K			
00C4	LAR14102940		ENCODER UPGRADE C K			
00C5	LA69030330	LAR69030330	COUNTER FLANGE [C]			
00C6	LAR14102940		ENCODER UPGRADE C K			
00C7	LA65321310	LAR65321310	CAP [C] USB SOCKET N/S			
00C8	LA65321331		CAP [C] PROBE SOCKET 2020			
00C9	LA69180350	LAR69180350	PLATE [C] CORE PROBE			
00E1	LA65060050	LAR65060050	FAN [C] D. 120			
00E2	LA65070350	LAR65070350	THERMOSTAT [C] 360Â°C N/S/L			
00E2	LA65070370		THERMOSTAT [C] 360Â°C	UL Version (USA-CAN)		
00E3	LA65190241		CONDENSER [C] 10ÂµF C/OUT 4 FASTON 6,35 UL			
00E4	LA65170170	LAR65170170	RELAY [C]			
00E5	LA65170180	LAR65170180	RELAY [C]			
00E6	LA65140740	LAR65140740	CONTACT [C]			
00E7	LA65140710	LAR65140710	CONTACTOR [C] 7,5KW-35A			
00E8	LA65210020	LAR65210020	FUSE HOLDER [C] 5X20			
00E9	LA65220091	LAR65220091	TERMINAL BLOCK [C] 3P+N+G			
00S1	LAR65302640		POWER BOARD [C] COMPACT BY NABOO			
00S2	LA65301750	LAR65301750	CABLE [C] SERIAL RJ45 L. 600			
0C10	LA69180360	LAR69180360	PLATE CLAMP [C] LEO/COMPACT			
0C11	LA65321530		CONNECTOR [C] CORE PROBE 6 PIN. L=450			
0C12	LA65321500		CORE PROBE [C] 4 POINTS W.PLUG N/S			
0C13	LAR86020420	LA86020400	CORE TEMPERATURE PROBE BOX [C]			
0C14	LA65330070		LAUDSPEAKER [C] L=1400MM			
0E10	LA65060010	LAR65060010	FAN [C] D. 80			
0E11	LA65180430		TRANSFORMER [C] 40VA 0-220-240/12V			
0E11	LA65187110		TRANSFORMER [C] 40VA 2.5/12/24V	UL Version (USA-CAN)		
0E12	LA65280200		AIR FILTER [C]			
0E13	LA65280450	LAR65280450	FERRITE [C]			



Warning! The exploded views refer to the general model

TAV.D



Pos.	Code	Previous code	Description	Notes	From:	To:
0001	LAR58007060		WASHING HEAD [C]			
0002	LAR70045120		GASKET [C] MOB WASHING			
0003	LAR58007020		FLANGE [C] MOB WASHING			
0004	LAR65090260		GEARMOTOR [C]			
0005	LA18109610	LAR18109610	PREM.TUBO LAV.DETERGENTE COEN/S101			
0006	LA62090478	LAR62090478	CONNECTION [C] 90° F/F D.10			
0007	LA62090888	LAR62090888	CONNECTION [C] JG 3WAY WASHING			
0008	LA62090498	LAR62090498	CONNECTION [C] 90° F/F D.8			
0009	LA62090608	LAR62090608	CONNECTION [C] JG M/M D.8-1/8			
0010	LAR65110600		PUMP [C] PULSE BIG 230V 50HZ			
0011	LAR18109380		PIPE [C] COE_101			
0012	LA14171832		PREM.TUBO DETER.TAN.ANTIROTAN.N/S072/102			
0013	LAR18109370		PIPE [C] WASHING SYSTEM COE_101			
0014	LAR65110330		SOLENOID VALVE [C] 2 WAYS 230V 50/60HZ OUT JG F D10			
0014	LAR65110770		ELECTRO VALVE [C] 230V 50/60HZ 2 WAYS OUT J.G. D.10 UL	UL Version (USA-CAN)		