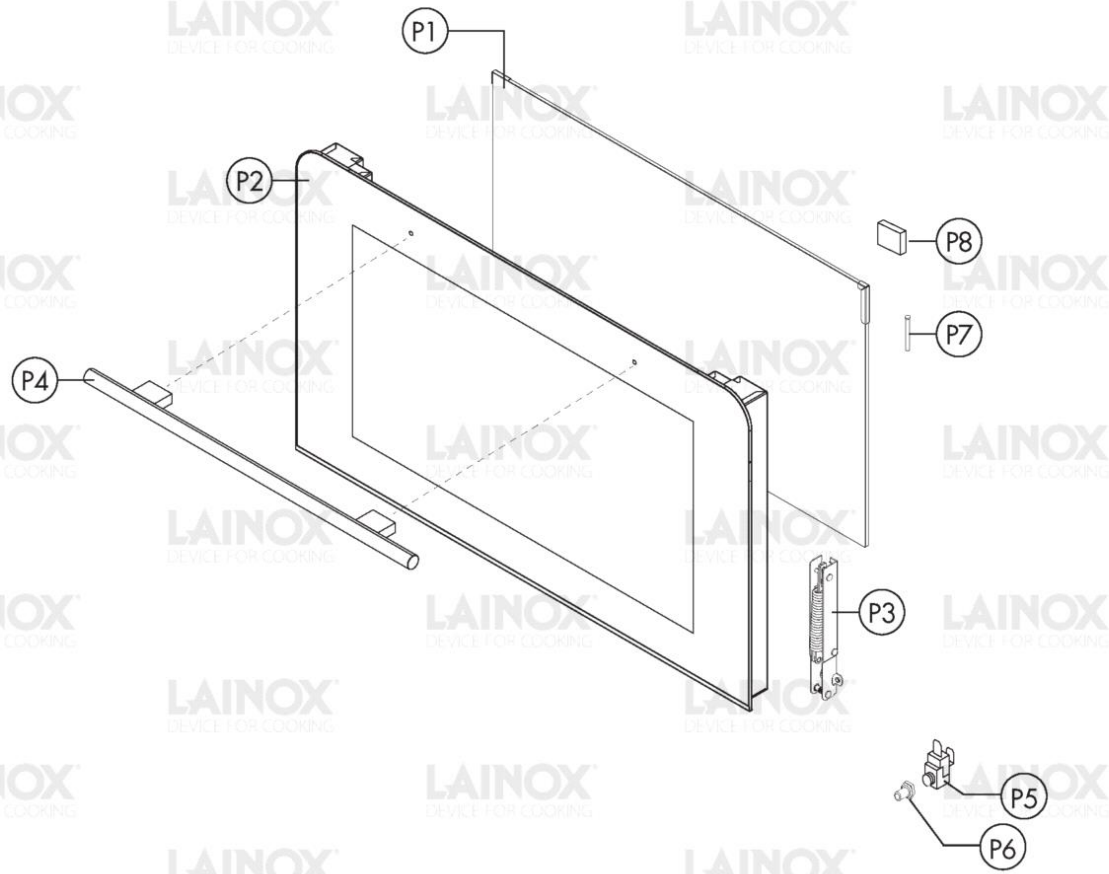


Warning! The exploded views refer to the general model

TAV.A ed.1215

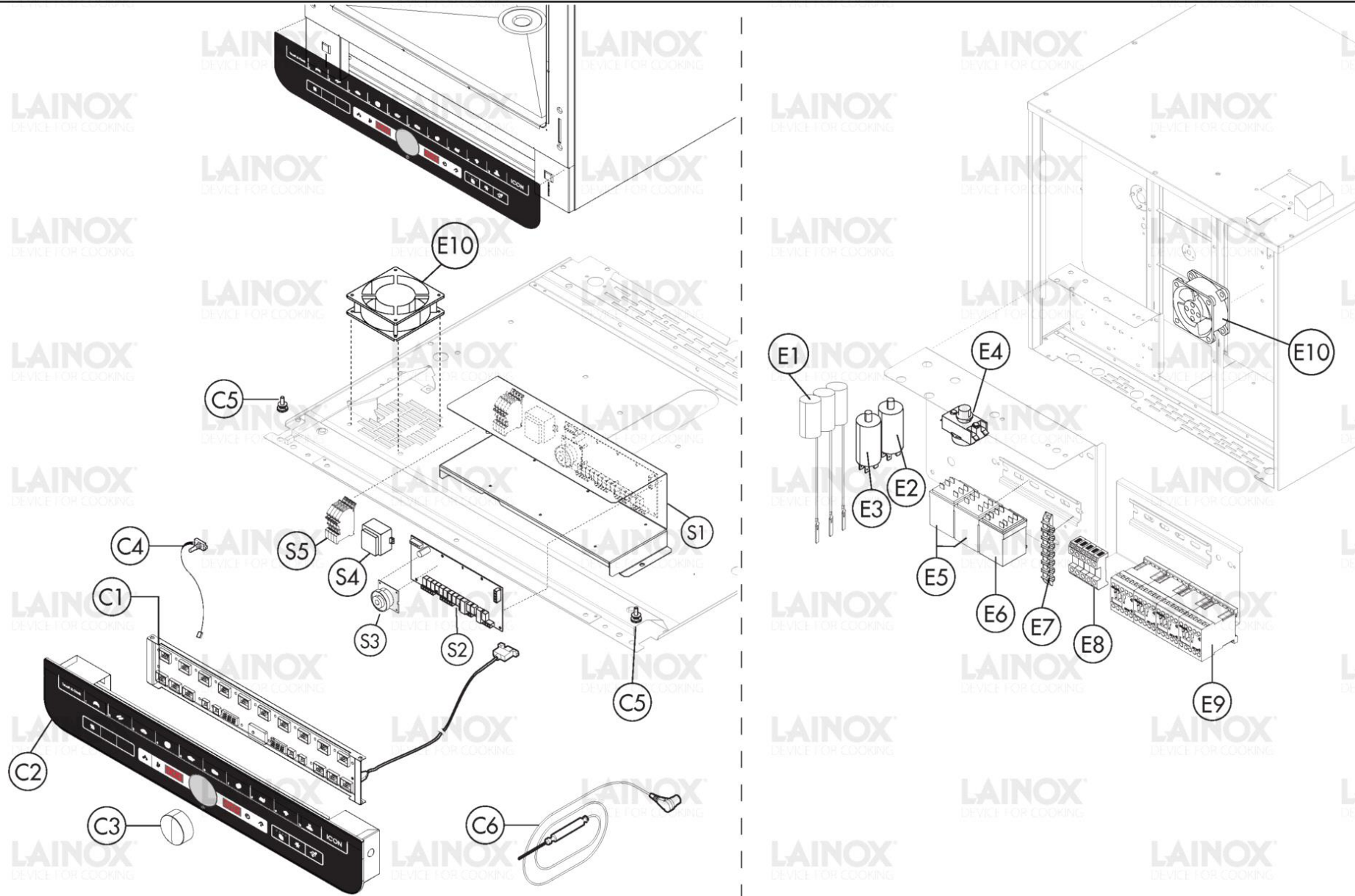
Pos.	Code	Previous code	Description	Notes	From:	To:
0001	LAR65041040		MOTOR [C] DOUBLE SPEED			
0002	LAR58005500		SEAT [C]			
0003	LA70020020	LAR70020020	GASKET [C] 8X22			
0004	LAR65010321		RESISTENZA			
0005	LA75400410		FAN [C] D. 180X77 50HZ	50Hz		
0005	LA75400430		FAN [C] D. 180X77 60HZ	60Hz		
0006	LA75300160	LAR75300160	PROTECTION GRID [C] FAN D. 180			
0007	LAR65270510		LAMP HOLDER [C] WITH LAMP G9 40W 230V			
0008	LA17202580		HINGE [C] OVEN			
0009	LAR69180290		BACINELLA SCARICO FORNO ICON 023 2015			
0010	LA69180310	LAR69180310	CAP [C] DRAIN			
0011	LA70044780	LAR70044780	GASKET [C] FRONT PANEL 023			
0012	LA58007340	LAR58007340	PIN [C] RACKS SUPPORT M5			
0013	LAR10201700		FILTER [C] D.76/44.5 M/106-11			
0014	LAR70030170		GRAPHITE GASKETS KIT [C] 76X40,3X3 SET 5 PIECES			
0015	LAR65320220		PROBE [C] K L. 1,5M			
0016	LA62070023	LAR62070023	BICONE [C] D. 6			
0017	LA62060223	LAR62060223	NUT [C] D. 6			
0018	LA62280028	LAR62280028	CURVE [C]			
0019	LA65110580		FLOW REGULATOR [C] PINK 9LT/H			
0020	LAR63070050		WATER PRESSURE SWITCH [C] 500/350 mbar -1/8			
0021	LA62030113	LAR62030113	COUPLING [C] BRASS REDUCTION			
0022	LAR62090508		STRAIGHT CONNECTOR [C] END SIDE PIPE 10X1/4			
0023	LA62090788	LAR62090788	REDUCTION [C] D. 10-6			
0024	LA65110200	LAR65110200	SOLENOID VALVE [C] 220V 50HZ 1 OUTLET JG CONNECTION			
0025	LAR65240200		FAIRLEAD [C]			
0026	LAR65240210		CONTRODADO 116/21 N			
0027	LA69070170	LAR69070170	FOOT [C]			



Warning! The exploded views refer to the general model

TAV.B ed.1215

Pos.	Code	Previous code	Description	Notes	From:	To:
00P2	LAR17108260		DOOR [C] 023			
00P2	LAR17108261		DOOR [C] 023		12/5/2016	
00P2	LAR17108270		DOOR [C] TEC COMPLETE ICON 023			
00P2	LAR17108271		PORTA COMPLETA ALPHATEC ICON 023		12/5/2016	
00P2	LAR17108280		DOOR [C] ICON 023			
00P2	LAR17108281		DOOR [C] ICON 023		12/5/2016	
00P2	LAR17108660		PORTA COMPLETA ALPHATEC LN ICON 023 PORTA COMPLETA ALPHATEC LN ICON 023			
00P2	LAR17108661		PORTA COMPLETA ALPHATEC LN ICON 023 PORTA COMPLETA ALPHATEC LN ICON 023		12/5/2016	
00P3	MA1304500		BRACKET [C] ROLLER HOLDER			
00P4	LA69030360	LAR69030360	HANDLE [C] 023/041			
00P5	LAR65260660		MICROSWITCH [C] DOOR			3/1/2019
00P5	LAR65260660	LA65260660	MICROSWITCH [C] DOOR		3/4/2019	
00P6	LA58001860	LAR58001860	PIN [C] RACKS SUPPORT			
00P7	LA58001770	LAR58001770	PIN [C] GLASS HINGE SR2000			
00P8	LAR70050180		SPACER [C] GLASS PLATE 15X8 (min.10 pcs or multiples)			



Warning! The exploded views refer to the general model

TAV.C ed.1215

Pos.	Code	Previous code	Description	Notes	From:	To:
00C1	LA65302660	LAR65302660	DISPLAY PC BOARD [C] ICON T 2015+CABLE			
00C2	LAR17411290T		CONTROL PANEL [C] ICET023			
00C2	LAR17411290TA		CONTROL PANEL [C] ICET023			
00C3	LA69030460		KNOB ENCODER [C] D.60 ICON			
00C4	LA65302720	LAR65303200	ENCODER [C] ICON			
00C5	LA69010990	LAR69010990	KNOB [C] M5X10 CONTROL PANELS CLAMPING			
00C6	LA65321430	LAR65321430	CORE PROBE [C] K 6 PIN			
00E1	LA65280200		AIR FILTER [C]			
00E2	LA65190081		CONDENSER [C] .5 μ F V425-B UL			
00E3	LA65190241		CONDENSER [C] 10 μ F C/OUT 4 FASTON 6,35 UL			
00E4	LA65070451		THERMOSTAT [C] 335 \AA °C			
00E5	LA65170100	LAR65170100	RELAY [C]			
00E6	LA65170170	LAR65170170	RELAY [C]			
00E7	LA65220360	LAR65220360	7 POLES TERMINAL BLOCK [C]			
00E8	LA65220091	LAR65220091	TERMINAL BLOCK [C] 3P+N+G			
00E9	LA65140700	LAR65140700	CONTACTOR [C] 4KW-20A			
00S1	LAR17108090		COMPLETE MAIN BOARD [C] ICON TOUCH			
00S2	LA65302670		MAIN BOARD [C] TOUCH ICON 2015			
00S3	LA65302680		BOARD [C] BUZZER S			
00S4	LA65180420		TRANSFORMER [C] 20VA 0-220-240/12V			
00S4	LA65187110		TRANSFORMER [C] 40VA 2.5/12/24V	UL Version (USA-CAN)		
00S5	LA65210020	LAR65210020	FUSE HOLDER [C] 5X20			
0E10	LA65060050	LAR65060050	FAN [C] D. 120			