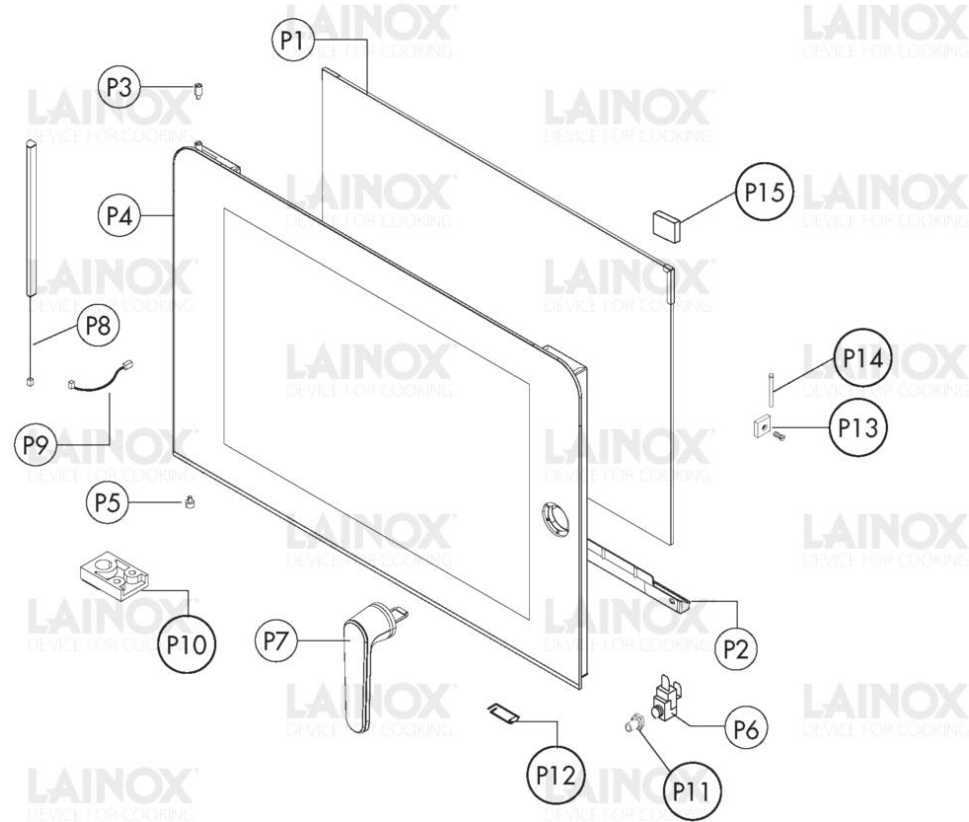


Warning! The exploded views refer to the general model

TAV.A ed.2017

Pos.	Code	Previous code	Description	Notes	From:	To:
0001	LA70050170	LAR70050170	GASKET [C] VENTING PIPE 80x40			
0002	LAR58007330		ROD [C]			
0003	LAR65090270		PROGRAMMER [C]			
0004	LA70050200	LAR70050200	GASKET [C] EXTERNAL PIPE 80X40			
0005	LAR65041040		MOTOR [C] DOUBLE SPEED			
0006	LAR58005500		SEAT [C]			
0007	LA70020020	LAR70020020	GASKET [C] 8X22			
0008	LAR65011790		HEATING ELEMENT [C] 7000W230V C/FASTON CHAMBER ICON 2015			
0009	LA75400410		FAN [C] D. 180X77 50HZ	50Hz		
0009	LA75400430		FAN [C] D. 180X77 60HZ	60Hz		
0010	LA75300160	LAR75300160	PROTECTION GRID [C] FAN D. 180			
0011	LA58007250	LAR58007250	UPPER HINGE [C]			
0012	LA58007260	LAR58007260	LOWER HINGE [C]			
0013	LA58007280	LAR58007280	PIN [C] RIGHT DOOR HINGE			
0013	LA58007290	LAR58007290	PIN [C] LEFT DOOR HINGE			
0014	LA69130570	LAR69130570	CAP [C] D. 8,5-14,5			
0015	LA58007270	LAR58007270	TAMPONAM.CERNIERA INF.SERIE ICON 2015			
0016	LAR69180260		OVEN DRAIN CONTAINER [C]			
0017	LA69180310	LAR69180310	CAP [C] DRAIN			
0018	LA69010260	LAR69010260	PRONG [C] 1 STEP			
0018	LAR69010270		DOOR LATCH 2 STEP [C]			
0019	LA70044350	LAR70044350	GASKET [C] DOOR FRONT PANEL A/P/05			
0020	LA58007340	LAR58007340	PIN [C] RACKS SUPPORT M5			
0021	LAR10201700		FILTER [C] D.76/44.5 M/106-11			
0022	LAR70030170		GRAPHITE GASKETS KIT [C] 76X40,3X3 SET 5 PIECES			
0023	LAR65320220		PROBE [C] K L. 1,5M			
0024	LA62070023	LAR62070023	BICONE [C] D. 6			
0025	LA62060223	LAR62060223	NUT [C] D. 6			
0026	LA62280028	LAR62280028	CURVE [C]			
0027	LA65110580		FLOW REGULATOR [C] PINK 9LT/H			
0028	LAR63070050		WATER PRESSURE SWITCH [C] 500/350 mbar -1/8			
0029	LA62030113	LAR62030113	COUPLING [C] BRASS REDUCTION			
0030	LAR62090508		STRAIGHT CONNECTOR [C] END SIDE PIPE 10X1/4			
0031	LA62090788	LAR62090788	REDUCTION [C] D. 10-6			
0032	LAR65110230		SOLENOID VALVE [C] 2 OUTLETS 1P+1D J.G. 220V 50HZ			

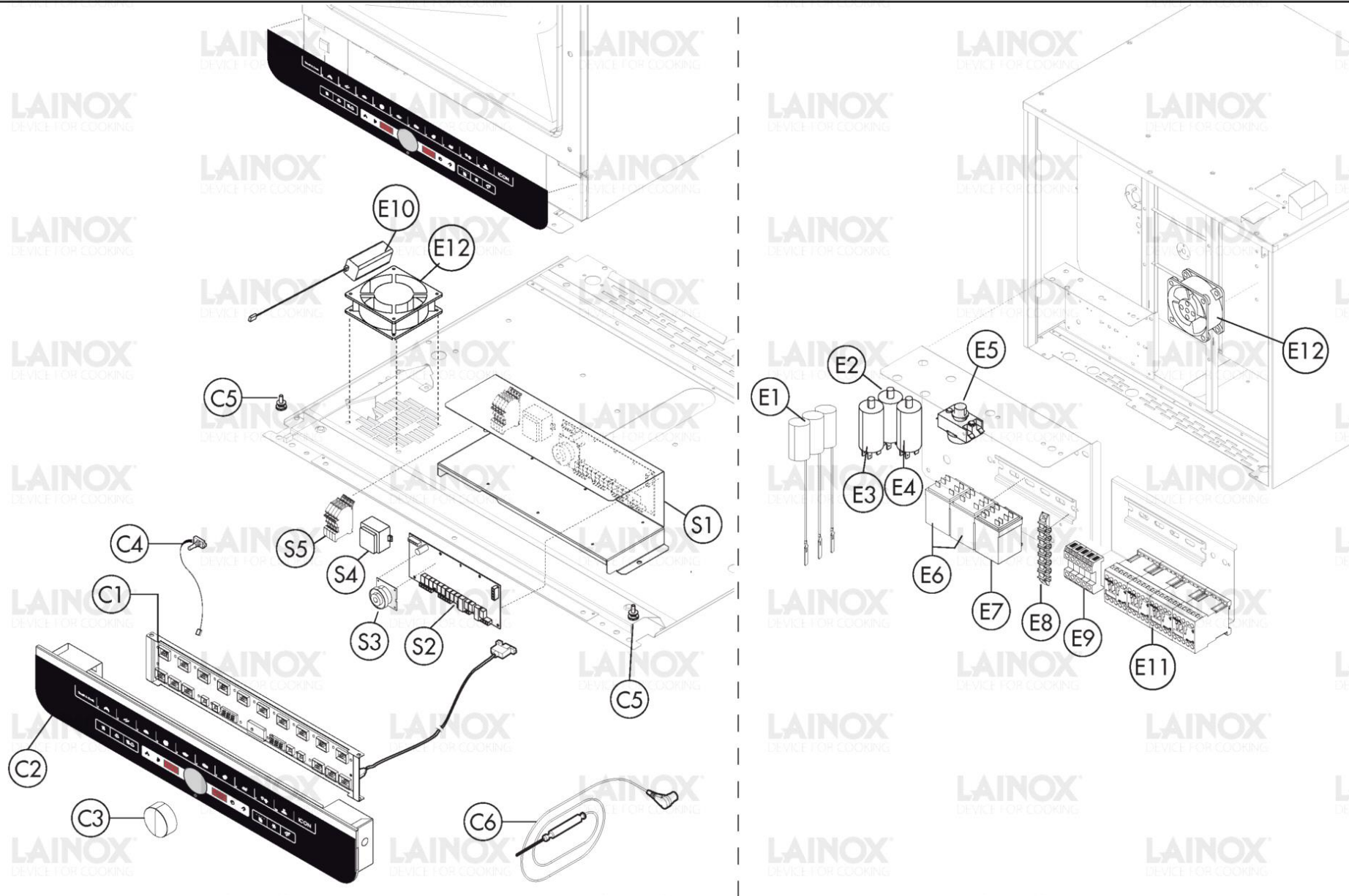
Pos.	Code	Previous code	Description	Notes	From:	To:
0033	LAR65240200		FAIRLEAD [C]			
0034	LAR65240210		CONTRODADO 116/21 N			
0035	LA69070170	LAR69070170	FOOT [C]			



Warning! The exploded views refer to the general model

TAV.B ed.2017

Pos.	Code	Previous code	Description	Notes	From:	To:
00P1	LAR71201990		GLASS PLATE [C]			
00P2	LA69180270	LAR69180270	RIGHT DOOR CONTAINER [C]			
00P2	LA69180280	LAR69180280	LEFT DOOR CONTAINER [C]			
00P3	LA58007310	LAR58007310	UPPER CATCH [C] DOOR			
00P4	LAR17107690		DOOR [C] 051			
00P4	LAR17108310		DOOR [C] TEC COMPLETE ICON 051			
00P4	LAR17108320		NEUTRAL COMPLETE DOOR [C] ICON 051			
00P4	LAR17108470		REVERSE DOOR [C] ICON 051 COMPLETE LAINOX			
00P4	LAR17108500		REVERSE DOOR [C] ALPHATEC ICON 051			
00P4	LAR17108530		NEUTRAL REVERSE DOOR [C] INCON 051			
00P4	LAR17108680		DOOR [C] ALPHATECH LN ICON 051			
00P4	LAR17108710		PORTA CONTR.COMPL.ALPHATEC LN ICON 051 PORTA CONTR.COMPL.ALPHATEC LN ICON 051			
00P5	LA58007320	LAR58007320	LOWER CATCH [C] DOOR			
00P6	LAR65260660		MICROSWITCH [C] DOOR			3/1/2019
00P6	LAR65260660	LA65260660	MICROSWITCH [C] DOOR		3/4/2019	
00P7	LA69010900	LAR69010900	HANDLE [C]			
00P7	LA69010930	LAR69010930	HANDLE [C]			
00P8	LAR65270560		LED BULB [C] L. 360MM 45°			
00P9	LAR66605970		LED CABLE EXTENSION [C] L=100			
0P10	LA58007300	LAR58007300	LOWER SUPPORT [C] DOOR SERIE ICON 2015			
0P11	LA58001860	LAR58001860	PIN [C] RACKS SUPPORT			
0P12	LA61620152		SPRING [C] PRONG HOOK			
0P13	LA58001760	LAR58001760	HINGE [C] INTERNAL GLASS			
0P14	LA58001770	LAR58001770	PIN [C] GLASS HINGE SR2000			
0P15	LAR70050180		SPACER [C] GLASS PLATE 15X8 (min.10 pcs or multiples)			



Warning! The exploded views refer to the general model

TAV.C ed.2017

Pos.	Code	Previous code	Description	Notes	From:	To:
00C1	LA65302660	LAR65302660	DISPLAY PC BOARD [C] ICON T 2015+CABLE			
00C2	LAR17410690T1		CONTROL PANEL IC_T051-071-101 LAINOX (BLACK)			
00C2	LAR17410690T1A		CONTROL PANEL IC_T051-071-101 ALPHATECH-NEUTRAL (WHITE)			
00C3	LA69030460		KNOB ENCODER [C] D.60 ICON			
00C4	LA65302720	LAR65303200	ENCODER [C] ICON			
00C5	LA69010990	LAR69010990	KNOB [C] M5X10 CONTROL PANELS CLAMPING			
00C6	LA65321430	LAR65321430	CORE PROBE [C] K 6 PIN			
00E1	LA65280260	LAR65280260	ELECTRIC NOISE FILTER [C]			
00E2	LA65190081		CONDENSER [C] .5ÅµF V425-B UL			
00E4	LA65190241		CONDENSER [C] 10ÅµF C/OUT 4 FASTON 6,35 UL			
00E5	LA65070451		THERMOSTAT [C] 335Å°C			
00E6	LA65170100	LAR65170100	RELAY [C]			
00E8	LA65220360	LAR65220360	7 POLES TERMINAL BLOCK [C]			
00E9	LA65220091	LAR65220091	TERMINAL BLOCK [C] 3P+N+G			
00S1	LAR17108090		COMPLETE MAIN BOARD [C] ICON TOUCH			
00S2	LA65302670		MAIN BOARD [C] TOUCH ICON 2015			
00S3	LA65302680		BOARD [C] BUZZER S			
00S4	LA65180420		TRANSFORMER [C] 20VA 0-220-240/12V			
00S5	LA65210020	LAR65210020	FUSE HOLDER [C] 5X20			
0E10	LAR65187220		BALLAST [C] APV-12-24			
0E11	LA65140700	LAR65140700	CONTACTOR [C] 4KW-20A			
0E12	LA65060050	LAR65060050	FAN [C] D. 120			

Pos.	Code	Previous code	Description	Notes	From:	To:
0001	LAR58007050		WASHING HEAD [C]			
0002	LAR70045120		GASKET [C] MOB WASHING			
0003	LAR58007020		FLANGE [C] MOB WASHING			
0004	LAR65090260		GEARMOTOR [C]			
0005	LAR14171760		PIPE [C] DETERGENT WASHING ICON 051			
0006	LA62090888	LAR62090888	CONNECTION [C] JG 3WAY WASHING			
0007	LA62090528	LAR62090528	CONNECTION [C] 90° M/F D.10			
0008	LAR65110320		SOLENOID VALVE [C] 230V 50/60HZ 1 OUTLET JG CONNECTION D. 10			
0009	LA80150020	LAR80150020	TRANSPARENT POLIURETHANE PIPE [C] D. 8X6MM			
0010	LA62090498	LAR62090498	CONNECTION [C] 90° F/F D.8			
0011	LA62090608	LAR62090608	CONNECTION [C] JG M/M D.8-1/8			
0012	LAR65110600		PUMP [C] PULSE BIG 230V 50HZ			
0013	LA14171791		PIPE DETERGENT TANK			
0014	LA61630131	LAR61630131	FASTENING STRAP [C] PK D.8			
0015	LA80120060	LAR80120060	TRANSPARENT SILICONE PIPE [C] SR60/TR 7/12			