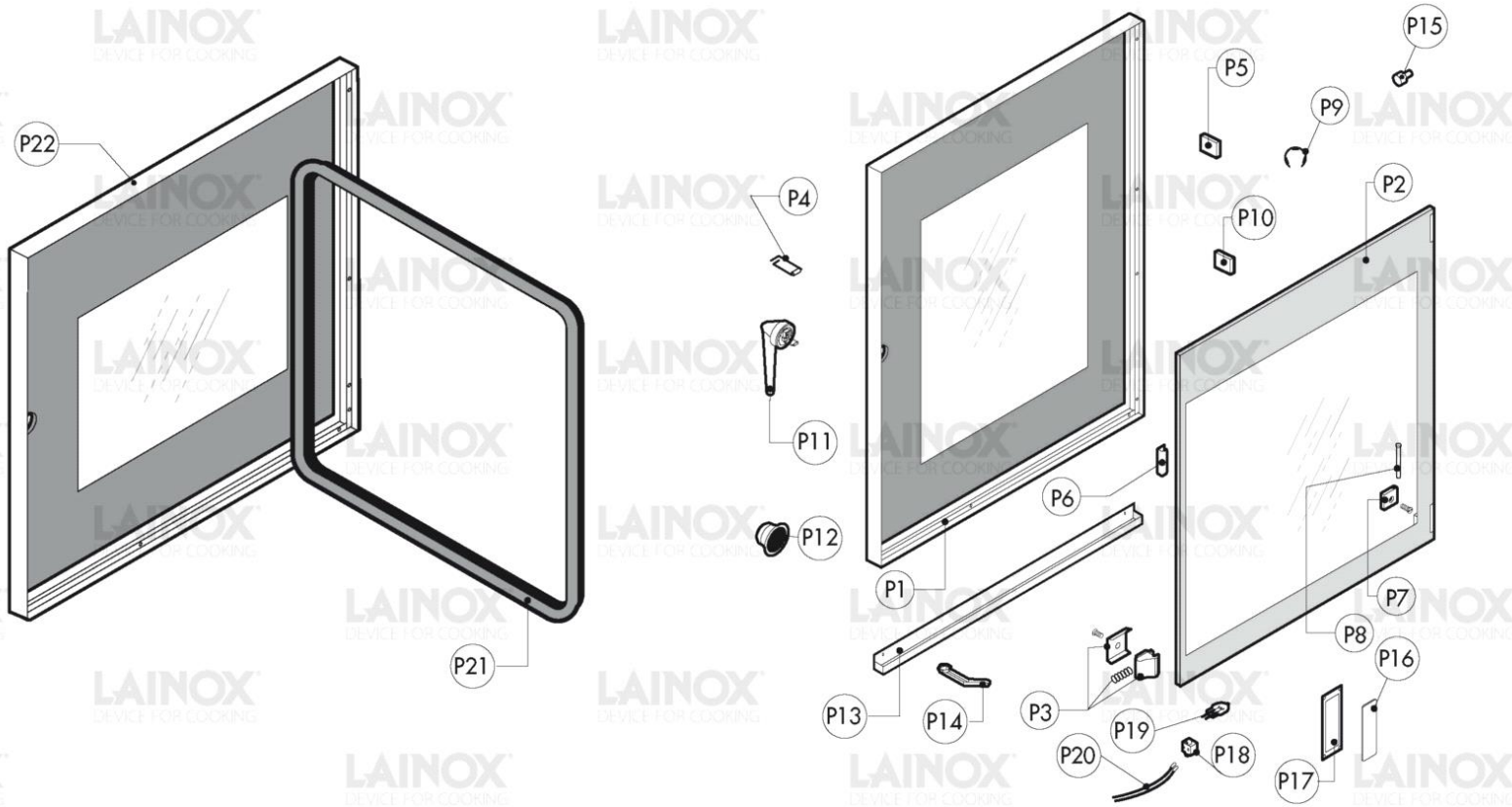


Warning! The exploded views refer to the general model

TAV.A ed.0614

Pos.	Code	Previous code	Description	Notes	From:	To:
0001	LA11207240	LAR11207240	LOWER HINGE KIT [C] M-V/061-101-102 2005			
0002	LAR10201700		FILTER [C] D.76/44.5 M/106-11			
0003	LA65090300	LAR65090300	ACTUATOR [C]			
0004	LA62070023	LAR62070023	BICONE [C] D. 6			
0005	LA11426830	LAR11426830	UPPER HINGE [C] FOR DOOR SR2013			
0006	LA65140730	LAR65140730	CONTACT [C]			
0007	LAR65260752		LIGHT CONTACT [C] SR.2014 - FLOOR OVEN			
0008	LA62280028	LAR62280028	CURVE [C]			
0009	LA58004050	LAR58004050	NUT [C]			
0010	LA62060223	LAR62060223	NUT [C] D. 6			
0011	LA65110200	LAR65110200	SOLENOID VALVE [C] 220V 50HZ 1 OUTLET JG CONNECTION			
0012	LAR65110230		SOLENOID VALVE [C] 2 OUTLETS 1P+1D J.G. 220V 50HZ			
0013	LA65280450	LAR65280450	FERRITE [C]			
0014	LA65280200		AIR FILTER [C]			
0015	LA75300150	LAR75300150	PROTECTION GRID [C] FAN D. 170			
0016	LAR70010050		GASKET [C] 7,60X2,62			
0017	LA70020020	LAR70020020	GASKET [C] 8X22			
0018	LA70050130	LAR70050130	GASKET [C] VENT PIPE D. 50			
0019	LA62030113	LAR62030118	COUPLING [C] BRASS REDUCTION			
0020	LA70060080		SILICONE COUPLING [C] D. 13X18X80			
0021	LA70060091	LAR70060090	SILICONE COUPLING [C] D. 24X30X40			
0022	LAR75300020		PLATE [C] FAN D. 120			
0023	LAR65260540		MICROSWITCH [C] DOOR			
0024	LA65220091	LAR65220091	TERMINAL BLOCK [C] 3P+N+G			
0025	LAR65041040		MOTOR [C] DOUBLE SPEED			
0026	LA69010260	LAR69010260	PRONG [C] 1 STEP			
0026	LAR69010270		DOOR LATCH 2 STEP [C]			
0027	LA65190081		CONDENSER [C] .5ÅµF V425-B UL			
0029	LA58002150	LAR58002150	UPPER PIN [C] HINGE M/106-220			
0030	LA58001850	LAR58001850	PIN [C] RACKS SUPPORT M5 MIXTER			
0031	LA65210020	LAR65210020	FUSE HOLDER [C] 5X20			
0032	LAR65240010		FAIRLEAD [C]			
0032	SIR0101302		PRESSACAVO	UL Version (USA-CAN)		
0033	LAR63070050		WATER PRESSURE SWITCH [C] 500/350 mbar -1/8			
0034	LA62090478	LAR62090478	CONNECTION [C] 90Å° F/F D.10			

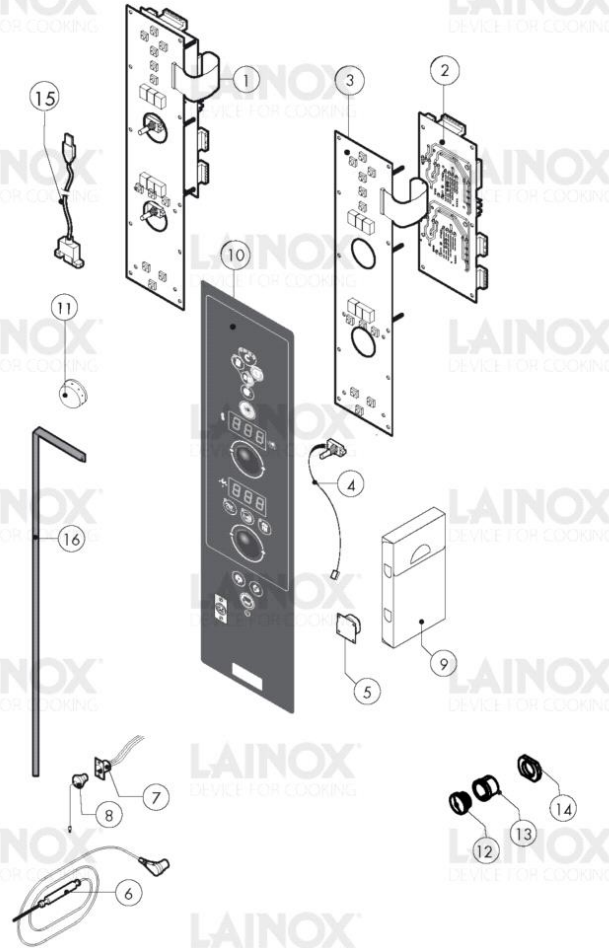
Pos.	Code	Previous code	Description	Notes	From:	To:
0035	LA62090458	LAR62090458	CONNECTION [C] JG STRAIGHT F/F D.10			
0036	LAR62090508		STRAIGHT CONNECTOR [C] END SIDE PIPE 10X1/4			
0037	LA65110580		FLOW REGULATOR [C] PINK 9LT/H			
0038	LA65170100	LAR65170100	RELAY [C]			
0039	LAR65011960		HEATING ELEMENT [C] 8000W 230V d. 8,5			
0039	LAR65011980		RESISTENZA 8000W208V D8.5 INC.CAM.K_061	UL Version 208V (USA-CAN)		
0039	LAR65011990		HEATING ELEMENT [C] 8000W277V D8.5 INC.CAM.K_061	UL Version 277V (USA-CAN 3AC 480V)		
0040	LAR58005500		SEAT [C]			
0041	LAR65320220		PROBE [C] K L. 1,5M			
0042	LA65140700	LAR65140700	CONTACTOR [C] 4KW-20A			
0043	LA65070350	LAR65070350	THERMOSTAT [C] 360Â°C N/S/L			
0043	LA65070370		THERMOSTAT [C] 360Â°C	UL Version (USA-CAN)		
0044	LA65180420		TRANSFORMER [C] 20VA 0-220-240/12V			
0044	LA65187110		TRANSFORMER [C] 40VA 2.5/12/24V	UL Version (USA-CAN)		
0045	LA80150000		PIPE [C] LIGHT BLUE D. 10X7MM			
0047	LA58006160		NOZZLE [C] D. 0,80			
0048	LA65060050	LAR65060050	FAN [C] D. 120			
0049	LA75400410		FAN [C] D. 180X77 50HZ	50Hz		
0049	LA75400430		FAN [C] D. 180X77 60HZ	60Hz		
0050	LA58006400	LAR58006400	SCREW [C]			



Warning! The exploded views refer to the general model

TAV.B ed.0614

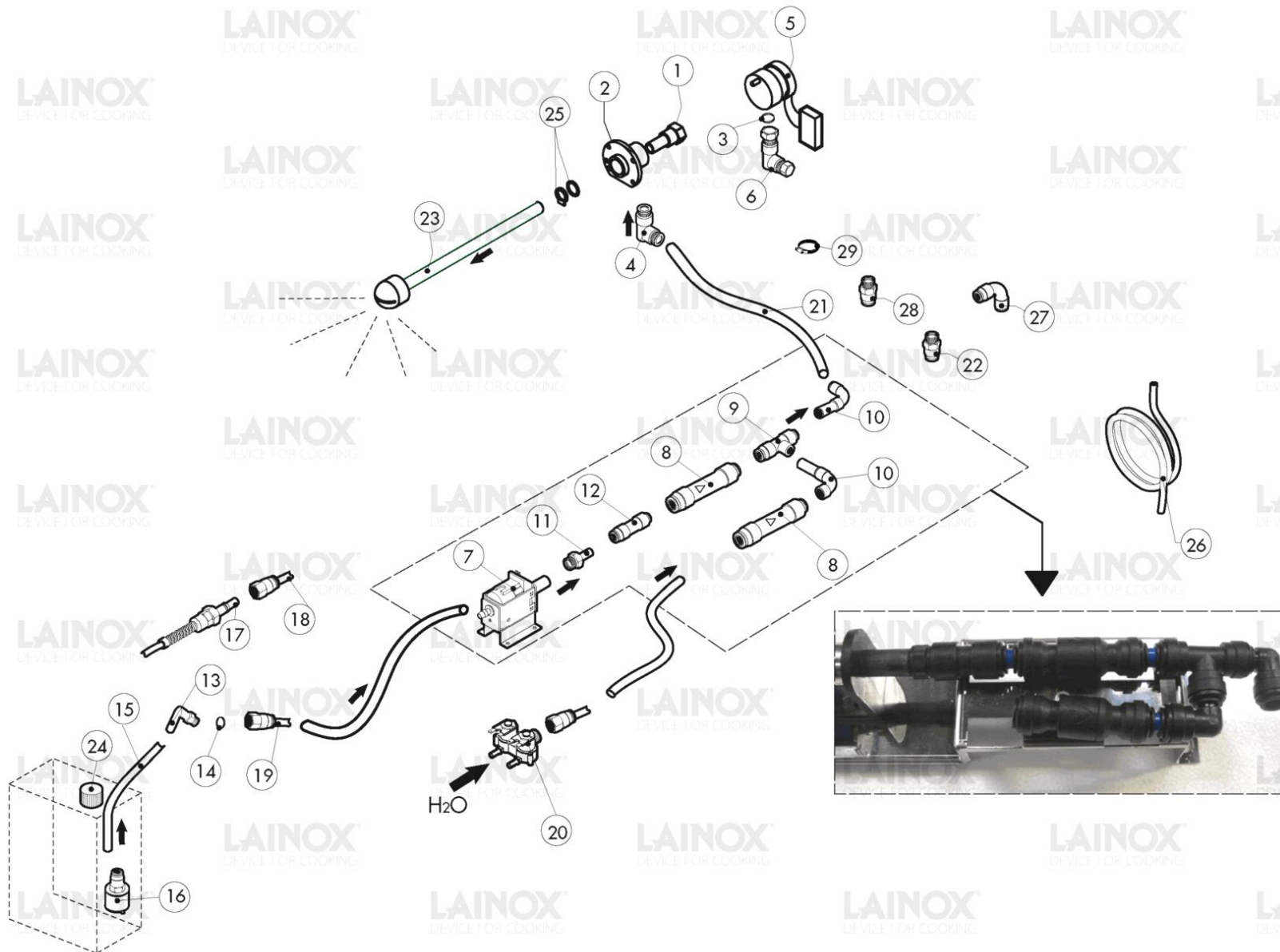
Pos.	Code	Previous code	Description	Notes	From:	To:
00P1	LAR18204760		EXTERIOR GLASS DOOR [C] K/C_061			
00P2	LAR71201570A		GLASS PLATE [C]			
00P3	LAR58001780		CATCH [C] DOOR GLASS			
00P4	LA61620132	LAR61620132	SPRING [C] PRONG HOOK			
00P5	LA18404520	LAR18404520	SPACER [C] GLASS PROTECTION			
00P6	LA11425830	LAR11425830	PROTECTION [C] GLASS DOOR 1SIDE40+1SIDE 15			
00P7	LA58001760	LAR58001760	HINGE [C] INTERNAL GLASS			
00P8	LA58001770	LAR58001770	PIN [C] GLASS HINGE SR2000			
00P9	LA61600031	LAR61600031	GASKET [C] D. 3,2			
0P10	LAR70050180		SPACER [C] GLASS PLATE 15X8 (min.10 pcs or multiples)			
0P11	LA69010440	LAR69010430	LOCK [C] 6303 2011			
0P12	LAR69010630		COVERING [C] GROUP 6303 CLOSING			
0P13	LA18204770	LAR18204770	DOOR CONTAINER [C] K_061			
0P14	LA69180011		WATER DRAIN [C] CONTAINER			
0P15	LA58001860	LAR58001860	PIN [C] RACKS SUPPORT			
0P16	LA71500150		GLASS PLATE [C]			
0P17	LA70044200		GASKET [C] BULB GLASS P2000			
0P18	LA65270450		LAMP HOLDER [C]			
0P19	LAR65270020	LA65270020	BULB [C] 12V 20W G4 (KIT 5 pcs.)			
0P20	LA66110310		DOOR LIGHTS CABLE SET [C] M-V/061			
0P21	LA70044342		GASKET [C] DOOR A/M-V-C/05			
0P22	LAR11103290		DOOR [C] K_061			



Warning! The exploded views refer to the general model

TAV.C ed.0614

Pos.	Code	Previous code	Description	Notes	From:	To:
0001	LA65302220	LAR65302220	COMPLETE BOARD [C] S COMPACT 2009 SANDWICH			
0002	LA65302280		MAIN BOARD [C] S COMPACT 2009			
0003	LA65302270	LAR65302270	RELAY PC BOARD [C] S COMPACT 2009 042-REV			
0004	LA65301941		ENCODER [C] COMPACT 2009			
0005	LA65302450	LAR65301960	BUZZER BOARD [C] OVEN S			
0006	LA65321500	LA65321470	CORE PROBE [C] 4 POINTS W.PLUG N/S			
0007	LA65321530		CONNECTOR [C] CORE PROBE 6 PIN. L=450			
0008	LA65321020	LAR65321020	CAP [C]			
0009	LAR86020420	LA86020400	CORE TEMPERATURE PROBE BOX [C]			
0011	LA69030280	LAR69030280	BLUE KNOB [C] ENCODER D. 42 FA 6264			
0012	LA65321290	LAR65321290	CAP [C]			
0013	LA65321250	LAR65321250	USB OUTLET BUSH [C]			
0014	LA58004380	LAR58004380	NUT [C]			
0015	LA65010350	LAR65010350	CONNECTING CABLE [C] BOARD/USB OUTLET HEART L. 750			
0016	LAR80100101		PROFILO GUARNIZIONE NERO 2CRISTALLI 5M			



Warning! The exploded views refer to the general model

TAV.D ed.0614

Pos.	Code	Previous code	Description	Notes	From:	To:
0001	LAR58007000		ROTATING PIN [C] MOB WASHING			
0002	LAR58007020		FLANGE [C] MOB WASHING			
0003	LA70010080	LAR70010080	GASKET [C]			
0004	LA62090663	LAR62090663	CONNECTION [C] 90° D.10-1/4			
0005	LAR65090250		GEARMOTOR [C]			3/20/2015
0006	LA62090633	LAR62090633	CURVED CONNECTOR [C] 10/10			
0007	LAR65110600		PUMP [C] PULSE BIG 230V 50HZ			
0008	LA65110680	LAR65110680	NON-RETURN VALVE [C]			
0009	LA62090468	LAR62090468	CONNECTION [C] T F/F/F JG D.10			
0010	LA62090528	LAR62090528	CONNECTION [C] 90° M/F D.10			
0011	LA62090608	LAR62090608	CONNECTION [C] JG M/M D.8-1/8			
0012	LA62090618	LAR62090618	STRAIGHT REDUCTION [C] D. 10-8			
0013	LA62090678	LAR62090678	CONNECTION [C] JG 90° M0,8 F0,8			
0014	LAR70010050		GASKET [C] 7,60X2,62			
0015	LA80150020	LAR80150020	TRANSPARENT POLIURETHANE PIPE [C] D. 8X6MM			
0016	LA65110650	LAR65110650	FOOT VALVE [C]			
0017	LA62090482	LAR62090482	QUICK MALE CONNECTOR [C]			
0018	LA62090638	LAR62090638	CONNECTOR [C] FEMALE WASHING SYSTEM			
0019	LA62090538	LAR62090538	CONNECTOR [C] 1/4PIPE 6X8			
0020	LAR65110210		SOLENOID VALVE [C] 2 WAYS 230V 50/60HZ OUT JG M D10			
0021	LA80150000		PIPE [C] LIGHT BLUE D. 10X7MM			
0022	LA62090688	LAR62090688	CONNECTION [C] RING NUT D. 8			
0023	LAR58007050		WASHING HEAD [C]			
0024	LA58005060	LAR58005060	CAP [C]			
0025	LAR70045120		GASKET [C] MOB WASHING			
0026	LA80150040	LAR70070080	RUBBER PIPE [C] FOOD D. INNER 13 D. EXTERIOR 23			
0027	LA62090478	LAR62090478	CONNECTION [C] 90° F/F D.10			
0028	LAR62090508		STRAIGHT CONNECTOR [C] END SIDE PIPE 10X1/4			