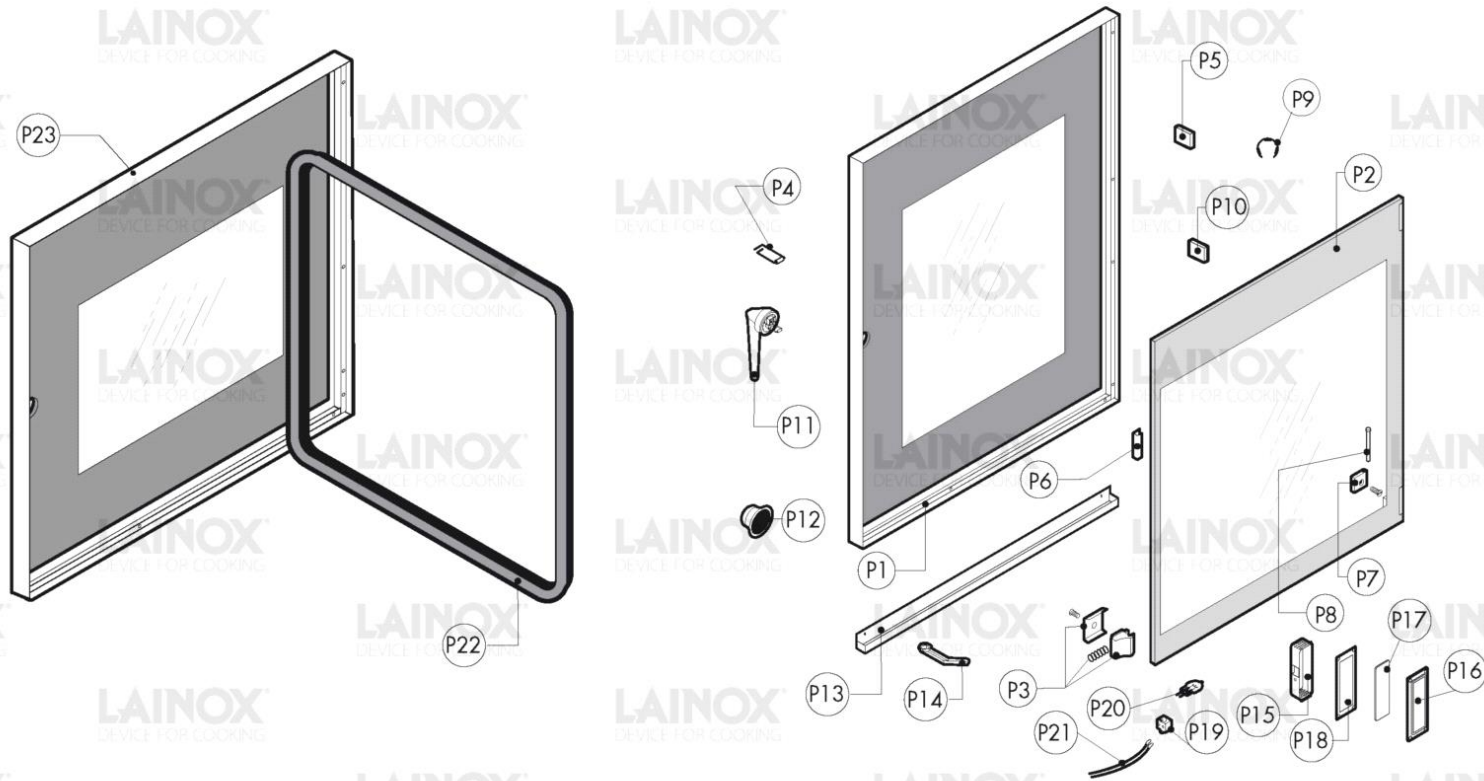


Warning! The exploded views refer to the general model

TAV.A ed.0614

Pos.	Code	Previous code	Description	Notes	From:	To:
0001	LA11207240	LAR11207240	LOWER HINGE KIT [C] M-V/061-101-102 2005			
0002	LAR69180150		DRAIN CONTAINER [C] H_061			
0003	LA62070023	LAR62070023	BICONE [C] D. 6			
0004	LA11426830	LAR11426830	UPPER HINGE [C] FOR DOOR SR2013			
0005	LA65140430	LAR65140430	CONTACT [C]			
0006	LAR65260750		CONTACT [C]			
0007	LA58003850	LAR58003850	COUNTER FLANGE [C]			
0008	LA62280038	LAR62280038	CURVE [C]			
0009	LA58004050	LAR58004050	NUT [C]			
0010	LA62060223	LAR62060223	NUT [C] D. 6			
0011	LA65110200	LAR65110200	SOLENOID VALVE [C] 220V 50HZ 1 OUTLET JG CONNECTION			
0012	LAR65110230		SOLENOID VALVE [C] 2 OUTLETS 1P+1D J.G. 220V 50HZ			
0013	LA65280490		FERRITE [C] TOROIDAL FT36			
0014	LA65280200		AIR FILTER [C]			
0015	LA69180250	LAR69180250	FILTER [C] DRIP COLLECTOR DRAIN			
0016	LA58003840	LAR58003840	FLANGE [C] GASKET			
0017	LA70010030	LAR70010030	GASKET [C] 6,07X1,78			
0018	LAR70010050		GASKET [C] 7,60X2,62			
0019	LA70020050	LAR70020050	GASKET [C]			
0020	LA70010210	LAR70010210	GASKET [C] 18,72X2,62			
0021	LA65070230		GASKET [C]			
0023	LA65140370	LAR65140370	KIT CONTACTOR REVERSAL [C] 4KW			
0024	LA62030113	LAR62030118	COUPLING [C] BRASS REDUCTION			
0025	LA70060080		SILICONE COUPLING [C] D. 13X18X80			
0026	LA70060020	LAR70060020	SILICONE COUPLING [C] D. 30X25X9			
0027	LA70060040	LAR70060040	SILICONE COUPLING [C] D. INNER 51 D. EXTERIOR 59			
0028	LA75300090	LAR75300090	PLATE [C] FAN D. 350			
0029	LA65220290	LAR65220290	TERMINAL BLOCK [C]			
0030	LAR65040520		MOTOR [C] 200/440V 0,55/0,15KW DOUBLE SPEED	(2 Speed)		
0030	LAR65040530		MOTOR [C] 200/440V 0,55KW ONE SPEED	(1 Speed)		
0031	LA69010260	LAR69010260	PRONG [C] 1 STEP			
0031	LAR69010270		DOOR LATCH 2 STEP [C]			
0032	LAR70030180		GRAPHITE GASKETS KIT [C] 80x50,3x3 SET 5 PIECES			
0033	LA58003140	LAR58003140	PIN [C] DEFLECTOR HOOK			
0034	LAR58000160		PIN [C] DEFLECTOR K_081-101-A20-201			

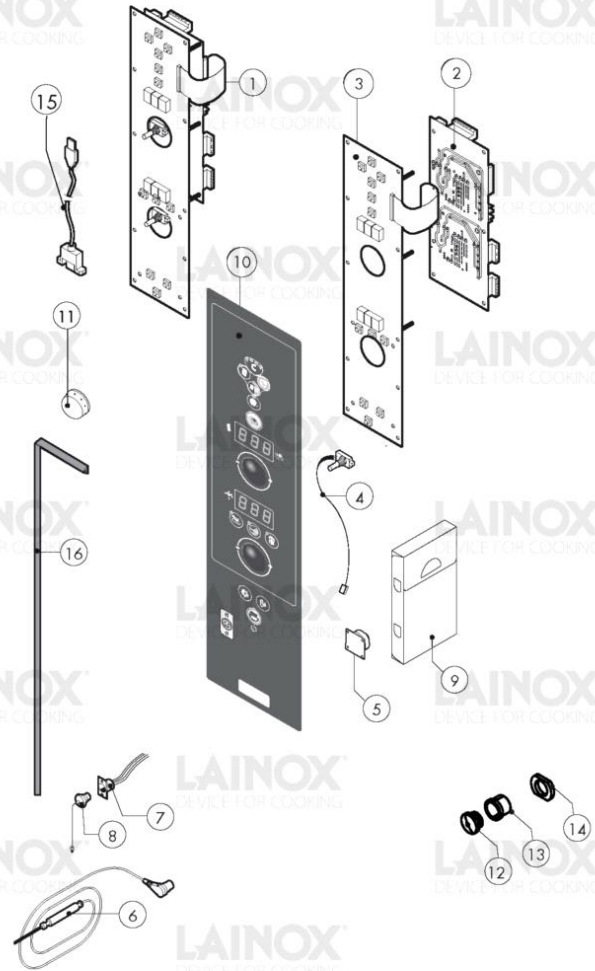
Pos.	Code	Previous code	Description	Notes	From:	To:
0036	LA58002150	LAR58002150	UPPER PIN [C] HINGE M/106-220			
0037	LA58001850	LAR58001850	PIN [C] RACKS SUPPORT M5 MIXTER			
0038	LA65210020	LAR65210020	FUSE HOLDER [C] 5X20			
0039	LAR65240030		FAIRLEAD [C]			
0040	LAR63070050		WATER PRESSURE SWITCH [C] 500/350 mbar -1/8			
0041	LAR65095000		RELEASE MOTOR [C] COMPLETE - 1 CAM			
0042	LA62090478	LAR62090478	CONNECTION [C] 90° F/F D.10			
0043	LAR62090508		STRAIGHT CONNECTOR [C] END SIDE PIPE 10X1/4			
0044	LA65110510	LAR65110510	MASS FLOW RED REGULATOR [C] 15L/H			
0045	LAR65011300		HEATING ELEMENT [C] 15000W 208V CHAMBER	UL Version 208V (USA-CAN)		
0045	LAR65011310		HEATING ELEMENT [C] 15000W 230V CHAMBER			
0045	LAR65011320		HEATING ELEMENT [C] 15000W 254V CAM VE/110	Marine Version 254V (3AC 440V)		
0045	LAR65011330		HEATING ELEMENT [C] 15000W277V CHAMBER	UL Version 277V (USA-CAN 3AC 480V)		
0046	LAR69180100		BOX [C] DRAIN PIPE H/MV 061-101-201			
0047	LA69180050	LAR69180050	BOX [C] MOTOR COOLING			
0048	LAR65320220		PROBE [C] K L. 1,5M			
0049	LA69150100	LAR69150100	CAP [C]			
0050	LA65140380	LAR65140380	CONTACTOR [C] 3RT1016-1AP02			
0051	LA65140400	LAR65140400	CONTACTOR [C] 3RT1025-1AL20			
0052	LA65160620	LAR65160620	HEAT-GUARD [C] 1,4-2,0			
0053	LA65070350	LAR65070350	THERMOSTAT [C] 360° N/S/L			
0053	LA65070370		THERMOSTAT [C] 360°	UL Version (USA-CAN)		
0054	LA65180420		TRANSFORMER [C] 20VA 0-220-240/12V			
0055	LA65180430		TRANSFORMER [C] 40VA 0-220-240/12V			
0055	LA65187110		TRANSFORMER [C] 40VA 2.5/12/24V	UL Version (USA-CAN)		
0056	LA80150000		PIPE [C] LIGHT BLUE D. 10X7MM			
0057	LA58006160		NOZZLE [C] D. 0,80			
0058	LA65060050	LAR65060050	FAN [C] D. 120			
0059	LA75400440	LAR75400440	FAN [C] D. 350X114 50HZ			
0061	LA58004000	LAR58004000	SCREW [C] M12X1.5			
0062	LA58004010	LAR58004010	WASHER [C] D. 30/12,5			
0063	LA61020562	LAR61020562	SCREW [C] M6X55 UNI 5737 - MINIMUM 10 PIECES OR MULTIPLE			
0064	LAR10100140		CAP [C] M/106-220			



Warning! The exploded views refer to the general model

TAV.B ed.0614

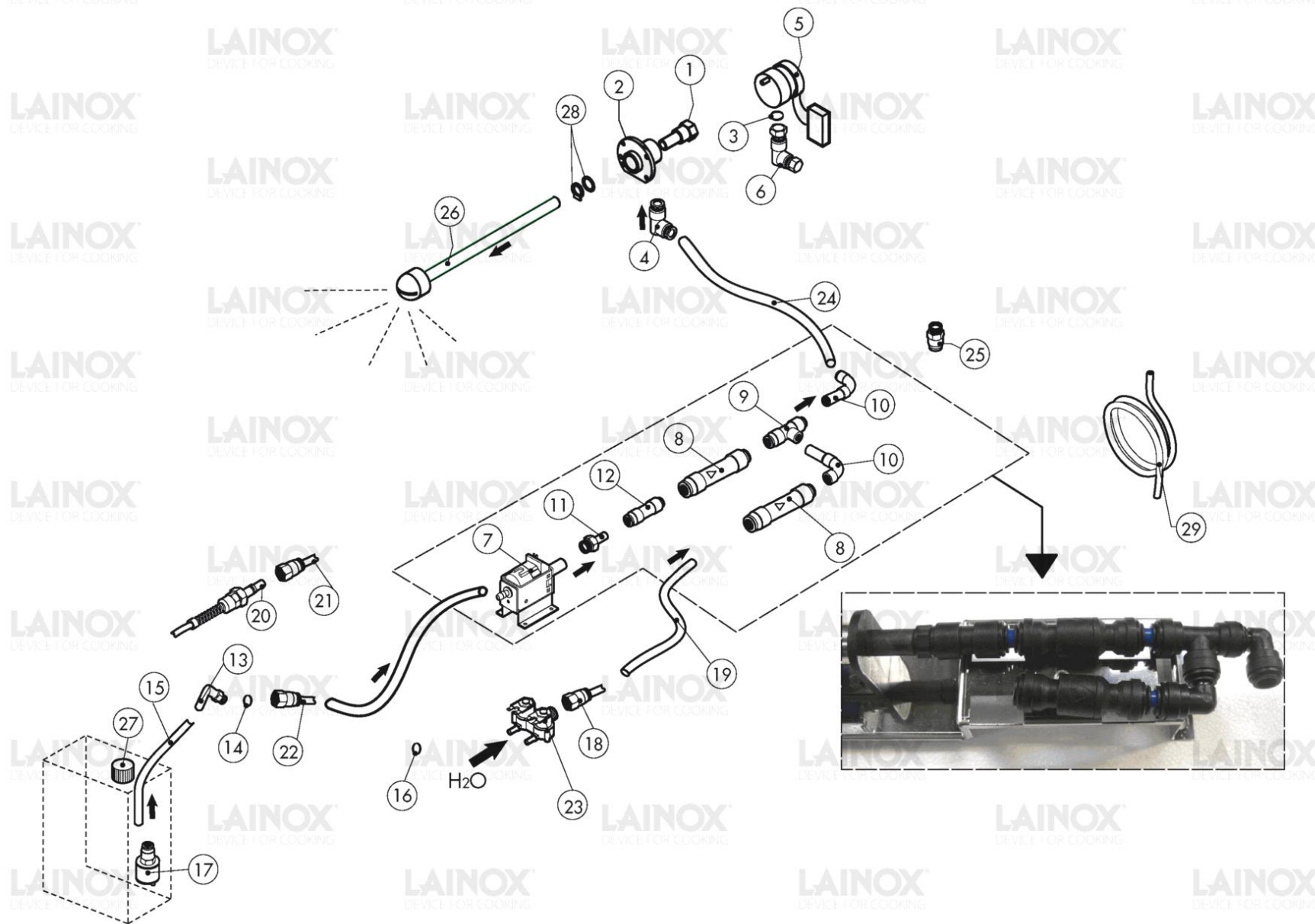
Pos.	Code	Previous code	Description	Notes	From:	To:
00P1	LAR11203060		EXTERIOR DOOR [C] K_101			
00P2	LAR71201040		GLASS PLATE [C]			
00P3	LAR58001780		CATCH [C] DOOR GLASS			
00P4	LA61620132	LAR61620132	SPRING [C] PRONG HOOK			
00P5	LA11420660	LAR11420660	FLANGE [C]			
00P6	LA11423460	LAR11423460	PROTECTION [C] DOOR GLASS K E T 2011			
00P7	LA58001760	LAR58001760	HINGE [C] INTERNAL GLASS			
00P8	LA58001770	LAR58001770	PIN [C] GLASS HINGE SR2000			
00P9	LA61600031	LAR61600031	GASKET [C] D. 3,2			
0P10	LAR70050180		SPACER [C] GLASS PLATE 15X8 (min.10 pcs or multiples)			
0P11	LA69010440	LAR69010430	LOCK [C] 6303 2011			
0P12	LAR69010630		COVERING [C] GROUP 6303 CLOSING			
0P13	LAR69180160		DOOR CONTAINER [C] H_061			
0P14	LA69180011		WATER DRAIN [C] CONTAINER			
0P15	LA11401440		LAMP COVER [C]			
0P16	LA11401450		FLANGE [C] BULB GLASS			
0P17	LA71500150		GLASS PLATE [C]			
0P18	LA70044200		GASKET [C] BULB GLASS P2000			
0P19	LA65270450		LAMP HOLDER [C]			
0P20	LAR65270020	LA65270020	BULB [C] 12V 20W G4 (KIT 5 pcs.)			
0P21	LA66110320		DOOR LIGHTS CABLE SET [C] MV101-102			
0P22	LA70044833		GUARNIZ.FACCIATA PORTA E_101 P.80100611			
0P23	LAR11102120		DOOR [C] K_101			



Warning! The exploded views refer to the general model

TAV.C ed.0614

Pos.	Code	Previous code	Description	Notes	From:	To:
0001	LAR65302100		COMPLETE BOARD [C] S 2009			
0002	LA65302250		MAIN BOARD [C] S 2009			
0003	LA65302240	LAR65302240	PC BOARD [C] S 2009			
0004	LA65301941		ENCODER [C] COMPACT 2009			
0005	LA65302450	LAR65301960	BUZZER BOARD [C] OVEN S			
0006	LA65321500	LA65321470	CORE PROBE [C] 4 POINTS W.PLUG N/S			
0007	LA65321530		CONNECTOR [C] CORE PROBE 6 PIN. L=450			
0008	LA65321020	LAR65321020	CAP [C]			
0009	LAR86020420	LA86020400	CORE TEMPERATURE PROBE BOX [C]			
0011	LA69030280	LAR69030280	BLUE KNOB [C] ENCODER D. 42 FA 6264			
0012	LA65321290	LAR65321290	CAP [C]			
0013	LA65321250	LAR65321250	USB OUTLET BUSH [C]			
0014	LA58004380	LAR58004380	NUT [C]			
0015	LA65010350	LAR65010350	CONNECTING CABLE [C] BOARD/USB OUTLET HEART L. 750			
0016	LAR80100101		PROFILO GUARNIZIONE NERO 2CRISTALLI 5M			



Warning! The exploded views refer to the general model

TAV.D ed.0614

Pos.	Code	Previous code	Description	Notes	From:	To:
0001	LAR58007000		ROTATING PIN [C] MOB WASHING			
0002	LAR58007020		FLANGE [C] MOB WASHING			
0003	LA70010080	LAR70010080	GASKET [C]			
0004	LA62090663	LAR62090663	CONNECTION [C] 90° D.10-1/4			
0005	LAR65090250		GEARMOTOR [C]			3/20/2015
0006	LA62090633	LAR62090633	CURVED CONNECTOR [C] 10/10			
0007	LAR65110600		PUMP [C] PULSE BIG 230V 50HZ			
0008	LA65110680	LAR65110680	NON-RETURN VALVE [C]			
0009	LA62090468	LAR62090468	CONNECTION [C] T F/F/F JG D.10			
0010	LA62090528	LAR62090528	CONNECTION [C] 90° M/F D.10			
0011	LA62090608	LAR62090608	CONNECTION [C] JG M/M D.8-1/8			
0012	LA62090618	LAR62090618	STRAIGHT REDUCTION [C] D. 10-8			
0013	LA62090678	LAR62090678	CONNECTION [C] JG 90° M0,8 F0,8			
0014	LAR70010050		GASKET [C] 7,60X2,62			
0015	LA80150020	LAR80150020	TRANSPARENT POLIURETHANE PIPE [C] D. 8X6MM			
0016	LA61420042		WASHER [C] 14X20X0,5			
0017	LA65110650	LAR65110650	FOOT VALVE [C]			
0018	LA62020118	LAR62020118	CONICAL NIPPLE [C] 1/4			
0019	LA80120060	LAR80120060	TRANSPARENT SILICONE PIPE [C] SR60/TR 7/12			
0020	LA62090482	LAR62090482	QUICK MALE CONNECTOR [C]			
0021	LA62090638	LAR62090638	CONNECTOR [C] FEMALE WASHING SYSTEM			
0022	LA62090538	LAR62090538	CONNECTOR [C] 1/4PIPE 6X8			
0023	LAR65110210		SOLENOID VALVE [C] 2 WAYS 230V 50/60HZ OUT JG M D10			
0024	LA80150000		PIPE [C] LIGHT BLUE D. 10X7MM			
0025	LA62090688	LAR62090688	CONNECTION [C] RING NUT D. 8			
0026	LAR58007080		WASHING HEAD [C] L=160 (1/1)			
0027	LA58005060	LAR58005060	CAP [C]			
0028	LAR70045120		GASKET [C] MOB WASHING			
0029	LA80150040	LAR70070080	RUBBER PIPE [C] FOOD D. INNER 13 D. EXTERIOR 23			