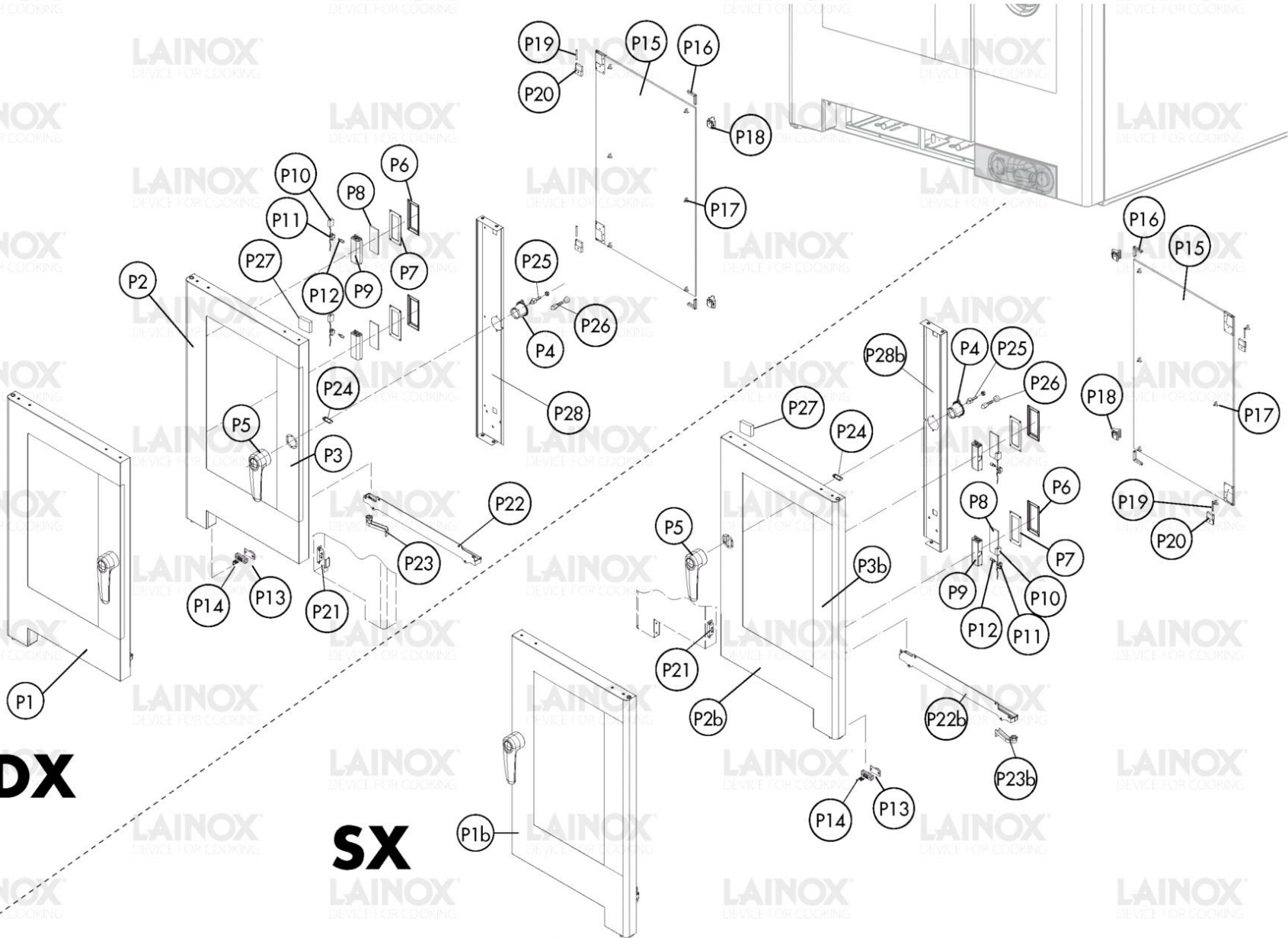


Warning! The exploded views refer to the general model

TAV. A

Pos.	Code	Previous code	Description	Notes	From:	To:
0001	LAR65040600		MOTOR [C] 220/240V 0,25KW ONE SPEED			
0001	LAR65041300		MOTOR [C] 230V 50/60HZ 0,25KW ONE SPEED	UL Version (USA-CAN)		
0002	LA58003870	LAR58003870	COUNTER FLANGE [C]			
0003	LA70020040	LAR70020040	GASKET [C]			
0004	LA58003860	LAR58003860	FLANGE [C] GASKET			
0005	LA75400570	LAR75400570	FAN [C] D.240X80/6 P.D. 50HZ . K_081 T07			
0006	LA61400052		WASHER [C] D. 10,5X21X2 - MINIMUM 10 PIECES OR MULTIPLE			
0007	LA70030200		GASKET [C] GRAPHITE HEATING ELEMENTS			
0008	LAR65011930		HEATING ELEMENT [C] 10000W 230V			
0008	LAR65011940		HEATING ELEMENT [C] 10000W 208V	UL Version 208V (USA-CAN)		
0008	LAR65011970		HEATING ELEMENT [C] 10000W 277V D.8,5	UL Version 277V (USA-CAN 3AC 480V)		
0009	LA70010370	LAR70010370	GASKET [C]			
0010	LAR58006690		CAP [C] SERIE 2014			
0011	LAR11200650		EXTENSION [C] VAPORISEUR M/061			
0012	LA14219610		PIPE [C] CONNECTOR HUMIDIFIER N/S_071 2017			
0013	LA62090908	LAR62090908	CONNECTION [C] JG STRAIGHT F/F D.10			
0014	LA80150060	LAR80150060	PIPE [C] PEX-B D. 10MM L.100M			
0015	LA62090528	LAR62090528	CONNECTION [C] 90° M/F D.10			
0016	LAR65110230		SOLENOID VALVE [C] 2 OUTLETS 1P+1D J.G. 220V 50HZ			3/2/2015
0016	LAR65110340		SOLENOID VALVE [C] 2 WAYS 230V 50/60HZ OUT JG F D10		3/3/2015	
0016	LAR65110780		SOLENOID VALVE [C] 230V50/60HZ	UL Version (USA-CAN)		
0017	LA62090518	LAR62090518	CONNECTOR [C] END SIDE PIPE 10X1/4			
0018	LAR70010050		GASKET [C] 7,60X2,62			
0019	LA62030113	LAR62030113	COUPLING [C] BRASS REDUCTION			
0020	LAR63070050		WATER PRESSURE SWITCH [C] 500/350 mbar -1/8			
0021	LAR65095000		RELEASE MOTOR [C] COMPLETE - 1 CAM			
0022	LAR14170570		PIPE [C] MOTORIZED VENT N/S071 T07			
0023	LAR70030180		GRAPHITE GASKETS KIT [C] 80x50,3x3 SET 5 PIECES			
0024	LAR65320220		PROBE [C] K L. 1,5M			
0025	LA62070023	LAR62070023	BICONE [C] D. 6			
0026	LA62060223	LAR62060223	NUT [C] D. 6			
0027	LAR14201030		DEFLECTOR [C] N/S071 2014			
0028	LA75300050	LAR75300050	PLATE [C] FAN D. 270 N/S071 2014			
0029	LAR58003110		PIN [C] DEFLECTOR CLAMPING			

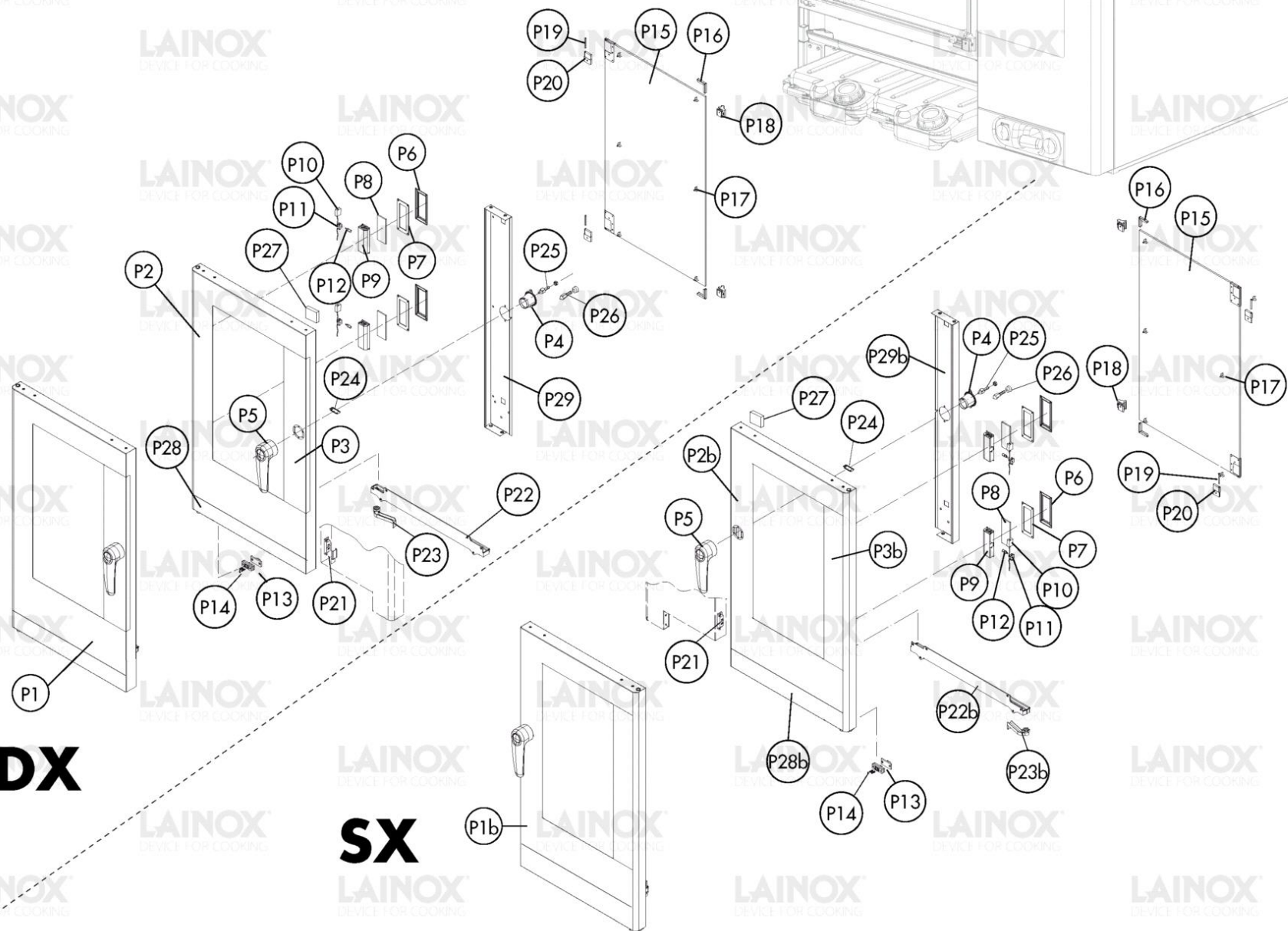
Pos.	Code	Previous code	Description	Notes	From:	To:
0030	LA14402130	LAR14402130	HINGE [C]			
0031	LA58000370	LAR58000370	PIN [C] UPPER HINGE			
0032	LA58004050	LAR58004050	NUT [C]			
0033	LA11207240	LAR11207240	LOWER HINGE KIT [C] M-V/061-101-102 2005			
0035	LA58000360	LAR58000360	NUT [C]			
0036	LA70048004	LA70048003	GUARNIZ.FACCIATA PORTA T07 P.80100612			
0037	LAR69180210		DRAIN CONTAINER [C] N/S071-101 2014			
0038	LA69180250	LAR69180250	FILTER [C] DRIP COLLECTOR DRAIN			
0039	LA14443100		RACK [C] GN N/S 071 7 LEVELS			
0040	LA65110560		VALVE [C] 220V 3/4	PolloGrill		
0040	LAR10201710		AIR FILTER [C] DRAIN M/210-12 D.86/44,5			
0041	LAR70030180		GRAPHITE GASKETS KIT [C] 80x50,3x3 SET 5 PIECES			
0042	LA70060040	LAR70060040	SILICONE COUPLING [C] D. INNER 51 D. EXTERIOR 59			
0043	LA70060080		SILICONE COUPLING [C] D. 13X18X80			
0044	LAR69180120		BOX [C] DRAIN PIPE G/MV T06-T10-T21			
0045	LA58000740		NOZZLE [C] D. 0,80	Su tubo scarico / On drain pipe		
0045	LA58006160		NOZZLE [C] D. 0,80	Su scatola condensazione / On quenching box		
0046	LA62090633	LAR62090633	CURVED CONNECTOR [C] 10/10			
0047	LA70050150	LAR70050150	GASKET [C] BOILER CAP			
0048	LA69150100	LAR69150100	CAP [C]			
0049	LA61630031	LAR61630031	ZINC CLAMP [C]- min. 10 pcs or multiples			
0050	LA62280038	LAR62280038	CURVE [C]			
0051	LAR65240030		FAIRLEAD [C]			



Warning! The exploded views refer to the general model

TAV. B - SCS

Pos.	Code	Previous code	Description	Notes	From:	To:
00P1	LAR14162600		DOOR [C] NA_071			
00P2	LAR14200760		EXTERIOR DOOR [C] NA_071			
00P3	LA67016541		DOOR COVER [C] W/HANDLE			
00P4	LAR69010630		COVERING [C] GROUP 6303 CLOSING			
00P5	LA69010190	LAR69010190	LOCK [C] 6303 N/S2014			
00P6	LA11401450		FLANGE [C] BULB GLASS			
00P7	LA70044200		GASKET [C] BULB GLASS P2000			
00P8	LA71500150		GLASS PLATE [C]			
00P9	LA11401440		LAMP COVER [C]			
0P10	LA66110310		DOOR LIGHTS CABLE SET [C] M-V/061			
0P11	LA65270450		LAMP HOLDER [C]			
0P12	LAR65270020	LA65270020	BULB [C] 12V 20W G4 (KIT 5 pcs.)			
0P13	LAR65260752		LIGHT CONTACT [C] SR.2014 - FLOOR OVEN			
0P14	LA61600031	LAR61600031	GASKET [C] D. 3,2			
0P15	LAR71202210		GLASS PLATE [C]			
0P15	LAR71202210A		GLASS PANEL [C] REAR 494*590*6 REVERSAL DOOR	PER PORTA INCERNIERATA A DX- FOR RIGHT HINGED DOOR		
0P16	LA11423460	LAR11423460	PROTECTION [C] DOOR GLASS K E T 2011			
0P17	LAR70050180		SPACER [C] GLASS PLATE 15X8 (min.10 pcs or multiples)			
0P18	LAR17406230		GLASS BLOCK [C]		8/13/2018	
0P18	LAR58001780		CATCH [C] DOOR GLASS			8/10/2018
0P19	LA58001770	LAR58001770	PIN [C] GLASS HINGE SR2000			
0P20	LA58001760	LAR58001760	HINGE [C] INTERNAL GLASS			
0P21	LAR65265100		MICROSWITCH [C] DOOR			
0P22	LAR69180220		DOOR CONTAINER [C] N/S071-101 2014			
0P23	LA69180011		WATER DRAIN [C] CONTAINER			
0P24	LA61620132	LAR61620132	SPRING [C] PRONG HOOK			
0P25	LA69010260	LAR69010260	PRONG [C] 1 STEP			
0P26	LAR69010270		DOOR LATCH 2 STEP [C]			
0P27	LA11420660	LAR11420660	FLANGE [C]			
0P3b	LA67016721		DOOR COVER [C] W/O HANDLE NA_071R-072R			
P23b	LA11202240	LAR11202240	WATER DRAIN [C] CONTAINER SR2000			

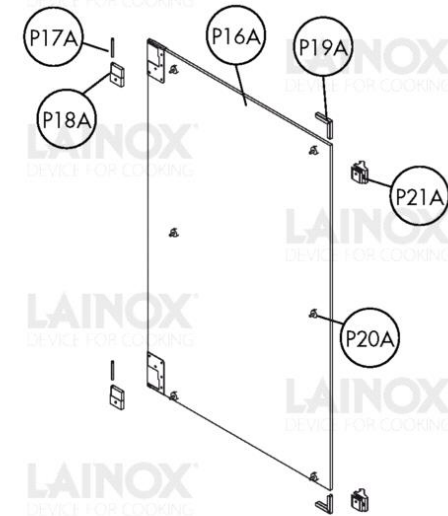
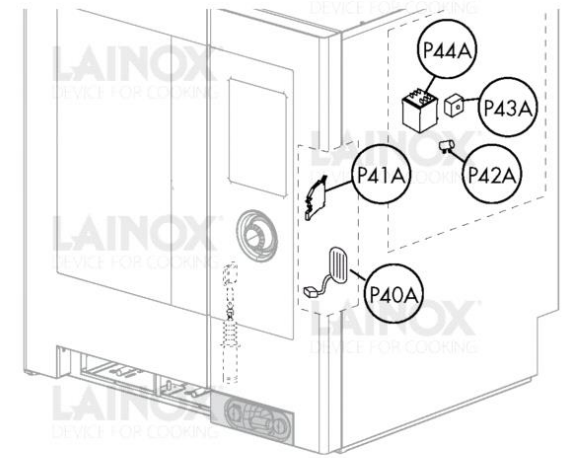
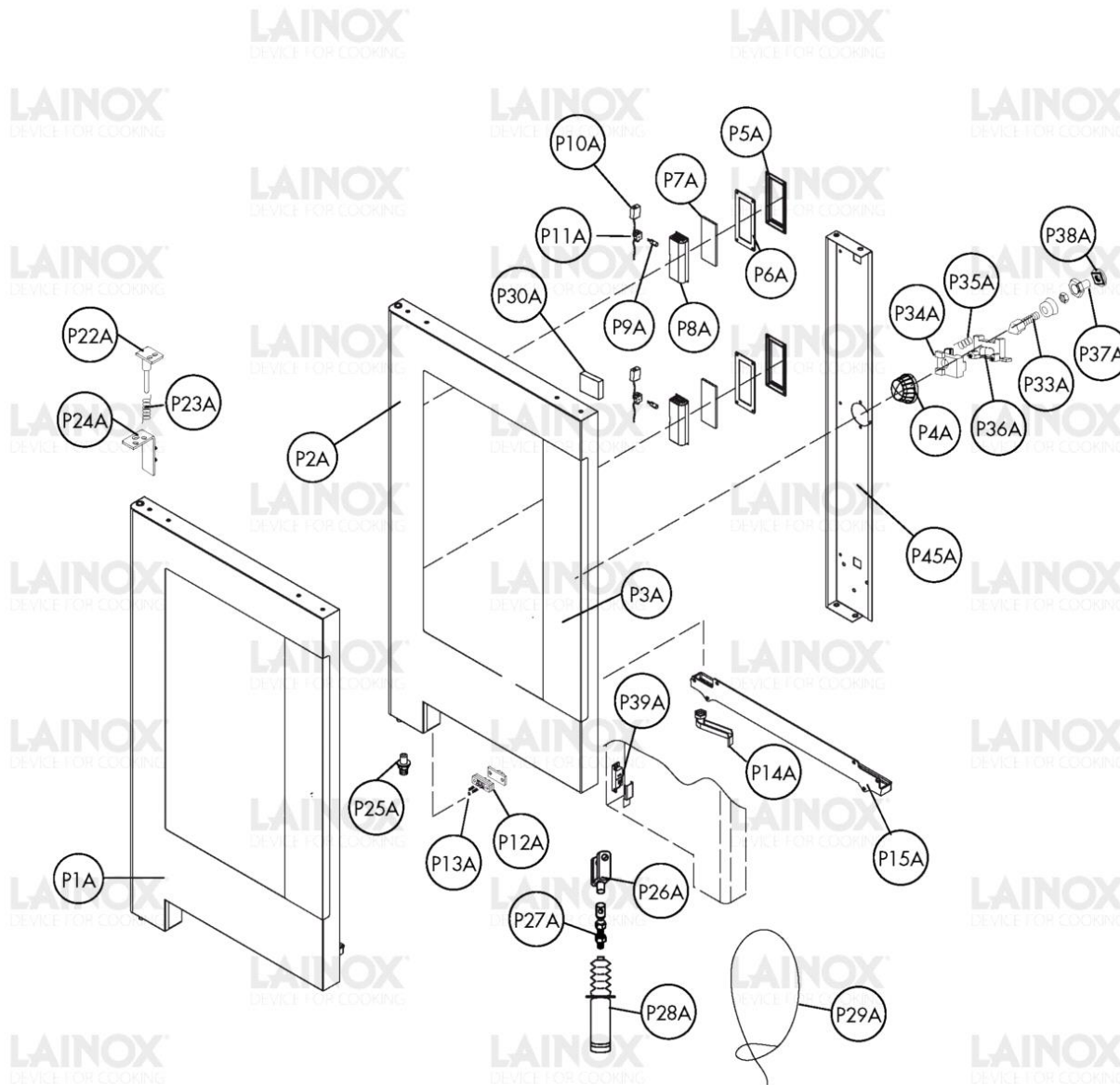


Warning! The exploded views refer to the general model

TAV. B - LCS

Pos.	Code	Previous code	Description	Notes	From:	To:
00P1	LAR14171320		DOOR [C] NA_071	HALOGEN		2/8/2019
00P1	LAR14182550		DOOR [C] NA_071 W/TANK LED	LED	2/11/2019	
00P2	LAR14203660		DOOR [C] EXTERNAL NA_071 WITH TANK	HALOGEN		2/8/2019
00P2	LAR14203660E		OUTER DOOR [C] NA_071 W/TANK LED	LED	2/11/2019	
00P3	LA67016541		DOOR COVER [C] W/HANDLE			
00P4	LAR69010630		COVERING [C] GROUP 6303 CLOSING			
00P5	LA69010190	LAR69010190	LOCK [C] 6303 N/S2014			
00P6	LA11401450		FLANGE [C] BULB GLASS			2/8/2019
00P6	LA65270590		LAMP [C] LED L=130MM 12V DC	REPLACE P6-P7-P8-P9-P11-P12	2/11/2019	
00P7	LA65270590		LAMP [C] LED L=130MM 12V DC	REPLACE P6-P7-P8-P9-P11-P12	2/11/2019	
00P7	LA70044200		GASKET [C] BULB GLASS P2000			2/8/2019
00P8	LA65270590		LAMP [C] LED L=130MM 12V DC	REPLACE P6-P7-P8-P9-P11-P12	2/11/2019	
00P8	LA71500150		GLASS PLATE [C]			2/8/2019
00P9	LA11401440		LAMP COVER [C]			2/8/2019
00P9	LA65270590		LAMP [C] LED L=130MM 12V DC	REPLACE P6-P7-P8-P9-P11-P12	2/11/2019	
0P10	LA66110310		DOOR LIGHTS CABLE SET [C] M-V/061			2/8/2019
0P10	LA66115800		CABLAGGIO LUCI PORTA M-V/061 .		2/11/2019	
0P11	LA65270450		LAMP HOLDER [C]			2/8/2019
0P11	LA65270590		LAMP [C] LED L=130MM 12V DC	REPLACE P6-P7-P8-P9-P11-P12	2/11/2019	
0P12	LA65270590		LAMP [C] LED L=130MM 12V DC	REPLACE P6-P7-P8-P9-P11-P12	2/11/2019	
0P12	LAR65270020	LA65270020	BULB [C] 12V 20W G4 (KIT 5 pcs.)			2/8/2019
0P13	LAR65260752		LIGHT CONTACT [C] SR.2014 - FLOOR OVEN			
0P14	LA61600031	LAR61600031	GASKET [C] D. 3,2			
0P15	LAR71202210		GLASS PLATE [C]			
0P15	LAR71202210A		GLASS PANEL [C] REAR 494*590*6 REVERSAL DOOR	PER PORTA INCERNIERATA A DX-FOR RIGHT HINGED DOOR		
0P16	LA11423460	LAR11423460	PROTECTION [C] DOOR GLASS K E T 2011			
0P17	LAR70050180		SPACER [C] GLASS PLATE 15X8 (min.10 pcs or multiples)			
0P18	LAR17406230		GLASS BLOCK [C]		8/13/2018	
0P18	LAR58001780		CATCH [C] DOOR GLASS			8/10/2018
0P19	LA58001770	LAR58001770	PIN [C] GLASS HINGE SR2000			

Pos.	Code	Previous code	Description	Notes	From:	To:
0P1b	LAR14173580		PORTA CONTR.COMPLETA NA_071 C/TANICHE PORTA CONTR.COMPLETA NA_071 C/TANICHE	HALOGEN		2/8/2019
0P1b	LAR14182630		PORTA CONTR.COMPLETA NA_071 C/TAN LED PORTA CONTR.COMPLETA NA_071 C/TAN LED	LED	2/11/2019	
0P20	LA58001760	LAR58001760	HINGE [C] INTERNAL GLASS			
0P21	LAR65265100		MICROSWITCH [C] DOOR			
0P22	LAR69180220		DOOR CONTAINER [C] N/S071-101 2014			
0P23	LA69180011		WATER DRAIN [C] CONTAINER			
0P24	LA61620132	LAR61620132	SPRING [C] PRONG HOOK			
0P25	LA69010260	LAR69010260	PRONG [C] 1 STEP			
0P26	LAR69010270		DOOR LATCH 2 STEP [C]			
0P27	LA11420660	LAR11420660	FLANGE [C]			
0P28	LA67017890		DOOR COVER [C] N071/101 W/TANK			
0P29	LAR14408140		MON.DX INT.PORTA N/S071-072 C/TAN.C/CLIP			
0P2b	LAR14204080		OUTER DOOR [C] REVERSE NA_071 W/TANK	HALOGEN		2/8/2019
0P2b	LAR14204080E		PORTA ESTERNA CONTRARIA NA_071 C/TAN LED	LED	2/11/2019	
0P3b	LA67016721		DOOR COVER [C] W/O HANDLE NA_071R-072R			
P22b	LAR14202061		TRAY [C] LH DOOR N/S071-101 2014			
P23b	LA11202240	LAR11202240	WATER DRAIN [C] CONTAINER SR2000			
P28b	LA67017890		DOOR COVER [C] N071/101 W/TANK			



Warning! The exploded views refer to the general model

TAV. B - NAA - SCS

Pos.	Code	Previous code	Description	Notes	From:	To:
OP1A	LAR14162610		AUTOMATIC DOOR [C] NA_071			
OP2A	LAR14218100		EXTERIOR AUTOMATIC DOOR [C] NA_071			
OP3A	LA67016721		DOOR COVER [C] W/O HANDLE NA_071R-072R			
OP4A	LA14218140	LAR14218140	COVER [C]			
OP5A	LA11401450		FLANGE [C] BULB GLASS			
OP6A	LA70044200		GASKET [C] BULB GLASS P2000			
OP7A	LA71500150		GLASS PLATE [C]			
OP8A	LA11401440		LAMP COVER [C]			
OP9A	LAR65270020	LA65270020	BULB [C] 12V 20W G4 (KIT 5 pcs.)			
P10A	LA66110310		DOOR LIGHTS CABLE SET [C] M-V/061			
P11A	LA65270450		LAMP HOLDER [C]			
P12A	LAR65260752		LIGHT CONTACT [C] SR.2014 - FLOOR OVEN			
P13A	LA61600031	LAR61600031	GASKET [C] D. 3,2			
P14A	LA69180011		WATER DRAIN [C] CONTAINER			
P15A	LAR69180220		DOOR CONTAINER [C] N/S071-101 2014			
P16A	LAR71202210		GLASS PLATE [C]			
P17A	LA58001770	LAR58001770	PIN [C] GLASS HINGE SR2000			
P18A	LA58001760	LAR58001760	HINGE [C] INTERNAL GLASS			
P19A	LA11423460	LAR11423460	PROTECTION [C] DOOR GLASS K E T 2011			
P20A	LAR70050180		SPACER [C] GLASS PLATE 15X8 (min.10 pcs or multiples)			
P21A	LAR17406230		GLASS BLOCK [C]		8/13/2018	
P21A	LAR58001780		CATCH [C] DOOR GLASS			8/10/2018
P22A	LA14218130		PIN [C]			
P23A	BN1412083		RIGHT SPRING BLIND DOORS CABINETS			
P24A	LA14402400		UPPER HINGE [C] FOR DOOR N/S 2014			
P25A	LA58007180	LAR58007180	LOWER PIN [C] HINGE			
P26A	LA61660110	LAR61660110	FORK [C]			
P27A	LA61660120	LAR61660120	AXIAL CONNECTOR [C] SM6			
P28A	LA65090310	LAR65090310	ACTUATOR [C]			
P29A	LAR85340022C		STEEL CABLE [C] FOR AUTOMATIC DOOR NA_071-72			
P30A	LA11420660	LAR11420660	FLANGE [C]			
P33A	LAR69010850		PRONG [C] L. 28,5			6/8/2014
P33A	LAR69010860		PRONG [C] L. 28,5		6/9/2014	
P34A	LA58007220	LAR58007220	CATCH [C] SPRING			
P35A	LA61620132	LAR61620132	SPRING [C] PRONG HOOK			6/8/2014
P35A	LA61620152	LAR61620152	SPRING [C] PRONG HOOK		6/9/2014	

Pos.	Code	Previous code	Description	Notes	From:	To:
P36A	LA58007170	LAR58007170	SUPPORT [C] SPRING TRIP WITH LEVER			
P37A	LA58007200	LAR58007200	BUSH [C] EXTERNAL AUTOM. RELEASE			
P38A	LA58007190	LAR58007190	INTERIOR BUSH [C] FOR AUTOMATIC RELEASE			
P39A	LAR65265100		MICROSWITCH [C] DOOR			
P40A	LA67016871		BUTTON [C] AUTOMATIC DOOR N RELOADED			
P41A	LA65210020	LAR65210020	FUSE HOLDER [C] 5X20			
P42A	LA61660130	LAR61660130	TERMINAL [C]			
P43A	LA65301760	LAR65301760	DIODE BRIDGE [C]			
P44A	LA65170100	LAR65170100	RELAY [C]			

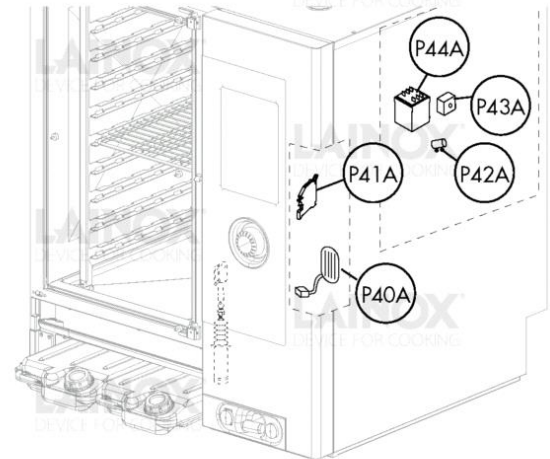
LAINOX
DEVICE FOR COOKING

LAINOX
DEVICE FOR COOKING

LAINOX
DEVICE FOR COOKING

LAINOX
DEVICE FOR COOKING

LAINOX
DEVICE FOR COOKING



LAINOX
DEVICE FOR COOKING

LAINOX
DEVICE FOR COOKING

LAINOX
DEVICE FOR COOKING

LAINOX
DEVICE FOR COOKING

LAINOX
DEVICE FOR COOKING

LAINOX
DEVICE FOR COOKING

LAINOX
DEVICE FOR COOKING

LAINOX
DEVICE FOR COOKING

LAINOX
DEVICE FOR COOKING

LAINOX
DEVICE FOR COOKING

LAINOX
DEVICE FOR COOKING

LAINOX
DEVICE FOR COOKING

LAINOX
DEVICE FOR COOKING

LAINOX
DEVICE FOR COOKING

LAINOX
DEVICE FOR COOKING

LAINOX
DEVICE FOR COOKING

LAINOX
DEVICE FOR COOKING

LAINOX
DEVICE FOR COOKING

LAINOX
DEVICE FOR COOKING

LAINOX
DEVICE FOR COOKING

LAINOX
DEVICE FOR COOKING

LAINOX
DEVICE FOR COOKING

LAINOX
DEVICE FOR COOKING

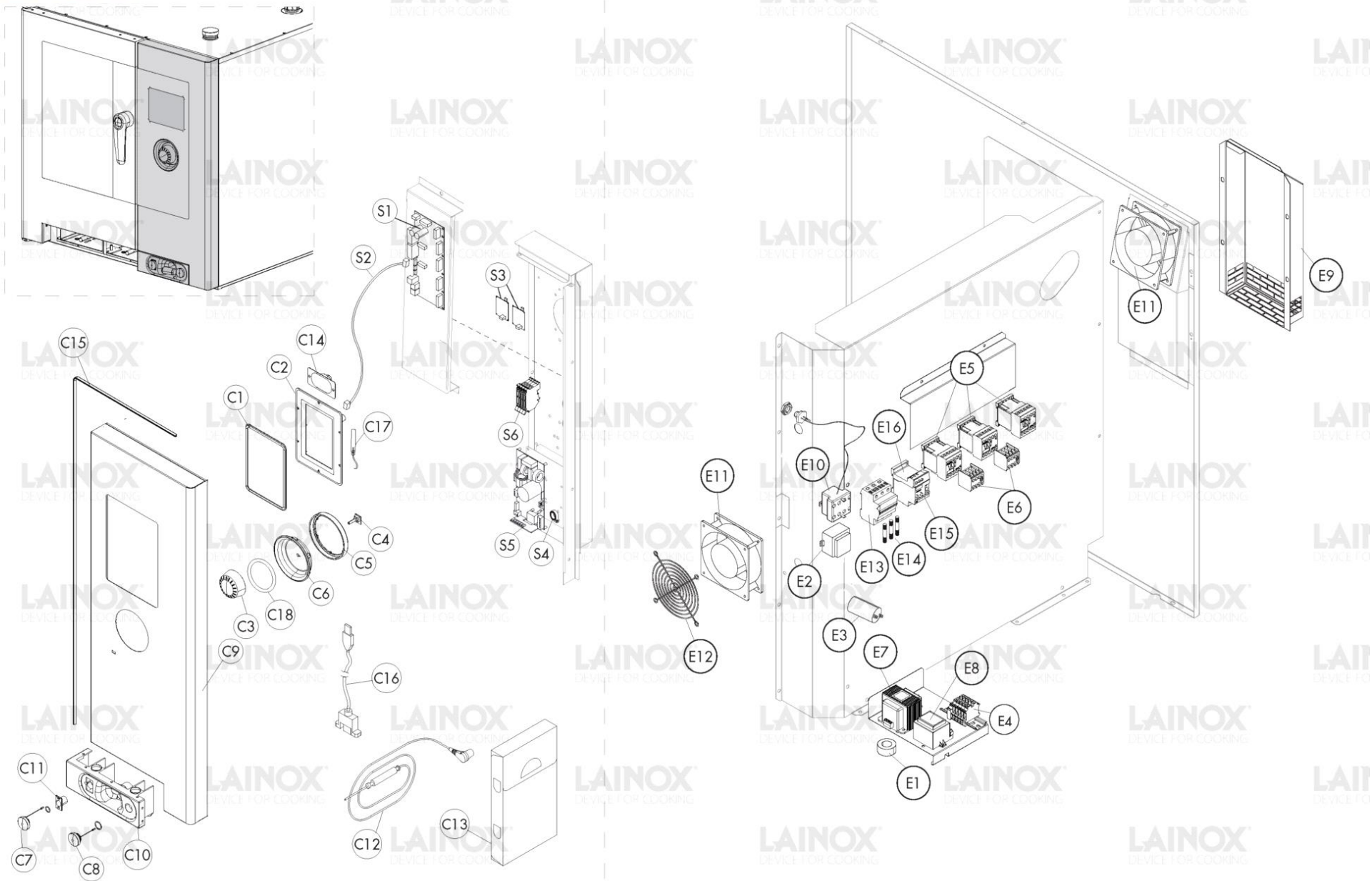
LAINOX
DEVICE FOR COOKING

Warning! The exploded views refer to the general model

TAV. B - NAA - LCS

Pos.	Code	Previous code	Description	Notes	From:	To:
0P1A	LAR14171330		AUTOMATIC DOOR [C] NA_071	HALOGEN		2/8/2019
0P1A	LAR14182560		PORTA AUTOMAT.COMPLETA NA_071 C/TAN LED PORTA AUTOMAT.COMPLETA NA_071 C/TAN LED	LED	2/11/2019	
0P2A	LAR14203860		OUTER DOOR [C] 071 AUTOM. OPENING W/TANK	HALOGEN		2/8/2019
0P2A	LAR14203860E		OUTER DOOR [C] NA_071 W/TANK LED AUTOM.	LED	2/11/2019	
0P3A	LA67016721		DOOR COVER [C] W/O HANDLE NA_071R-072R			
0P4A	LA14218140	LAR14218140	COVER [C]			
0P5A	LA11401450		FLANGE [C] BULB GLASS			2/8/2019
0P5A	LA65270590		LAMP [C] LED L=130MM 12V DC	REPLACE P5A-P6A-P7A-P8A-P9A-P11A	2/11/2019	
0P6A	LA65270590		LAMP [C] LED L=130MM 12V DC	REPLACE P5A-P6A-P7A-P8A-P9A-P11A	2/11/2019	
0P6A	LA70044200		GASKET [C] BULB GLASS P2000			2/8/2019
0P7A	LA65270590		LAMP [C] LED L=130MM 12V DC	REPLACE P5A-P6A-P7A-P8A-P9A-P11A	2/11/2019	
0P7A	LA71500150		GLASS PLATE [C]			2/8/2019
0P8A	LA11401440		LAMP COVER [C]			2/8/2019
0P8A	LA65270590		LAMP [C] LED L=130MM 12V DC	REPLACE P5A-P6A-P7A-P8A-P9A-P11A	2/11/2019	
0P9A	LA65270590		LAMP [C] LED L=130MM 12V DC	REPLACE P5A-P6A-P7A-P8A-P9A-P11A	2/11/2019	
0P9A	LAR65270020	LA65270020	BULB [C] 12V 20W G4 (KIT 5 pcs.)			2/8/2019
P10A	LA66110310		DOOR LIGHTS CABLE SET [C] M-V/061			2/8/2019
P10A	LA66115800		CABLAGGIO LUCI PORTA M-V/061		2/11/2019	
P11A	LA65270450		LAMP HOLDER [C]			2/8/2019
P11A	LA65270590		LAMP [C] LED L=130MM 12V DC	REPLACE P5A-P6A-P7A-P8A-P9A-P11A	2/11/2019	
P12A	LAR65260752		LIGHT CONTACT [C] SR.2014 - FLOOR OVEN			
P13A	LA61600031	LAR61600031	GASKET [C] D. 3,2			
P14A	LA69180011		WATER DRAIN [C] CONTAINER			
P15A	LAR69180220		DOOR CONTAINER [C] N/S071-101 2014			
P16A	LAR71202210		GLASS PLATE [C]			
P17A	LA58001770	LAR58001770	PIN [C] GLASS HINGE SR2000			
P18A	LA58001760	LAR58001760	HINGE [C] INTERNAL GLASS			
P19A	LA11423460	LAR11423460	PROTECTION [C] DOOR GLASS K E T 2011			
P20A	LAR70050180		SPACER [C] GLASS PLATE 15X8 (min.10 pcs or multiples)			
P21A	LAR17406230		GLASS BLOCK [C]		8/13/2018	
P21A	LAR58001780		CATCH [C] DOOR GLASS			8/10/2018
P22A	LA14218130		PIN [C]			

Pos.	Code	Previous code	Description	Notes	From:	To:
P23A	BN1412083		RIGHT SPRING BLIND DOORS CABINETS			
P24A	LA14402400		UPPER HINGE [C] FOR DOOR N/S 2014			
P25A	LA58007180	LAR58007180	LOWER PIN [C] HINGE			
P26A	LA61660110	LAR61660110	FORK [C]			
P27A	LA61660120	LAR61660120	AXIAL CONNECTOR [C] SM6			
P28A	LA65090310	LAR65090310	ACTUATOR [C]			
P29A	LAR85340022C		STEEL CABLE [C] FOR AUTOMATIC DOOR NA_071-72			
P30A	LA11420660	LAR11420660	FLANGE [C]			
P33A	LAR69010850		PRONG [C] L. 28,5			6/8/2014
P33A	LAR69010860		PRONG [C] L. 28,5		6/9/2014	
P34A	LA58007220	LAR58007220	CATCH [C] SPRING			
P35A	LA61620132	LAR61620132	SPRING [C] PRONG HOOK			6/8/2014
P35A	LA61620152	LAR61620152	SPRING [C] PRONG HOOK		6/9/2014	
P36A	LA58007170	LAR58007170	SUPPORT [C] SPRING TRIP WITH LEVER			
P37A	LA58007200	LAR58007200	BUSH [C] EXTERNAL AUTOM. RELEASE			
P38A	LA58007190	LAR58007190	INTERIOR BUSH [C] FOR AUTOMATIC RELEASE			
P39A	LAR65265100		MICROSWITCH [C] DOOR			
P40A	LA67016871		BUTTON [C] AUTOMATIC DOOR N RELOADED			
P41A	LA65210020	LAR65210020	FUSE HOLDER [C] 5X20			
P42A	LA61660130	LAR61660130	TERMINAL [C]			
P43A	LA65301760	LAR65301760	DIODE BRIDGE [C]			
P44A	LA65170100	LAR65170100	RELAY [C]			
P45A	LA67017890		DOOR COVER [C] N071/101 W/TANK			

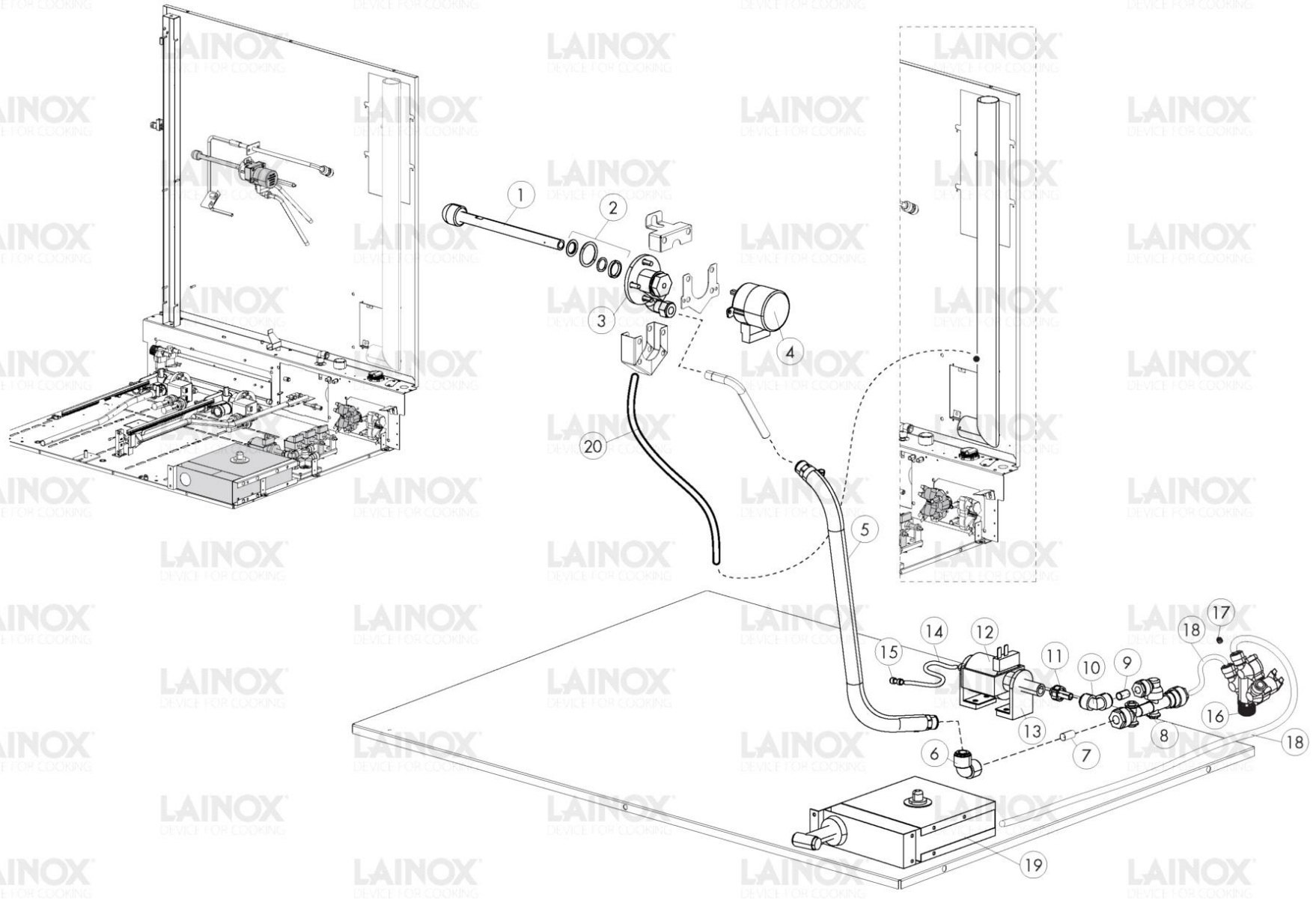


Warning! The exploded views refer to the general model

TAV. C

Pos.	Code	Previous code	Description	Notes	From:	To:
00C1	LA70040030	LAR70040030	GASKET [C] DYSPLAY 10			
00C2	LAR65302490		BOARD [C] DISPLAY NABOO + FRAME			
00C2	LAR65302590		BOARD [C] DISPLAY NABOO + FRAME + ETHERNET	Ethernet		
00C3	LA69030241		ENCODER KNOB [C] D.70 BLACK N			
00C4	LA65302501		ENCODER [C] PUSH NABOO [C] + WIRE L= 60CM			
00C5	LA69030330	LAR69030330	COUNTER FLANGE [C]			
00C6	LA69030320	LAR69030320	RING NUT [C] D. 116			
00C7	LA65321310	LAR65321310	CAP [C] USB SOCKET N/S			
00C8	LA65321331		CAP [C] PROBE SOCKET 2020			
00C9	LAR14200690		FRONT PANEL ASSEMBLY [C] N071 2014			
00E1	LA65280490		FERRITE [C] TOROIDAL FT36			
00E2	LA65450211		INDUCTOR [C] 27 mH 8A			
00E3	LA65280230	LAR65280230	AIR FILTER [C]			
00E4	LA65220091	LAR65220091	TERMINAL BLOCK [C] 3P+N+G			
00E5	LA65140380	LAR65140380	CONTACTOR [C] 3RT1016-1AP02			8/15/2016
00E5	LA65140400	LAR65140400	CONTACTOR [C] 3RT1025-1AL20			8/15/2016
00E5	LA65140900		CONTACTOR [C] 3RT2016-1AP02		8/16/2016	
00E5	LA65140910		CONTACTOR [C]		8/16/2016	
00E6	LA65140420	LAR65140420	CONTACT [C] 1L+1R 3RH1911-1FA11			8/15/2016
00E6	LA65140930	LAR65140930	CONTACT [C] 1L+1R 3RH2911-1HA11		8/16/2016	
00E7	LA65180430		TRANSFORMER [C] 40VA 0-220-240/12V			
00E7	LA65187110		TRANSFORMER [C] 40VA 2.5/12/24V	UL Version (USA-CAN)		
00E8	LA65180420		TRANSFORMER [C] 20VA 0-220-240/12V			2/8/2019
00E8	LA65187110		TRANSFORMER [C] 40VA 2.5/12/24V	UL Version (USA-CAN)		2/8/2019
00E8	LA65187261		ALIMENTATORE LED APV-12-12 C/NTC	LED	2/11/2019	
00E9	LA14424581		BOX [C] AIR CONVEYOR			
00S1	LA65303620		BOARD [C] BASE NABOO 2022			
00S2	LA65301750	LAR65301750	CABLE [C] SERIAL RJ45 L. 600			
00S3	LA65302530	LAR65302530	EXPANSION BOAD [C] WASHING NABOO			
00S4	LA65280480	LAR65280480	FERRITE [C]			
00S5	LAR65140090		INVERTER [C] 0,8KW UL	UL Version (USA-CAN)		
00S5	LAR65140100		INVERTER 0,8 KW		4/1/2018	
00S5	LAR65141040		INVERTER [C] 0.8KW			3/30/2018
00S6	LA65210020	LAR65210020	FUSE HOLDER [C] 5X20			
0C10	LA14402530	LAR14402530	CONNECTIONS FRAME [C]			
0C11	LA65321480		CONNECTOR [C] CORE PROBE 6 PIN. L=1000			

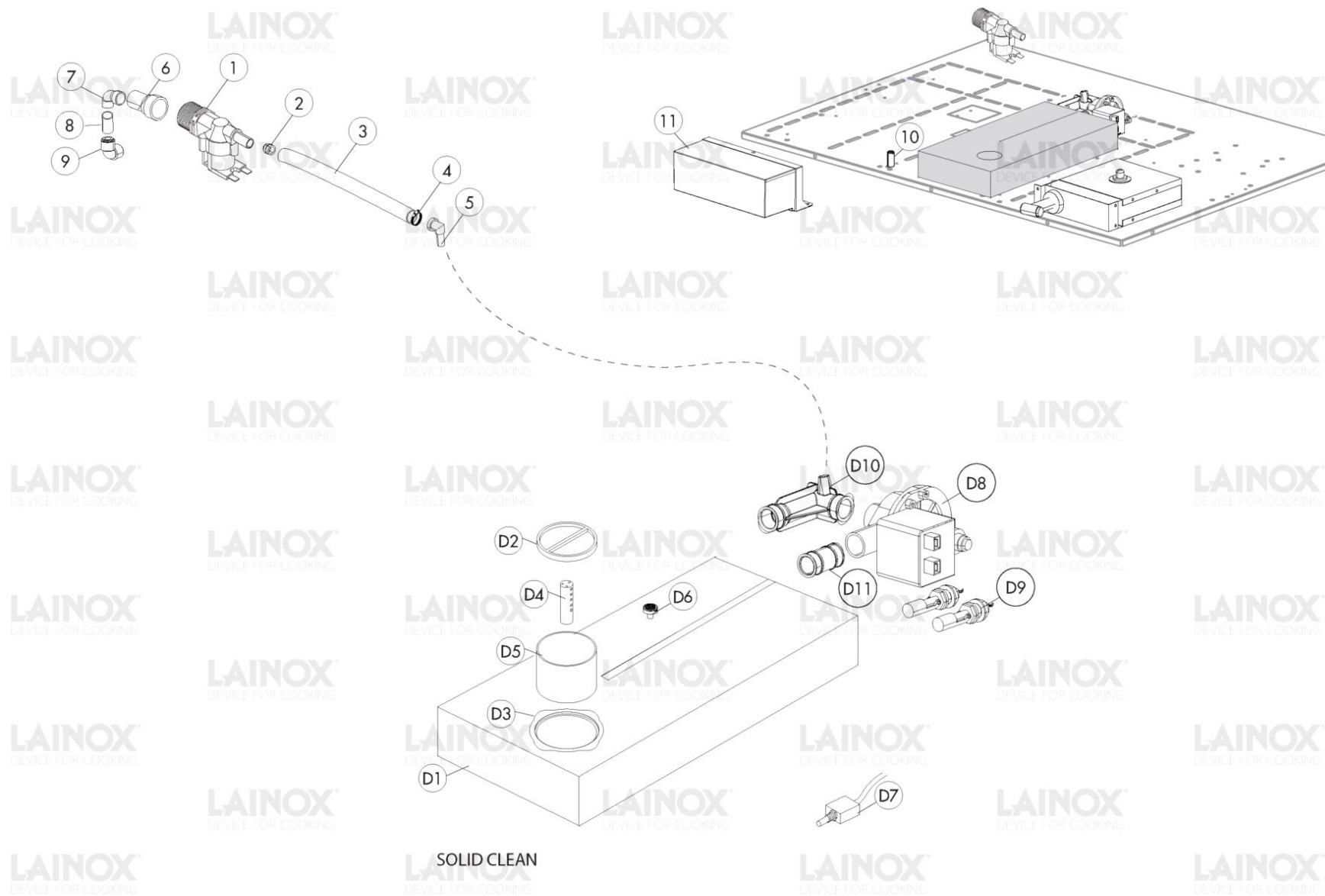
Pos.	Code	Previous code	Description	Notes	From:	To:
0C12	LA65321500		CORE PROBE [C] 4 POINTS W.PLUG N/S			
0C13	LAR86020420	LA86020400	CORE TEMPERATURE PROBE BOX [C]			
0C14	LA65330070		LAUDSPEAKER [C] L=1400MM			
0C15	LAR80100101		PROFILO GUARNIZIONE NERO 2CRISTALLI 5M			
0C16	LA65302600	LAR65302600	CABLE [C] BOARD/USB OUTLET L. 850			
0C17	LAR65303030		ADHESIVE ANTENNA [C] BOARD NA 2014			
0C18	LA70010290	LAR70010290	GASKET [C] 115X2,5			
0E10	LA65070350	LAR65070350	THERMOSTAT [C] 360Â°C N/S/L			
0E10	LA65070370		THERMOSTAT [C] 360Â°C	UL Version (USA-CAN)		
0E11	LA65060050	LAR65060050	FAN [C] D. 120			
0E12	LAR75300020		PLATE [C] FAN D. 120			
0E13	LAR65210110		PORTAFUSIBILE BUSMANN BCC3X38 (2306338)	UL Version (USA-CAN)		
0E14	LAR65200400		FUSIBILE X MOT. KTK-R-6 600V 6A CL. CC	UL Version (USA-CAN)		
0E15	LA65160620	LAR65160620	HEAT-GUARD [C] 1,4-2,0	UL Version (USA-CAN)		8/15/2016
0E15	LA65160880		HEAT-GUARD [C] 1,4-2,0	UL Version (USA-CAN)	8/16/2016	
0E16	LA65160550	LAR65160550	SUPPORT [C] HEAT-GUARD 3RU1916-3AA01	UL Version (USA-CAN)		8/15/2016
0E16	LA65160810	LAR65160810	THERMIC SUPPORT	UL Version (USA-CAN)	8/16/2016	



Warning! The exploded views refer to the general model

TAV. D

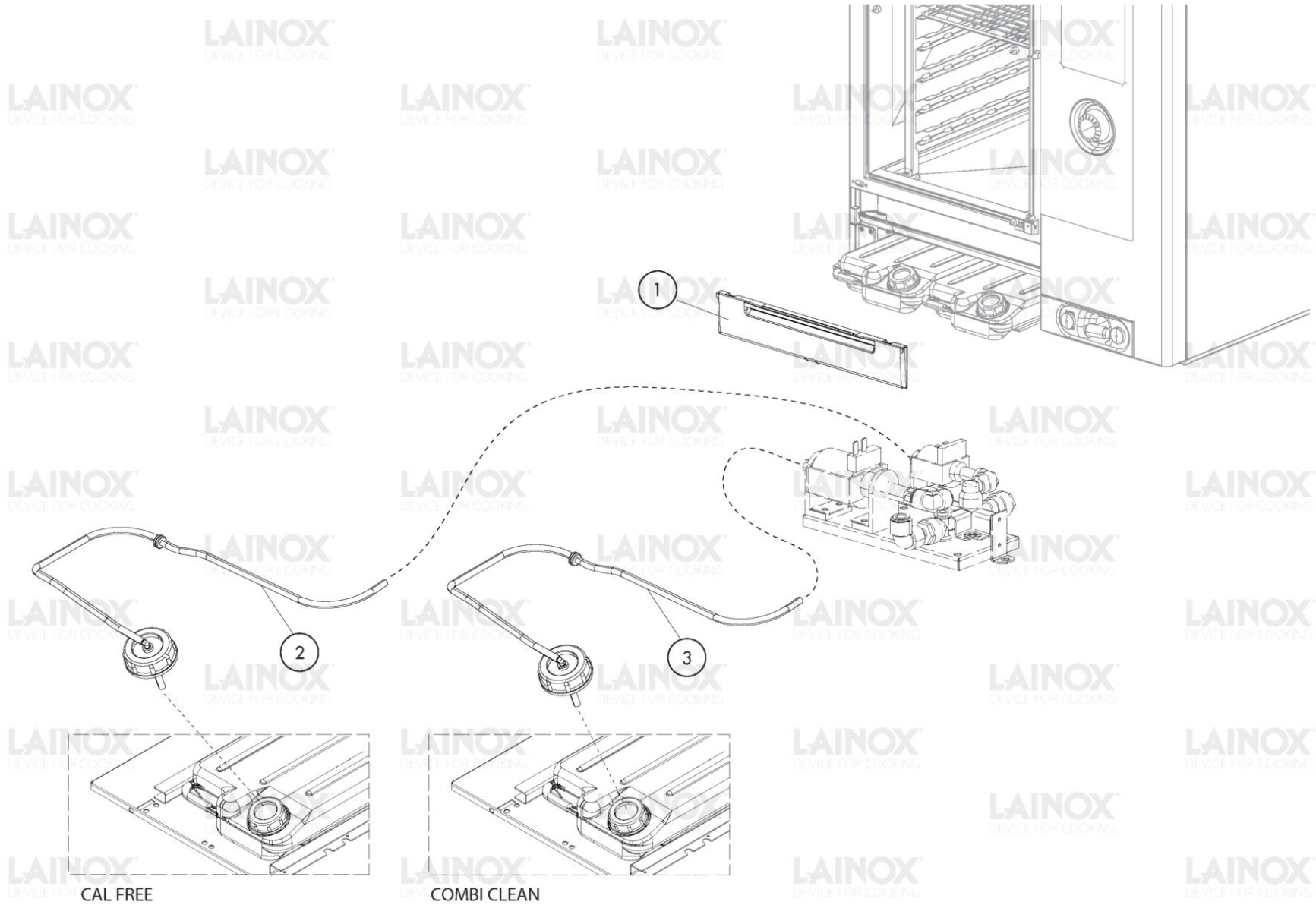
Pos.	Code	Previous code	Description	Notes	From:	To:
0001	LAR58007420		WASHING HEAD [C]			
0002	LAR70045120		GASKET [C] MOB WASHING			
0003	LAR58007020		FLANGE [C] MOB WASHING			
0004	LAR65090260		GEARMOTOR [C]			
0005	LA14170300		KIT DETERGENT WASHING PIPE [C] N/ S071-101-072-102			
0006	LA62090478	LAR62090478	CONNECTION [C] 90° F/F D.10			
0007	LA80150000		PIPE [C] LIGHT BLUE D. 10X7MM			
0008	LA62090888	LAR62090888	CONNECTION [C] JG 3WAY WASHING		7/7/2014	
0009	LA80150020	LAR80150020	TRANSPARENT POLIURETHANE PIPE [C] D. 8X6MM			
0010	LA62090498	LAR62090498	CONNECTION [C] 90° F/F D.8			
0011	LA62090608	LAR62090608	CONNECTION [C] JG M/M D.8-1/8			
0012	LAR65110600		PUMP [C] PULSE BIG 230V 50HZ			
0013	LA65110610		HOLDER [C] PUMP			
0014	LA80150020	LAR80150020	TRANSPARENT POLIURETHANE PIPE [C] D. 8X6MM			
0015	LA62090878	LAR62090878	INTERMEDIATE STRAIGHT CONNECTOR [C] D. 8			
0016	LAR65110240		SOLENOID VALVE [C] 220V 50HZ 3 OUTLETS JG CONNECTION			3/2/2015
0016	LAR65110360		SOLENOID VALVE [C] 3 WAYS 230V 50/60HZ OUT JG F D10		3/3/2015	
0016	LAR65110790		SOLENOID VALVE [C] 230V 50/60HZ	UL Version (USA-CAN)		
0018	LA80150000		PIPE [C] LIGHT BLUE D. 10X7MM			
0019	LA62200172	LAR62200172	SHOWER HEAD [C] N071/101/072/102 2014			
0020	LA80120060	LAR80120060	TRANSPARENT SILICONE PIPE [C] SR60/TR 7/12			



Warning! The exploded views refer to the general model

TAV. E - SCS

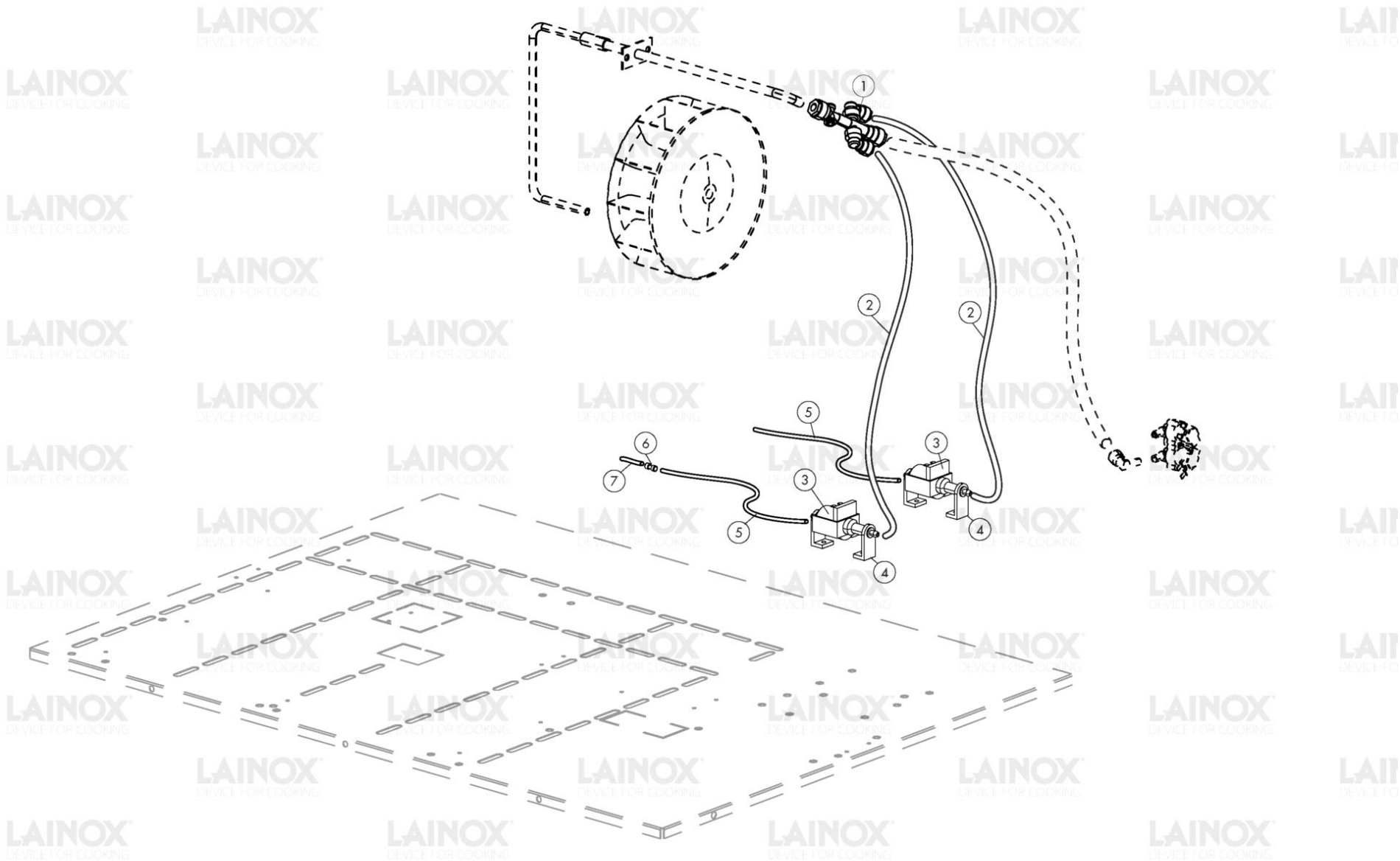
Pos.	Code	Previous code	Description	Notes	From:	To:
0001	LA65110200	LAR65110200	SOLENOID VALVE [C] 220V 50HZ 1 OUTLET JG CONNECTION			
0001	LA65110530	LAR65110530	MASS FLOW PURPLE REGULATOR [C] 2L/MIN			
0003	LA80120060	LAR80120060	TRANSPARENT SILICONE PIPE [C] SR60/TR 7/12			
0004	LA61630121	LAR61630121	SPRING BAND [C] D. 13,7MM - min. 10 pcs or multiples			
0005	LA62090938	LAR62090938	CONNECTOR [C] D.8			
0006	LA65110690	LAR65110690	CONNECTOR [C]			
0007	LA62090528	LAR62090528	CONNECTION [C] 90° M/F D.10			
0008	LA80150000		PIPE [C] LIGHT BLUE D. 10X7MM			
0009	LA62090478	LAR62090478	CONNECTION [C] 90° F/F D.10			
0010	LA58006960		PERNO Ñ,9 DIVIS.CASSETTI N/S 071-101 2014			
0011	LA69040070	LAR69040070	FALSE DRAWER [C]			
00D1	LAR14162580		COMPLETE DETERGET DRAWER [C]	50Hz		
00D1	LAR14166020		COMPLETE DETERGET DRAWER [C]	60Hz		
00D2	LA69040040	LAR69040040	CAP [C] N/S 2014 D. 90			
00D3	LA69040021		RING NUT [C] D.90			
00D4	LA69040050	LAR69040050	VAPORISER [C]			
00D5	LA69040060	LAR69040060	FILTER [C] WASHING DRAWERS N/S 2014			
00D6	LAR62090718		AIR FILTER [C]			
00D7	LAR65260900K		MICROSWITCH DRAWER SOLID CLEAN			
00D8	LA65110301		POMPA SINCR.220V50HZ30W(GRE MOD.931)2021	50Hz		
00D8	LA65110311		PUMP [C] SYNCR. 220V60HZ	60Hz		
00D9	LA65260910	LAR65260910	CONTROL [C] LEVEL			
0D10	LA69040140		CONNECTOR DRAWER DETERGENT PUMP			
0D11	LA69040150		CUFF [C] PUMP DETERGENT			



Warning! The exploded views refer to the general model

TAV. F - LCS

Pos.	Code	Previous code	Description	Notes	From:	To:
0001	LA69180340		DOOR [C] REMOVABLE TANKS			
0003	LA14171801		KIT DETERGENT WASHING PIPE [C] N/S071			



Warning! The exploded views refer to the general model

TAV. G - SMOKEGRILL

Pos.	Code	Previous code	Description	Notes	From:	To:
0001	LA62090898	LAR62090898	MANIFOLD [C]			
0002	LA80150020	LAR80150020	TRANSPARENT POLIURETHANE PIPE [C] D. 8X6MM			
0003	LAR65110620		PUMP [C] PULSE SMALL 230V 50HZ			
0004	LA65110630	LAR65110630	HOLDER [C] PUMP			
0005	LA80150020	LAR80150020	TRANSPARENT POLIURETHANE PIPE [C] D. 8X6MM			
0006	LA62090798	LAR62090798	CONNECTION [C] JG STRAIGHT F/F D.8-6			
0007	LA80150030	LAR80150030	PIPE [C] D. 6X4			