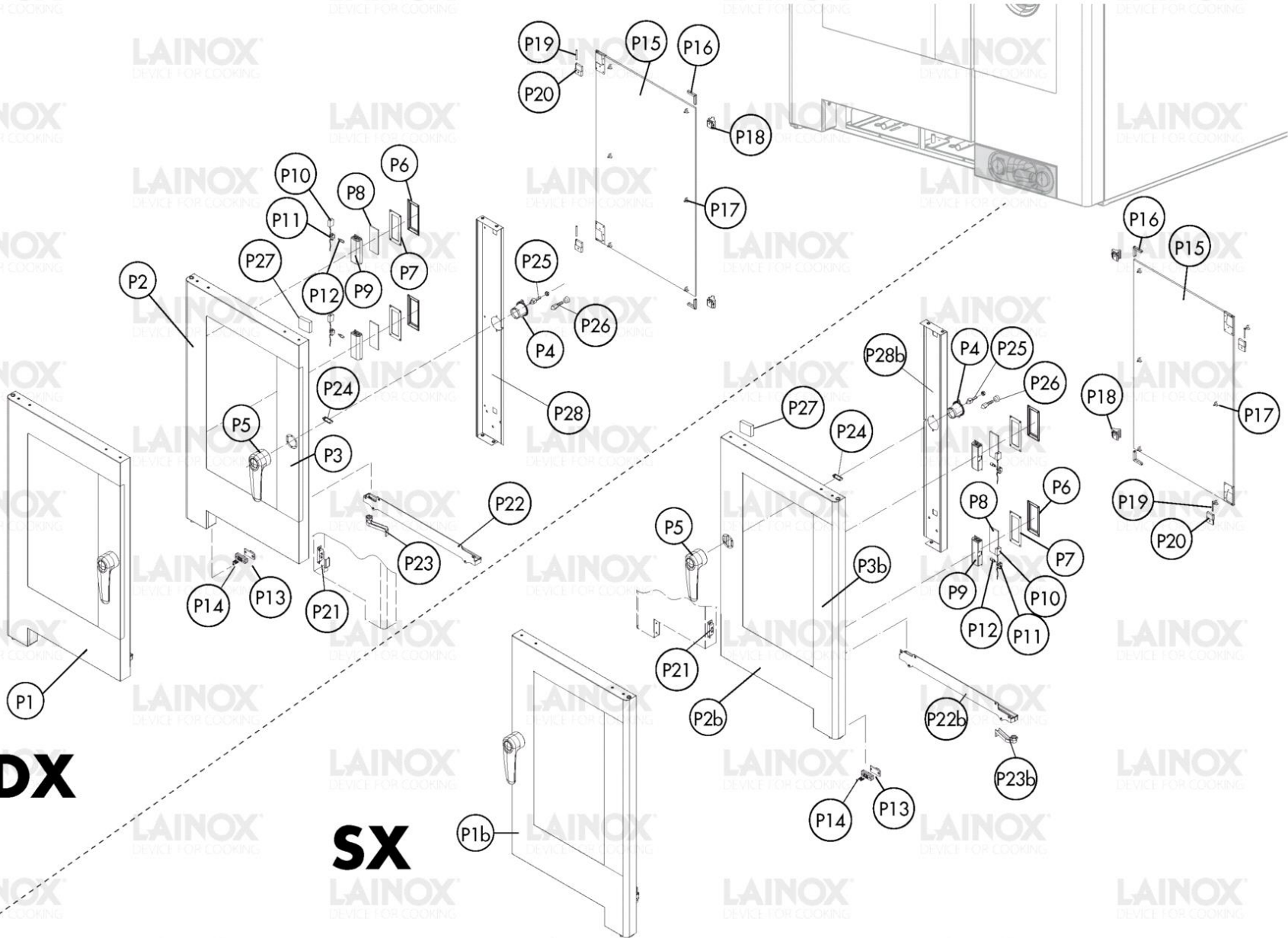


Warning! The exploded views refer to the general model

**TAV. A**

Pos.	Code	Previous code	Description	Notes	From:	To:
0001	LAR65040530		MOTOR [C] 200/440V 0,55KW ONE SPEED			
0001	LAR65041210		MOTOR [C] 240/480V 60HZ 0,55KW ONE SPEED	UL Version (USA-CAN)		
0002	LA58003850	LAR58003850	COUNTER FLANGE [C]			
0003	LA58003840	LAR58003840	FLANGE [C] GASKET			
0004	LA70020050	LAR70020050	GASKET [C]			
0005	LA75400440	LAR75400440	FAN [C] D. 350X114 50HZ			
0006	LA58004010	LAR58004010	WASHER [C] D. 30/12,5			
0007	LA58004000	LAR58004000	SCREW [C] M12X1.5			
0008	LA61020562	LAR61020562	SCREW [C] M6X55 UNI 5737 - MINIMUM 10 PIECES OR MULTIPLE			
0009	LA70030200		GASKET [C] GRAPHITE HEATING ELEMENTS			
0010	LAR65011300		HEATING ELEMENT [C] 15000W 208V CHAMBER	UL Version 208V (USA-CAN)		
0010	LAR65011310		HEATING ELEMENT [C] 15000W 230V CHAMBER			
0010	LAR65011320		HEATING ELEMENT [C] 15000W 254V CAM VE/110	Marine Version 254V (3AC 440V)		
0010	LAR65011330		HEATING ELEMENT [C] 15000W277V CHAMBER	UL Version 277V (USA-CAN 3AC 480V)		
0011	LAR65011250		HEATING ELEMENT [C] ROUND 15000W 230V CAMS VE/210			
0011	LAR65011260		HEATING ELEMENT [C] CIRCULAR 15000W277V	UL Version 277V (USA-CAN 3AC 480V)		
0011	LAR65011270		HEATING ELEMENT [C] 15000W208V VE/210	UL Version 208V (USA-CAN)		
0012	LA11201970	LAR11201970	EXTENSION [C] VAPORISEUR C-V-M/101			
0013	LA14219650		PIPE [C] CONNECTOR HUMIDIFIER N/SE101 2017			
0014	LA62090908	LAR62090908	CONNECTION [C] JG STRAIGHT F/F D.10			
0015	LA80150060	LAR80150060	PIPE [C] PEX-B D. 10MM L.100M			
0016	LA62090528	LAR62090528	CONNECTION [C] 90° M/F D.10			
0017	LAR65110340		SOLENOID VALVE [C] 2 WAYS 230V 50/60HZ OUT JG F D10			
0017	LAR65110780		SOLENOID VALVE [C] 230V50/60HZ	UL Version (USA-CAN)		
0018	LA62090518	LAR62090518	CONNECTOR [C] END SIDE PIPE 10X1/4			
0019	LAR70010050		GASKET [C] 7,60X2,62			
0020	LA62030113	LAR62030113	COUPLING [C] BRASS REDUCTION			
0021	LAR63070050		WATER PRESSURE SWITCH [C] 500/350 mbar -1/8			
0022	LA70010370	LAR70010370	GASKET [C]			
0023	LAR65320220		PROBE [C] K L. 1,5M			
0024	LA62070023	LAR62070023	BICONE [C] D. 6			
0025	LA62060223	LAR62060223	NUT [C] D. 6			

Pos.	Code	Previous code	Description	Notes	From:	To:
0026	LAR58006690		CAP [C] SERIE 2014			
0027	LAR65095000		RELEASE MOTOR [C] COMPLETE - 1 CAM			
0029	LAR70030180		GRAPHITE GASKETS KIT [C] 80x50,3x3 SET 5 PIECES			
0030	LAR14201090		DEFLECTOR [C] N/S102 2014			
0031	LA75300070	LAR75300070	PLATE [C] FAN D. 350 N/S101 2014			
0032	LAR58003110		PIN [C] DEFLECTOR CLAMPING			
0033	LA14402130	LAR14402130	HINGE [C]			
0034	LA58000370	LAR58000370	PIN [C] UPPER HINGE			
0035	LA58004050	LAR58004050	NUT [C]			
0036	LA11207240	LAR11207240	LOWER HINGE KIT [C] M-V/061-101-102 2005			
0038	LA58000360	LAR58000360	NUT [C]			
0039	LA70044883		GASKET [C] DOOR K_102			
0040	LAR69180240		DRAIN CONTAINER [C] N/S072-102 2014			
0041	LA69180250	LAR69180250	FILTER [C] DRIP COLLECTOR DRAIN			
0042	LA14443130	LAR14443130	RACK [C] 10 GN2/1 N/S R.			
0043	LAR10201710		AIR FILTER [C] DRAIN M/210-12 D.86/44,5			
0044	LAR70030190	LA70030190	GRAPHITE GASKETS KIT [C] 90x90x3 SET 5 PIECES			
0045	LA70060040		SILICONE COUPLING [C] D. INNER 51 D. EXTERIOR 59	ventilation pipe		
0045	LA70060050	LAR70060050	RUBBER SLEEVE [C] D. 60			
0046	LA70060080		SILICONE COUPLING [C] D. 13X18X80			
0047	LAR69180110		BOX [C] DRAIN PIPE H/MV 102			
0048	LA58000740		NOZZLE [C] D. 0,80	Su tubo scarico / On drain pipe		
0048	LA58006160		NOZZLE [C] D. 0,80	Su scatola condensazione / On quenching box		
0049	LA62090633	LAR62090633	CURVED CONNECTOR [C] 10/10			
0050	LA70050150	LAR70050150	GASKET [C] BOILER CAP			
0051	LA69150100	LAR69150100	CAP [C]			
0052	LA61630031	LAR61630031	ZINC CLAMP [C]- min. 10 pcs or multiples			
0053	LA62280038	LAR62280038	CURVE [C]			
0054	LAR65240030		FAIRLEAD [C]			

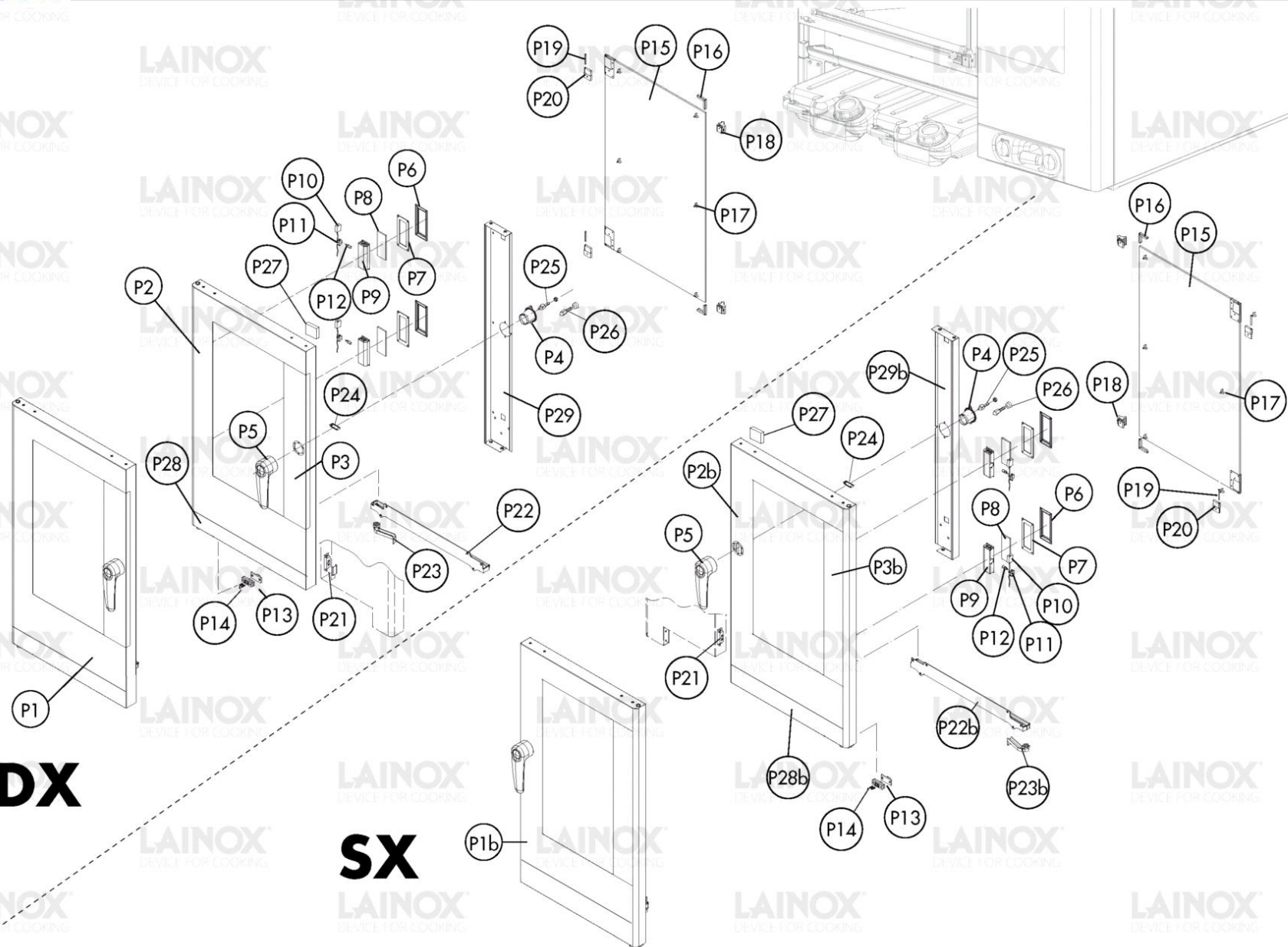


Warning! The exploded views refer to the general model

**TAV. B - SCS**

Pos.	Code	Previous code	Description	Notes	From:	To:
00P1	LAR14162880		DOOR [C] NA_102			
00P2	LAR14200840		EXTERIOR DOOR [C] NA_102			
00P3	LA67016551		DOOR COVER WITH HANDLE [C] NA_101R-102R			
00P4	LAR69010630		COVERING [C] GROUP 6303 CLOSING			
00P5	LA69010190	LAR69010190	LOCK [C] 6303 N/S2014			
00P6	LA11401450		FLANGE [C] BULB GLASS			
00P7	LA70044200		GASKET [C] BULB GLASS P2000			
00P8	LA71500150		GLASS PLATE [C]			
00P9	LA11401440		LAMP COVER [C]			
0P10	LA66110320		DOOR LIGHTS CABLE SET [C] MV101-102			
0P11	LA65270450		LAMP HOLDER [C]			
0P12	LAR65270020	LA65270020	BULB [C] 12V 20W G4 (KIT 5 pcs.)			
0P13	LAR65260752		LIGHT CONTACT [C] SR.2014 - FLOOR OVEN			
0P14	LA61600031	LAR61600031	GASKET [C] D. 3,2			
0P15	LAR71202240		GLASS PLATE [C]			
0P15	LAR71202240A		GLASS PANEL [C] REAR 734*810*6 REVERSAL DOOR	PER PORTA INCERNIERATA A DX- FOR RIGHT HINGED DOOR		
0P16	LA11423460	LAR11423460	PROTECTION [C] DOOR GLASS K E T 2011			
0P17	LAR70050180		SPACER [C] GLASS PLATE 15X8 (min.10 pcs or multiples)			
0P18	LAR17406230		GLASS BLOCK [C]		8/13/2018	
0P18	LAR58001780		CATCH [C] DOOR GLASS			8/10/2018
0P19	LA58001770	LAR58001770	PIN [C] GLASS HINGE SR2000			
0P20	LA58001760	LAR58001760	HINGE [C] INTERNAL GLASS			
0P21	LAR65265100		MICROSWITCH [C] DOOR			
0P22	LAR69180230		DOOR CONTAINER [C] N/S072-102 2014			
0P23	LA69180011		WATER DRAIN [C] CONTAINER			
0P24	LA61620132	LAR61620132	SPRING [C] PRONG HOOK			
0P25	LA69010260	LAR69010260	PRONG [C] 1 STEP			
0P26	LAR69010270		DOOR LATCH 2 STEP [C]			
0P27	LA11420660	LAR11420660	FLANGE [C]			
0P3b	LA67016731		DOOR COVER [C] W/O HANDLE NA_101R-102R			
P22b	LAR14201751		CONTAINER LH DOOR			
P23b	LA11202240	LAR11202240	WATER DRAIN [C] CONTAINER SR2000			





Warning! The exploded views refer to the general model

**TAV. B - LCS**

Pos.	Code	Previous code	Description	Notes	From:	To:
00P1	LAR14172060		DOOR [C] NA_102	HALOGEN		2/8/2019
00P1	LAR14182600		PORTA COMPLETA NA_102 C/TANICHE LED PORTA COMPLETA NA_102 C/TANICHE LED	LED	2/11/2019	
00P2	LAR14203840		OUTER DOOR [C] NA_102 W/TANK	HALOGEN		2/8/2019
00P2	LAR14203840E		PORTA ESTERNA NA_102 C/TANICHE LED	LED	2/11/2019	
00P3	LA67016551		DOOR COVER WITH HANDLE [C] NA_101R-102R			
00P4	LAR69010630		COVERING [C] GROUP 6303 CLOSING			
00P5	LA69010190	LAR69010190	LOCK [C] 6303 N/S2014			
00P6	LA11401450		FLANGE [C] BULB GLASS			2/8/2019
00P6	LA65270590		LAMP [C] LED L=130MM 12V DC	REPLACE P6-P7-P8-P9-P11-P12	2/11/2019	
00P7	LA65270590		LAMP [C] LED L=130MM 12V DC	REPLACE P6-P7-P8-P9-P11-P12	2/11/2019	
00P7	LA70044200		GASKET [C] BULB GLASS P2000			2/8/2019
00P8	LA65270590		LAMP [C] LED L=130MM 12V DC	REPLACE P6-P7-P8-P9-P11-P12	2/11/2019	
00P8	LA71500150		GLASS PLATE [C]			2/8/2019
00P9	LA11401440		LAMP COVER [C]			2/8/2019
00P9	LA65270590		LAMP [C] LED L=130MM 12V DC	REPLACE P6-P7-P8-P9-P11-P12	2/11/2019	
0P10	LA66110320		DOOR LIGHTS CABLE SET [C] MV101-102			2/8/2019
0P10	LA66115810		CABLAGGIO LUCI PORTA MV101-102.		2/11/2019	
0P11	LA65270450		LAMP HOLDER [C]			2/8/2019
0P11	LA65270590		LAMP [C] LED L=130MM 12V DC	REPLACE P6-P7-P8-P9-P11-P12	2/11/2019	
0P12	LA65270590		LAMP [C] LED L=130MM 12V DC	REPLACE P6-P7-P8-P9-P11-P12	2/11/2019	
0P12	LAR65270020	LA65270020	BULB [C] 12V 20W G4 (KIT 5 pcs.)			2/8/2019
0P13	LAR65260752		LIGHT CONTACT [C] SR.2014 - FLOOR OVEN			
0P14	LA61600031	LAR61600031	GASKET [C] D. 3,2			
0P15	LAR71202240		GLASS PLATE [C]			
0P15	LAR71202240A		GLASS PANEL [C] REAR 734*810*6 REVERSAL DOOR	PER PORTA INCERNIERATA A DX-FOR RIGHT HINGED DOOR		
0P16	LA11423460	LAR11423460	PROTECTION [C] DOOR GLASS K E T 2011			
0P17	LAR70050180		SPACER [C] GLASS PLATE 15X8 (min.10 pcs or multiples)			
0P18	LAR17406230		GLASS BLOCK [C]		8/13/2018	
0P18	LAR58001780		CATCH [C] DOOR GLASS			8/10/2018
0P19	LA58001770	LAR58001770	PIN [C] GLASS HINGE SR2000			

Pos.	Code	Previous code	Description	Notes	From:	To:
0P1b	LAR14173800		PORTA CONTR.COMPLETA NA_102 C/TANICHE PORTA CONTR.COMPLETA NA 102 C/TANICHE	HALOGEN		2/8/2019
0P1b	LAR14182670		PORTA CONTR.COMPLETA NA_102 C/TAN LED PORTA CONTR.COMPLETA NA 102 C/TAN LED	LED	2/11/2019	
0P20	LA58001760	LAR58001760	HINGE [C] INTERNAL GLASS			
0P21	LAR65265100		MICROSWITCH [C] DOOR			
0P22	LAR69180230		DOOR CONTAINER [C] N/S072-102 2014			
0P23	LA69180011		WATER DRAIN [C] CONTAINER			
0P24	LA61620132	LAR61620132	SPRING [C] PRONG HOOK			
0P25	LA69010260	LAR69010260	PRONG [C] 1 STEP			
0P26	LAR69010270		DOOR LATCH 2 STEP [C]			
0P27	LA11420660	LAR11420660	FLANGE [C]			
0P28	LA67017880		DOOR COVER [C] N/S072/102 W/TANK			
0P2b	LAR14204110		PORTA ESTERNA CONTRARIA NA_102 C/TANICHE	HALOGEN		2/8/2019
0P2b	LAR14204110E		OUTER DOOR [C] OPPOSITE NA_102 W/TANK LED	LED	2/11/2019	
0P3b	LA67016731		DOOR COVER [C] W/O HANDLE NA_101R-102R			
P22b	LAR14201751		CONTAINER LH DOOR			
P23b	LA11202240	LAR11202240	WATER DRAIN [C] CONTAINER SR2000			
P28b	LA67018070		RIVESTIMENTO P/SX N/S072/102 C/TANICHE			



LAINOX  
DEVICE FOR COOKING

LAINOX  
DEVICE FOR COOKING

LAINOX  
DEVICE FOR COOKING

LAINOX  
DEVICE FOR COOKING

LAINOX  
DEVICE FOR COOKING

LAINOX  
DEVICE FOR COOKING

LAINOX  
DEVICE FOR COOKING

LAINOX  
DEVICE FOR COOKING

LAINOX  
DEVICE FOR COOKING

LAINOX  
DEVICE FOR COOKING

LAINOX  
DEVICE FOR COOKING

LAINOX  
DEVICE FOR COOKING

LAINOX  
DEVICE FOR COOKING

LAINOX  
DEVICE FOR COOKING

LAINOX  
DEVICE FOR COOKING

LAINOX  
DEVICE FOR COOKING

LAINOX  
DEVICE FOR COOKING

LAINOX  
DEVICE FOR COOKING

LAINOX  
DEVICE FOR COOKING

LAINOX  
DEVICE FOR COOKING

LAINOX  
DEVICE FOR COOKING

LAINOX  
DEVICE FOR COOKING

LAINOX  
DEVICE FOR COOKING

LAINOX  
DEVICE FOR COOKING

LAINOX  
DEVICE FOR COOKING

LAINOX  
DEVICE FOR COOKING

LAINOX  
DEVICE FOR COOKING

LAINOX  
DEVICE FOR COOKING

LAINOX  
DEVICE FOR COOKING

LAINOX  
DEVICE FOR COOKING

LAINOX  
DEVICE FOR COOKING

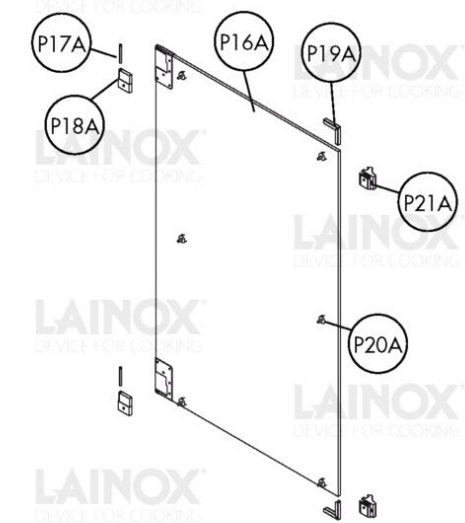
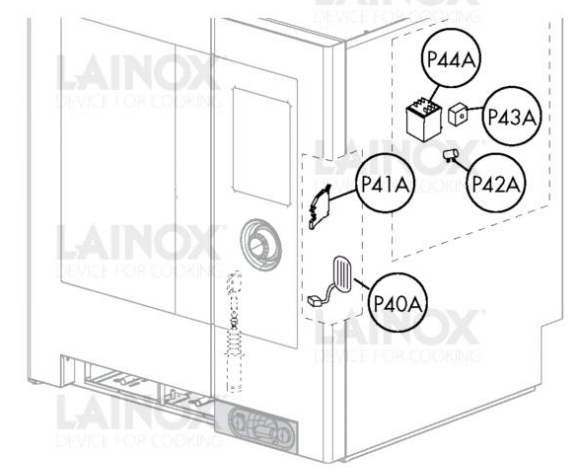
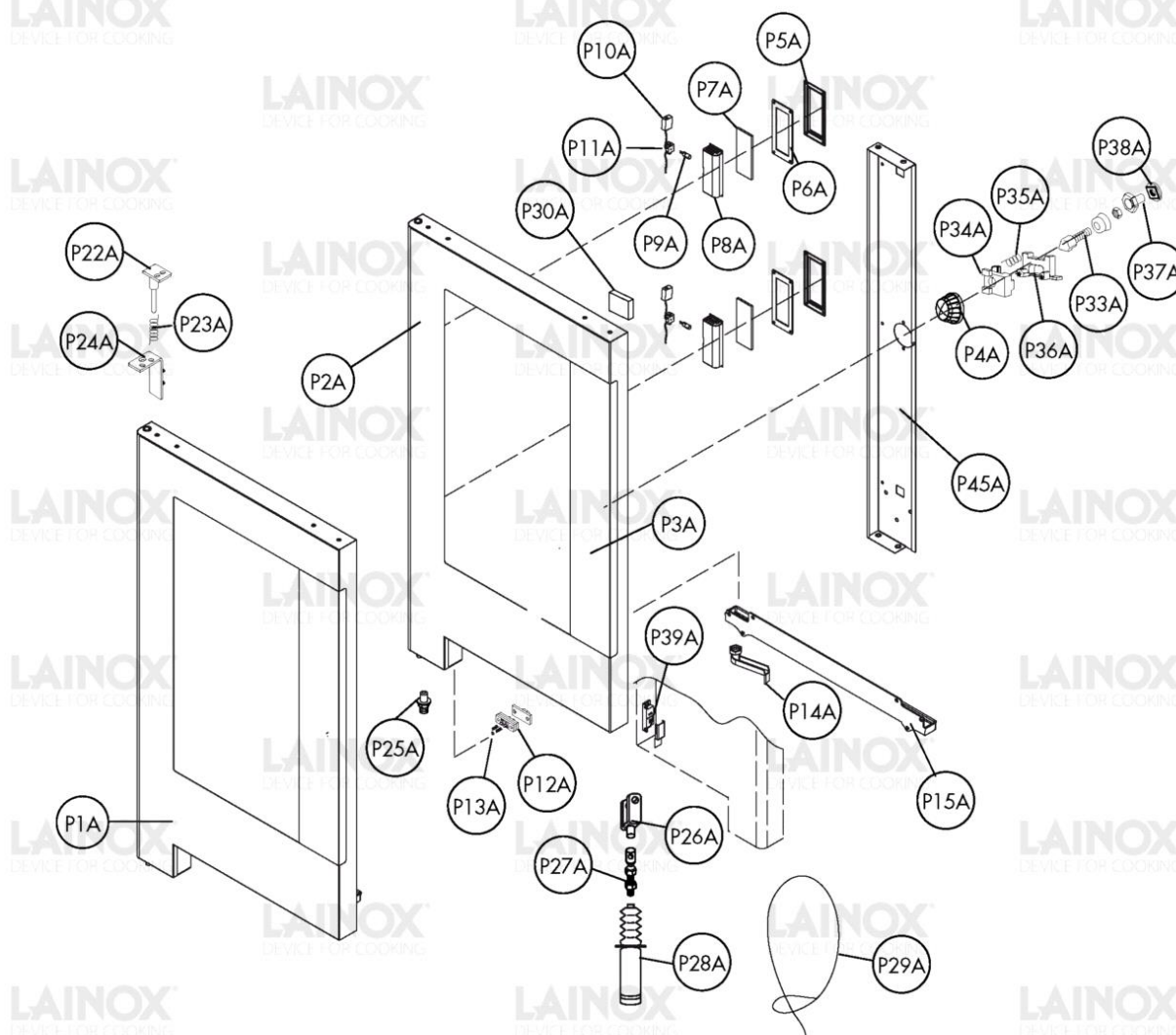
LAINOX  
DEVICE FOR COOKING

LAINOX  
DEVICE FOR COOKING

LAINOX  
DEVICE FOR COOKING

LAINOX  
DEVICE FOR COOKING

LAINOX  
DEVICE FOR COOKING

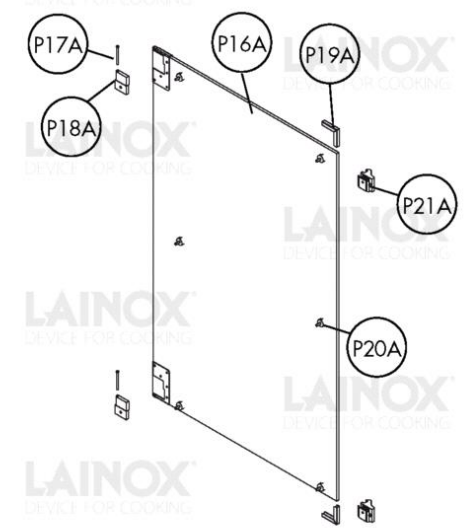
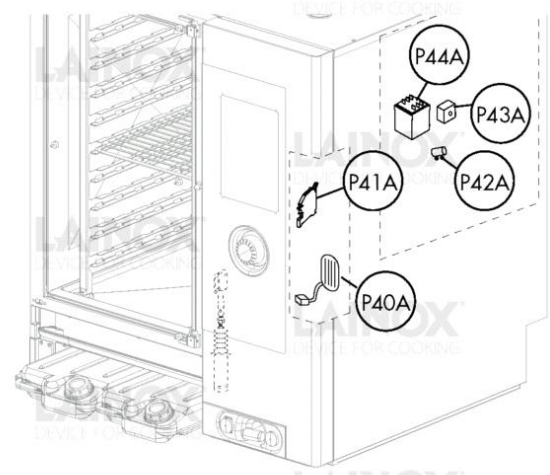
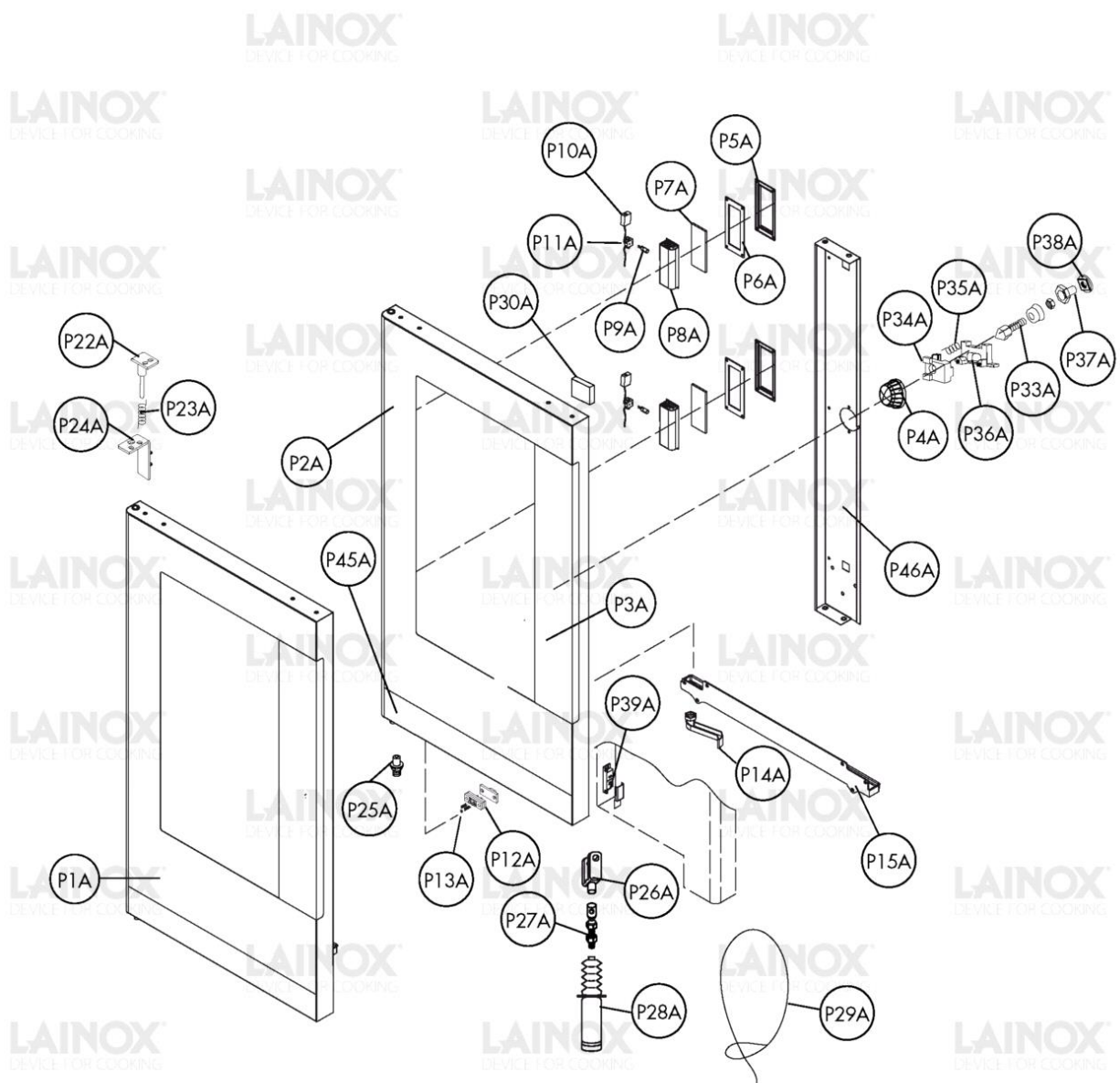


Warning! The exploded views refer to the general model

**TAV. B - NAA - SCS**

Pos.	Code	Previous code	Description	Notes	From:	To:
OP1A	LAR14162890		DOOR [C] NA_102			
OP2A	LAR14218120		DOOR [C] NA_102			
OP3A	LA67016731		DOOR COVER [C] W/O HANDLE NA_101R-102R			
OP4A	LA14218140	LAR14218140	COVER [C]			
OP5A	LA11401450		FLANGE [C] BULB GLASS			
OP6A	LA70044200		GASKET [C] BULB GLASS P2000			
OP7A	LA71500150		GLASS PLATE [C]			
OP8A	LA11401440		LAMP COVER [C]			
OP9A	LAR65270020	LA65270020	BULB [C] 12V 20W G4 (KIT 5 pcs.)			
P10A	LA66110320		DOOR LIGHTS CABLE SET [C] MV101-102			
P11A	LA65270450		LAMP HOLDER [C]			
P12A	LAR65260752		LIGHT CONTACT [C] SR.2014 - FLOOR OVEN			
P13A	LA61600031	LAR61600031	GASKET [C] D. 3,2			
P14A	LA69180011		WATER DRAIN [C] CONTAINER			
P15A	LAR69180230		DOOR CONTAINER [C] N/S072-102 2014			
P16A	LAR71202240		GLASS PLATE [C]			
P17A	LA58001770	LAR58001770	PIN [C] GLASS HINGE SR2000			
P18A	LA58001760	LAR58001760	HINGE [C] INTERNAL GLASS			
P19A	LA11423460	LAR11423460	PROTECTION [C] DOOR GLASS K E T 2011			
P20A	LAR70050180		SPACER [C] GLASS PLATE 15X8 (min.10 pcs or multiples)			
P21A	LAR17406230		GLASS BLOCK [C]		8/13/2018	
P21A	LAR58001780		CATCH [C] DOOR GLASS			8/10/2018
P22A	LA14218130		PIN [C]			
P23A	BN1412083		RIGHT SPRING BLIND DOORS CABINETS			
P24A	LA14402400		UPPER HINGE [C] FOR DOOR N/S 2014			
P25A	LA58007180	LAR58007180	LOWER PIN [C] HINGE			
P26A	LA61660110	LAR61660110	FORK [C]			
P27A	LA61660120	LAR61660120	AXIAL CONNECTOR [C] SM6			
P28A	LA65090310	LAR65090310	ACTUATOR [C]			
P29A	LAR85340022D		STEEL CABLE [C] FOR AUTOMATIC DOOR			
P30A	LA11420660	LAR11420660	FLANGE [C]			
P33A	LAR69010850		PRONG [C] L. 28,5			6/8/2014
P33A	LAR69010860		PRONG [C] L. 28,5		6/9/2014	
P34A	LA58007220	LAR58007220	CATCH [C] SPRING			
P35A	LA61620132	LAR61620132	SPRING [C] PRONG HOOK			6/8/2014
P36A	LA58007170	LAR58007170	SUPPORT [C] SPRING TRIP WITH LEVER			

Pos.	Code	Previous code	Description	Notes	From:	To:
P37A	LA58007200	LAR58007200	BUSH [C] EXTERNAL AUTOM. RELEASE			
P38A	LA58007190	LAR58007190	INTERIOR BUSH [C] FOR AUTOMATIC RELEASE			
P39A	LAR65265100		MICROSWITCH [C] DOOR			
P40A	LA67016871		BUTTON [C] AUTOMATIC DOOR N RELOADED			
P41A	LA65210020	LAR65210020	FUSE HOLDER [C] 5X20			
P42A	LA61660130	LAR61660130	TERMINAL [C]			
P43A	LA65301760	LAR65301760	DIODE BRIDGE [C]			
P44A	LA65170100	LAR65170100	RELAY [C]			



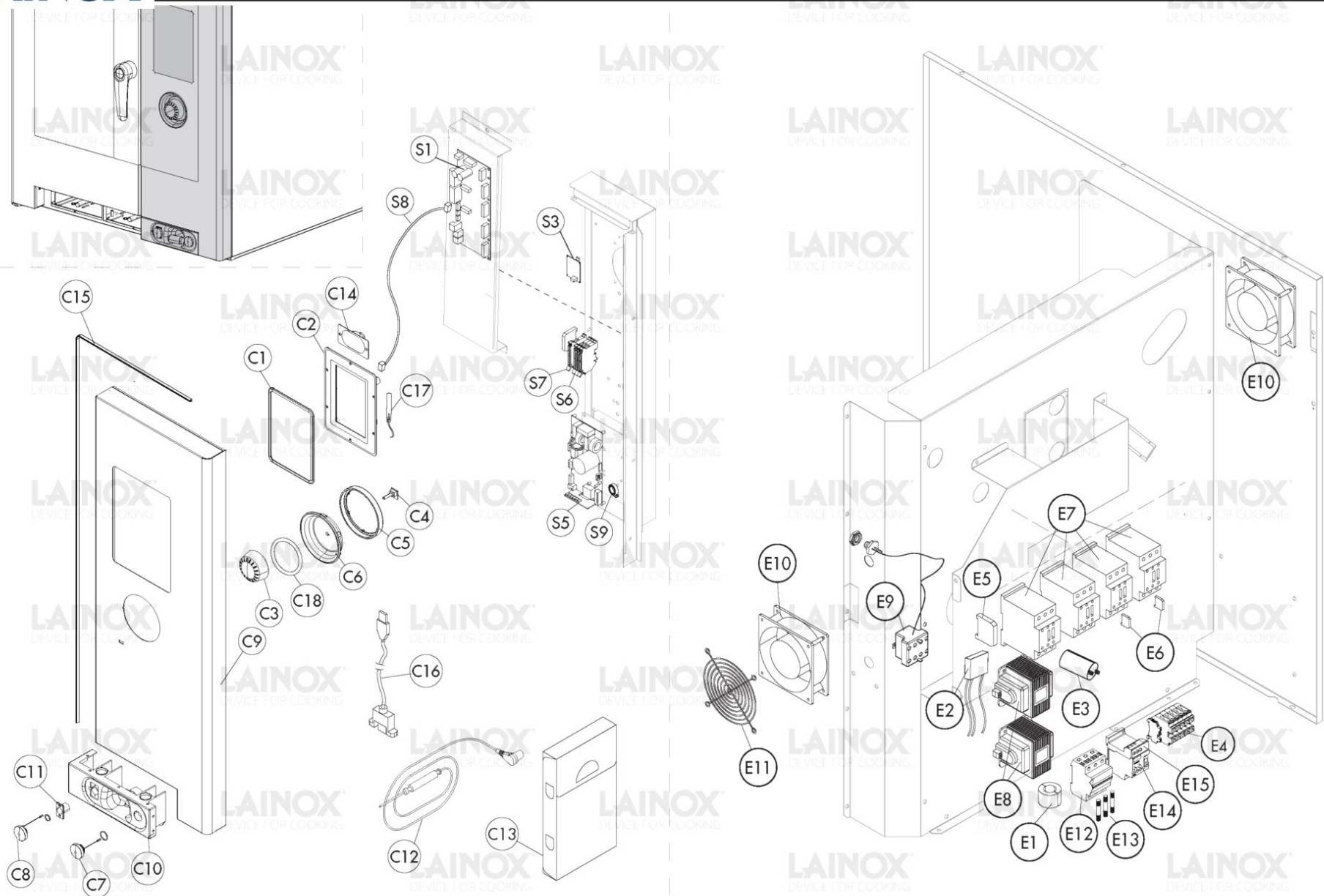
Warning! The exploded views refer to the general model

**TAV. B - NAA - LCS**

Pos.	Code	Previous code	Description	Notes	From:	To:
OP1A	LAR14172070		PORTA AUTOMATICA COMPLETA NA_102 C/TAN. PORTA AUTOMATICA COMPLETA NA_102 C/TAN.	HALOGEN		2/8/2019
OP1A	LAR14182610		PORTA AUTOMAT.COMPLETA NA_102 C/TAN LED PORTA AUTOMAT.COMPLETA NA_102 C/TAN LED	LED	2/11/2019	
OP2A	LAR14204040		PORTA ESTERNA NA_102 C/TANICHE AP.AUTOM. PORTA ESTERNA NA_102 C/TANICHE AP.AUTOM.	HALOGEN		2/8/2019
OP2A	LAR14204040E		PORTA ESTERNA NA_102 C/TAN LED AP.AUTOM. PORTA ESTERNA NA_102 C/TAN LED AP.AUTOM.	LED	2/11/2019	
OP3A	LA67016731		DOOR COVER [C] W/O HANDLE NA_101R-102R			
OP4A	LA14218140	LAR14218140	COVER [C]			
OP5A	LA11401450		FLANGE [C] BULB GLASS			2/8/2019
OP5A	LA65270590		LAMP [C] LED L=130MM 12V DC	REPLACE P5A-P6A-P7A-P8A-P9A-P11A	2/11/2019	
OP6A	LA65270590		LAMP [C] LED L=130MM 12V DC	REPLACE P5A-P6A-P7A-P8A-P9A-P11A	2/11/2019	
OP6A	LA70044200		GASKET [C] BULB GLASS P2000			2/8/2019
OP7A	LA65270590		LAMP [C] LED L=130MM 12V DC	REPLACE P5A-P6A-P7A-P8A-P9A-P11A	2/11/2019	
OP7A	LA71500150		GLASS PLATE [C]			2/8/2019
OP8A	LA11401440		LAMP COVER [C]			2/8/2019
OP8A	LA65270590		LAMP [C] LED L=130MM 12V DC	REPLACE P5A-P6A-P7A-P8A-P9A-P11A	2/11/2019	
OP9A	LA65270590		LAMP [C] LED L=130MM 12V DC	REPLACE P5A-P6A-P7A-P8A-P9A-P11A	2/11/2019	
OP9A	LAR65270020	LA65270020	BULB [C] 12V 20W G4 (KIT 5 pcs.)			2/8/2019
P10A	LA66110320		DOOR LIGHTS CABLE SET [C] MV101-102			2/8/2019
P10A	LA66115810		CABLAGGIO LUCI PORTA MV101-102.		2/11/2019	
P11A	LA65270450		LAMP HOLDER [C]			2/8/2019
P11A	LA65270590		LAMP [C] LED L=130MM 12V DC	REPLACE P5A-P6A-P7A-P8A-P9A-P11A	2/11/2019	
P12A	LAR65260752		LIGHT CONTACT [C] SR.2014 - FLOOR OVEN			
P13A	LA61600031	LAR61600031	GASKET [C] D. 3,2			
P14A	LA69180011		WATER DRAIN [C] CONTAINER			
P15A	LAR69180230		DOOR CONTAINER [C] N/S072-102 2014			
P16A	LAR71202240		GLASS PLATE [C]			
P17A	LA58001770	LAR58001770	PIN [C] GLASS HINGE SR2000			
P18A	LA58001760	LAR58001760	HINGE [C] INTERNAL GLASS			
P19A	LA11423460	LAR11423460	PROTECTION [C] DOOR GLASS K E T 2011			
P20A	LAR70050180		SPACER [C] GLASS PLATE 15X8 (min.10 pcs or multiples)			
P21A	LAR17406230		GLASS BLOCK [C]		8/13/2018	



Pos.	Code	Previous code	Description	Notes	From:	To:
P21A	LAR58001780		CATCH [C] DOOR GLASS			8/10/2018
P22A	LA14218130		PIN [C]			
P23A	BN1412083		RIGHT SPRING BLIND DOORS CABINETS			
P24A	LA14402400		UPPER HINGE [C] FOR DOOR N/S 2014			
P25A	LA58007180	LAR58007180	LOWER PIN [C] HINGE			
P26A	LA61660110	LAR61660110	FORK [C]			
P27A	LA61660120	LAR61660120	AXIAL CONNECTOR [C] SM6			
P28A	LA65090310	LAR65090310	ACTUATOR [C]			
P29A	LAR85340022D		STEEL CABLE [C] FOR AUTOMATIC DOOR			
P30A	LA11420660	LAR11420660	FLANGE [C]			
P33A	LAR69010850		PRONG [C] L. 28,5			6/8/2014
P34A	LA58007220	LAR58007220	CATCH [C] SPRING			
P35A	LA61620132	LAR61620132	SPRING [C] PRONG HOOK			6/8/2014
P36A	LA58007170	LAR58007170	SUPPORT [C] SPRING TRIP WITH LEVER			
P37A	LA58007200	LAR58007200	BUSH [C] EXTERNAL AUTOM. RELEASE			
P38A	LA58007190	LAR58007190	INTERIOR BUSH [C] FOR AUTOMATIC RELEASE			
P39A	LAR65265100		MICROSWITCH [C] DOOR			
P40A	LA67016871		BUTTON [C] AUTOMATIC DOOR N RELOADED			
P41A	LA65210020	LAR65210020	FUSE HOLDER [C] 5X20			
P42A	LA61660130	LAR61660130	TERMINAL [C]			
P43A	LA65301760	LAR65301760	DIODE BRIDGE [C]			
P44A	LA65170100	LAR65170100	RELAY [C]			
P45A	LA67017880		DOOR COVER [C] N/S072/102 W/TANK			

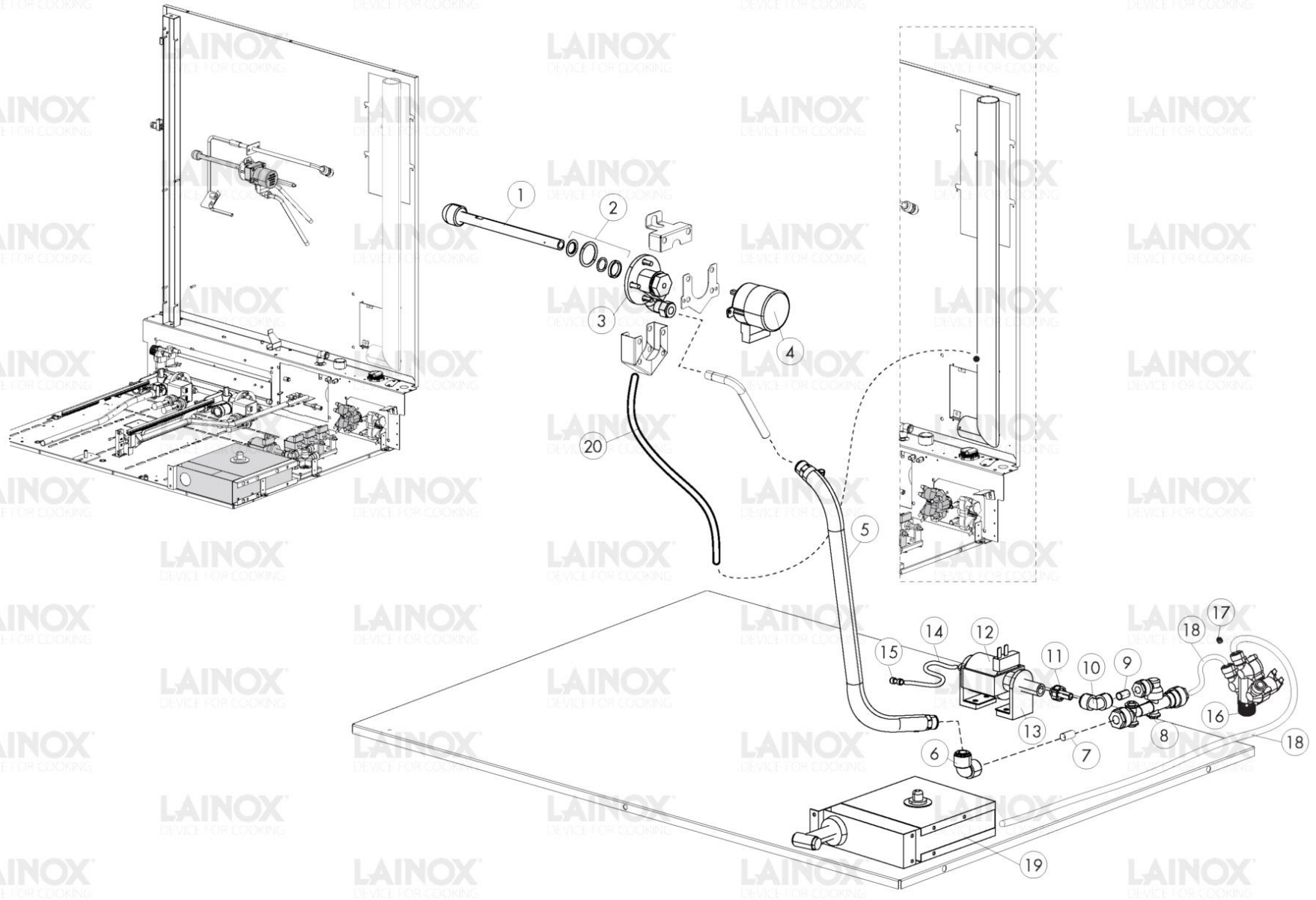


Warning! The exploded views refer to the general model

**TAV. C**

Pos.	Code	Previous code	Description	Notes	From:	To:
00C1	LA70040030	LAR70040030	GASKET [C] DYSPLAY 10			
00C2	LAR65302490		BOARD [C] DISPLAY NABOO + FRAME			
00C2	LAR65302590		BOARD [C] DISPLAY NABOO + FRAME + ETHERNET	Ethernet		
00C3	LA69030241		ENCODER KNOB [C] D.70 BLACK N			
00C4	LA65302501		ENCODER [C] PUSH NABOO [C] + WIRE L= 60CM			
00C5	LA69030330	LAR69030330	COUNTER FLANGE [C]			
00C6	LA69030320	LAR69030320	RING NUT [C] D. 116			
00C7	LA65321310	LAR65321310	CAP [C] USB SOCKET N/S			
00C8	LA65321331		CAP [C] PROBE SOCKET 2020			
00E1	LAR65280510		FERRITE TOROIDALE FT58			
00E2	LA65280250	LAR65280250	POWER FILTER [C]			
00E3	LA65280240	LAR65280240	FILTER [C] ELECTROMECHANICAL			
00E4	LAR65220300		TERMINAL BOARD			
00E5	LA65140430	LAR65140430	CONTACT [C]			1/29/2017
00E5	LA65140940	LAR65140940	CONTACT [C] 1L+1R 3RH2921-1DA11		1/30/2017	
00E6	LA65140970	LAR65140970	LIMITING DEVICE [C]		1/30/2017	
00E6	LA65147110	LAR65147110	LIMITING DEVICE [C]			1/29/2017
00E7	LA65140400	LAR65140400	CONTACTOR [C] 3RT1025-1AL20			1/29/2017
00E7	LA65140910		CONTACTOR [C]		1/30/2017	
00E8	LA65180430		TRANSFORMER [C] 40VA 0-220-240/12V			
00E8	LA65187110		TRANSFORMER [C] 40VA 2.5/12/24V	UL Version (USA-CAN)		
00E8	LA65187261		ALIMENTATORE LED APV-12-12 C/NTC	LED (ONLY FOR T3)	2/11/2019	
00E9	LA65070350	LAR65070350	THERMOSTAT [C] 360Å°C N/S/L			
00E9	LA65070370		THERMOSTAT [C] 360Å°C	UL Version (USA-CAN)		
00S1	LA65303620		BOARD [C] BASE NABOO 2022			
00S3	LA65302530	LAR65302530	EXPANSION BOAD [C] WASHING NABOO			
00S5	LAR65140090		INVERTER [C] 0,8KW UL	UL Version (USA-CAN)		
00S5	LAR65140100		INVERTER 0,8 KW		4/1/2018	
00S5	LAR65141040		INVERTER [C] 0.8KW			3/30/2018
00S6	LA65210020	LAR65210020	FUSE HOLDER [C] 5X20			
00S7	LA65210050	LAR65210050	FUSE HOLDER [C] 6,3X32			
00S8	LA65301750	LAR65301750	CABLE [C] SERIAL RJ45 L. 600			
00S9	LA65280480	LAR65280480	FERRITE [C]			
0C10	LA14402070	LAR14402070	CONNECTIONS FRAME [C]			
0C11	LA65321480		CONNECTOR [C] CORE PROBE 6 PIN. L=1000			
0C12	LA65321500		CORE PROBE [C] 4 POINTS W.PLUG N/S			

Pos.	Code	Previous code	Description	Notes	From:	To:
0C13	LAR86020420	LA86020400	CORE TEMPERATURE PROBE BOX [C]			
0C14	LA65330070		LAUDSPEAKER [C] L=1400MM			
0C15	LAR80100101		PROFILO GUARNIZIONE NERO 2CRISTALLI 5M			
0C16	LA65302600	LAR65302600	CABLE [C] BOARD/USB OUTLET L. 850			
0C17	LAR65303030		ADHESIVE ANTENNA [C] BOARD NA 2014			
0C18	LA70010290	LAR70010290	GASKET [C] 115X2,5			
0E10	LA65060050	LAR65060050	FAN [C] D. 120			
0E11	LAR75300020		PLATE [C] FAN D. 120			
0E12	LAR65210110		PORTAFUSIBILE BUSMANN BCC3X38 (2306338)	UL Version (USA-CAN)		
0E13	LAR65200400		FUSIBILE X MOT. KTK-R-6 600V 6A CL. CC	UL Version (USA-CAN)		
0E15	LA65160810	LAR65160810	THERMIC SUPPORT	UL Version (USA-CAN)		

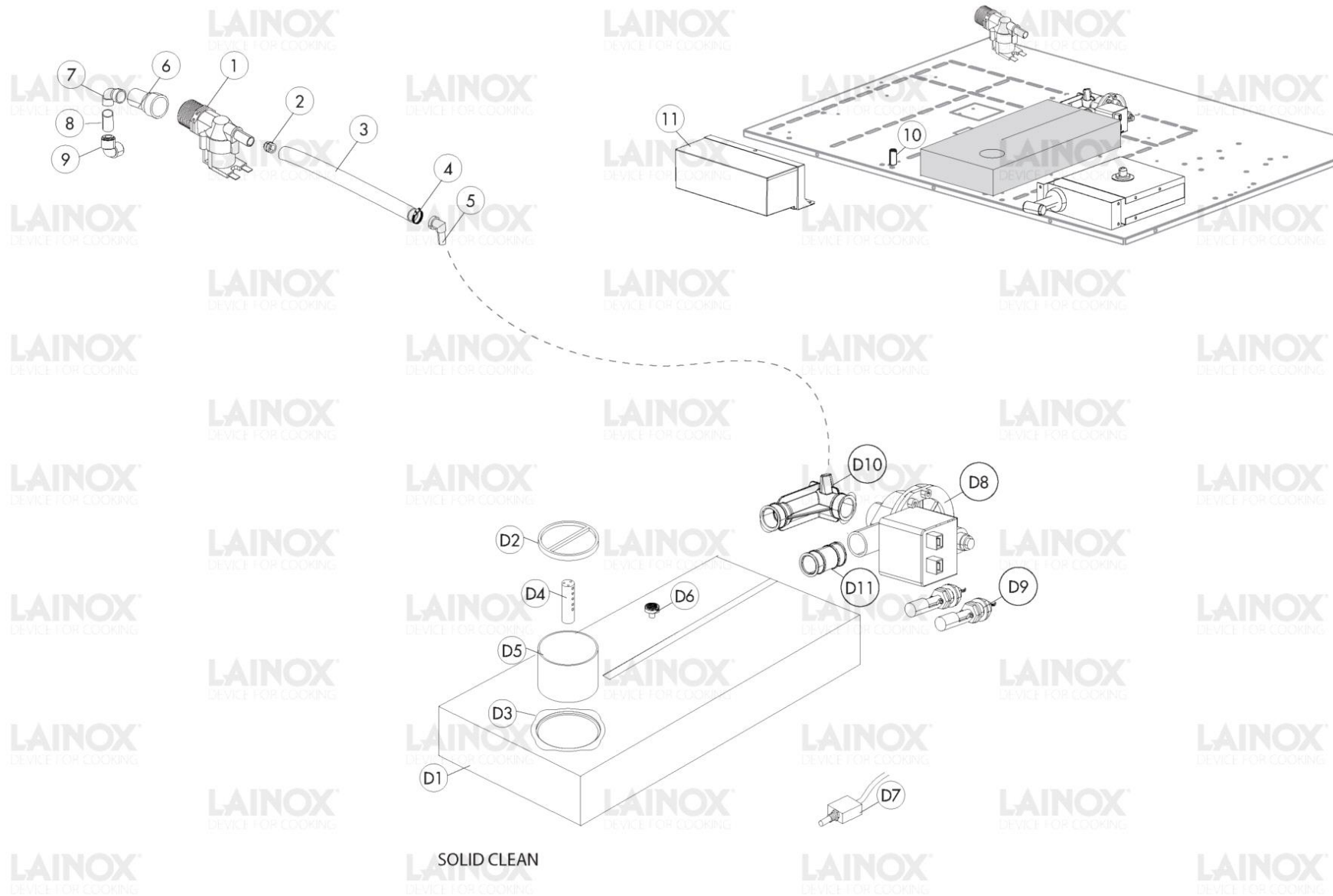


Warning! The exploded views refer to the general model

**TAV. D**



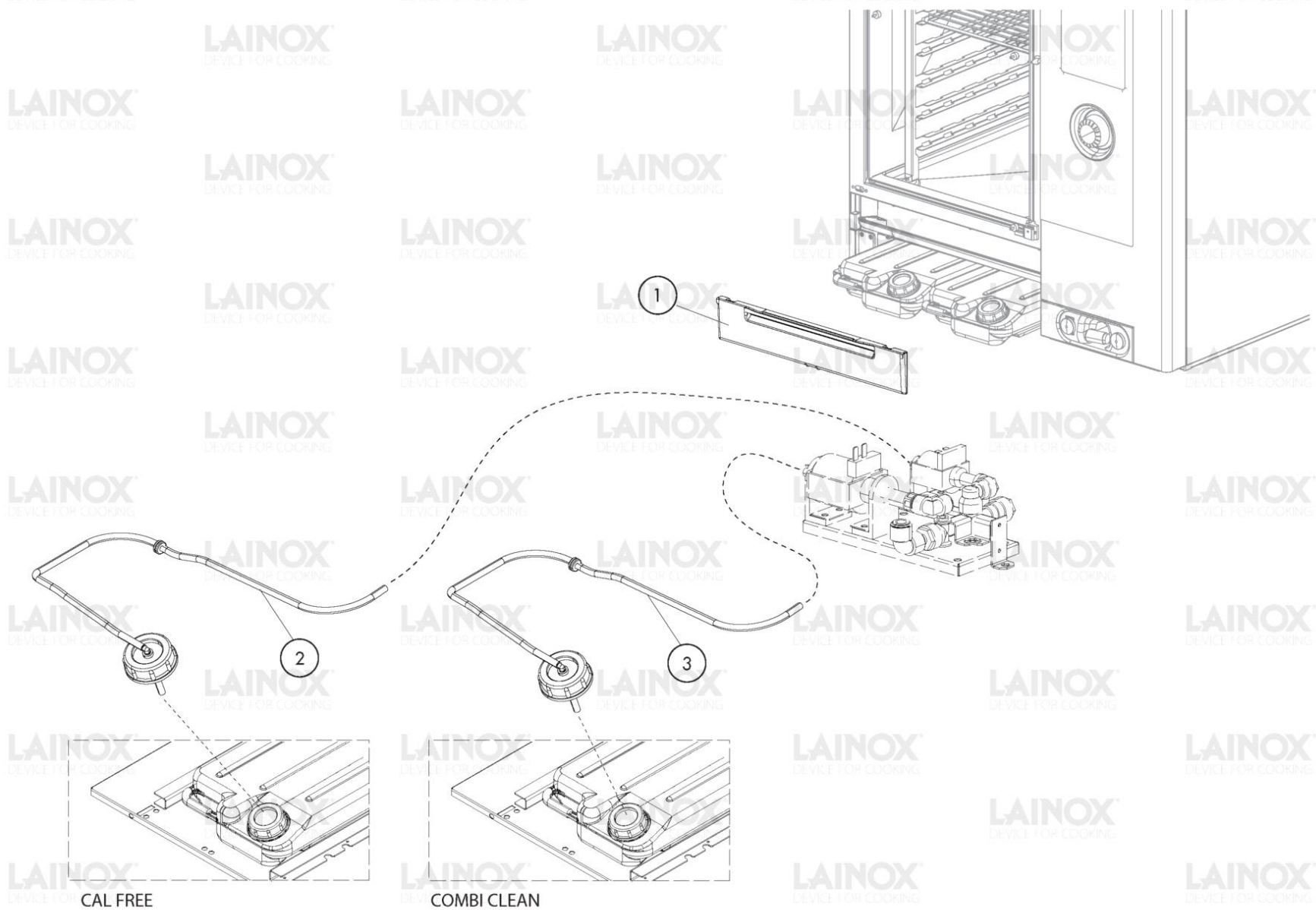
Pos.	Code	Previous code	Description	Notes	From:	To:
0001	LAR58007030		WASHING HEAD [C]			
0002	LAR70045120		GASKET [C] MOB WASHING			
0003	LAR58007020		FLANGE [C] MOB WASHING			
0004	LAR65090260		GEARMOTOR [C]			
0005	LA14170300		KIT DETERGENT WASHING PIPE [C] N/ S071-101-072-102			
0006	LA62090478	LAR62090478	CONNECTION [C] 90° F/F D.10			
0007	LA80150000		PIPE [C] LIGHT BLUE D. 10X7MM			
0008	LA62090888	LAR62090888	CONNECTION [C] JG 3WAY WASHING		7/7/2014	
0009	LA80150020	LAR80150020	TRANSPARENT POLIURETHANE PIPE [C] D. 8X6MM			
0010	LA62090498	LAR62090498	CONNECTION [C] 90° F/F D.8			
0011	LA62090608	LAR62090608	CONNECTION [C] JG M/M D.8-1/8			
0012	LAR65110600		PUMP [C] PULSE BIG 230V 50HZ			
0013	LA65110610		HOLDER [C] PUMP			
0014	LA80150020	LAR80150020	TRANSPARENT POLIURETHANE PIPE [C] D. 8X6MM			
0015	LA62090878	LAR62090878	INTERMEDIATE STRAIGHT CONNECTOR [C] D. 8			
0016	LAR65110240		SOLENOID VALVE [C] 220V 50HZ 3 OUTLETS JG CONNECTION			3/2/2015
0016	LAR65110360		SOLENOID VALVE [C] 3 WAYS 230V 50/60HZ OUT JG F D10		3/3/2015	
0016	LAR65110790		SOLENOID VALVE [C] 230V 50/60HZ	UL Version (USA-CAN)		
0018	LA80150000		PIPE [C] LIGHT BLUE D. 10X7MM			
0019	LA62200172	LAR62200172	SHOWER HEAD [C] N071/101/072/102 2014			
0020	LA80120060	LAR80120060	TRANSPARENT SILICONE PIPE [C] SR60/TR 7/12			



Warning! The exploded views refer to the general model

**TAV. E - SCS**

Pos.	Code	Previous code	Description	Notes	From:	To:
0001	LA65110200	LAR65110200	SOLENOID VALVE [C] 220V 50HZ 1 OUTLET JG CONNECTION			
0002	LA65110530	LAR65110530	MASS FLOW PURPLE REGULATOR [C] 2L/MIN			
0003	LA80120060	LAR80120060	TRANSPARENT SILICONE PIPE [C] SR60/TR 7/12			
0004	LA61630121	LAR61630121	SPRING BAND [C] D. 13,7MM - min. 10 pcs or multiples			
0005	LA62090938	LAR62090938	CONNECTOR [C] D.8			
0006	LA65110690	LAR65110690	CONNECTOR [C]			
0007	LA62090528	LAR62090528	CONNECTION [C] 90° M/F D.10			
0008	LA80150000		PIPE [C] LIGHT BLUE D. 10X7MM			
0009	LA62090478	LAR62090478	CONNECTION [C] 90° F/F D.10			
0010	LA58006970		PIN [C] DRAWERS DIVISION N/S077-102 2014			
0011	LA69040070	LAR69040070	FALSE DRAWER [C]			
00D1	LAR14162580		COMPLETE DETERGET DRAWER [C]	50Hz		
00D1	LAR14166020		COMPLETE DETERGET DRAWER [C]	60Hz		
00D2	LA69040040	LAR69040040	CAP [C] N/S 2014 D. 90			
00D3	LA69040021		RING NUT [C] D.90			
00D4	LA69040050	LAR69040050	VAPORISER [C]			
00D5	LA69040060	LAR69040060	FILTER [C] WASHING DRAWERS N/S 2014			
00D6	LAR62090718		AIR FILTER [C]			
00D7	LAR65260900K		MICROSWITCH DRAWER SOLID CLEAN			
00D8	LA65110301		POMPA SINCR.220V50HZ30W(GRE MOD.931)2021	50Hz		
00D8	LA65110311		PUMP [C] SYNCR. 220V60HZ	60Hz		
00D9	LA65260910	LAR65260910	CONTROL [C] LEVEL			
0D10	LA69040140		CONNECTOR DRAWER DETERGENT PUMP			
0D11	LA69040150		CUFF [C] PUMP DETERGENT			



Warning! The exploded views refer to the general model

**TAV. F - LCS**

Pos.	Code	Previous code	Description	Notes	From:	To:
0001	LA69180340		DOOR [C] REMOVABLE TANKS			
0003	LA14171832		PREM.TUBO DETER.TAN.ANTIROTAN.N/S072/102			





Pos.	Code	Previous code	Description	Notes	From:	To:
0001	LA62090898	LAR62090898	MANIFOLD [C]			
0002	LA80150020	LAR80150020	TRANSPARENT POLIURETHANE PIPE [C] D. 8X6MM			
0003	LAR65110620		PUMP [C] PULSE SMALL 230V 50HZ			
0004	LA65110630	LAR65110630	HOLDER [C] PUMP			
0005	LA80150020	LAR80150020	TRANSPARENT POLIURETHANE PIPE [C] D. 8X6MM			
0006	LA62090798	LAR62090798	CONNECTION [C] JG STRAIGHT F/F D.8-6			
0007	LA80150030	LAR80150030	PIPE [C] D. 6X4			