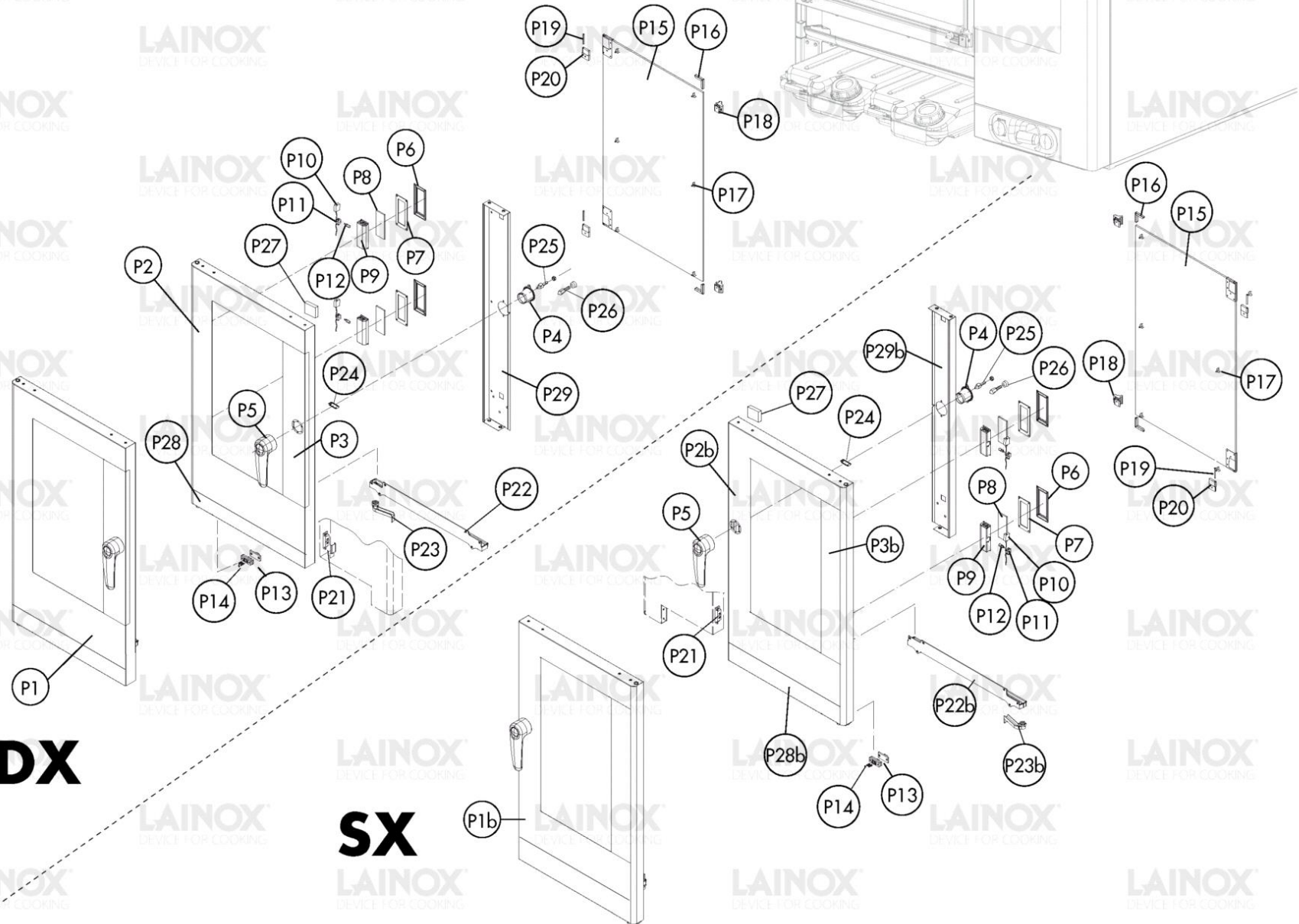


Warning! The exploded views refer to the general model

TAV. A

Pos.	Code	Previous code	Description	Notes	From:	To:
0001	LAR65040600		MOTOR [C] 220/240V 0,25KW ONE SPEED			
0001	LAR65041300		MOTOR [C] 230V 50/60HZ 0,25KW ONE SPEED	UL Version (USA-CAN)		
0002	LA58003870	LAR58003870	COUNTER FLANGE [C]			
0003	LA70020040	LAR70020040	GASKET [C]			
0004	LA58003860	LAR58003860	FLANGE [C] GASKET			
0005	LA75400570	LAR75400570	FAN [C] D.240X80/6 P.D. 50HZ . K_081 T07			
0006	LA61400052		WASHER [C] D. 10,5X21X2 - MINIMUM 10 PIECES OR MULTIPLE			
0007	LA70030200		GASKET [C] GRAPHITE HEATING ELEMENTS			
0008	LAR65011930		HEATING ELEMENT [C] 10000W 230V			
0008	LAR65011940		HEATING ELEMENT [C] 10000W 208V	UL Version 208V (USA-CAN)		
0008	LAR65011970		HEATING ELEMENT [C] 10000W 277V D.8,5	UL Version 277V (USA-CAN 3AC 480V)		
0009	LA70010370	LAR70010370	GASKET [C]			
0010	LAR58006690		CAP [C] SERIE 2014			
0011	LAR11200650		EXTENSION [C] VAPORISEUR M/061			
0012	LA14219610		PIPE [C] CONNECTOR HUMIDIFIER N/S_071 2017			
0013	LA62090908	LAR62090908	CONNECTION [C] JG STRAIGHT F/F D.10			
0014	LA80150060	LAR80150060	PIPE [C] PEX-B D. 10MM L.100M			
0015	LA62090528	LAR62090528	CONNECTION [C] 90° M/F D.10			
0016	LAR65110230		SOLENOID VALVE [C] 2 OUTLETS 1P+1D J.G. 220V 50HZ			3/2/2015
0016	LAR65110340		SOLENOID VALVE [C] 2 WAYS 230V 50/60HZ OUT JG F D10		3/3/2015	
0016	LAR65110780		SOLENOID VALVE [C] 230V50/60HZ	UL Version (USA-CAN)		
0017	LA62090518	LAR62090518	CONNECTOR [C] END SIDE PIPE 10X1/4			
0018	LAR70010050		GASKET [C] 7,60X2,62			
0019	LA62030113	LAR62030113	COUPLING [C] BRASS REDUCTION			
0020	LAR63070050		WATER PRESSURE SWITCH [C] 500/350 mbar -1/8			
0021	LAR65095000		RELEASE MOTOR [C] COMPLETE - 1 CAM			
0022	LAR14170570		PIPE [C] MOTORIZED VENT N/S071 T07			
0023	LAR70030180		GRAPHITE GASKETS KIT [C] 80x50,3x3 SET 5 PIECES			
0024	LAR65320220		PROBE [C] K L. 1,5M			
0025	LA62070023	LAR62070023	BICONE [C] D. 6			
0026	LA62060223	LAR62060223	NUT [C] D. 6			
0027	LAR14201030		DEFLECTOR [C] N/S071 2014			
0028	LA75300050	LAR75300050	PLATE [C] FAN D. 270 N/S071 2014			
0029	LAR58003110		PIN [C] DEFLECTOR CLAMPING			

Pos.	Code	Previous code	Description	Notes	From:	To:
0030	LA14402130	LAR14402130	HINGE [C]			
0031	LA58000370	LAR58000370	PIN [C] UPPER HINGE			
0032	LA58004050	LAR58004050	NUT [C]			
0033	LA11207240	LAR11207240	LOWER HINGE KIT [C] M-V/061-101-102 2005			
0035	LA58000360	LAR58000360	NUT [C]			
0036	LA70048004	LA70048003	GUARNIZ.FACCIATA PORTA T07 P.80100612			
0037	LAR69180210		DRAIN CONTAINER [C] N/S071-101 2014			
0038	LA69180250	LAR69180250	FILTER [C] DRIP COLLECTOR DRAIN			
0039	LA14443100		RACK [C] GN N/S 071 7 LEVELS			
0040	LAR10201710		AIR FILTER [C] DRAIN M/210-12 D.86/44,5			
0041	LAR70030180		GRAPHITE GASKETS KIT [C] 80x50,3x3 SET 5 PIECES			
0042	LA70060040	LAR70060040	SILICONE COUPLING [C] D. INNER 51 D. EXTERIOR 59			
0043	LA70060080		SILICONE COUPLING [C] D. 13X18X80			
0044	LAR69180120		BOX [C] DRAIN PIPE G/MV T06-T10-T21			
0045	LA58000740		NOZZLE [C] D. 0,80	Su tubo scarico / On drain pipe		
0045	LA58006160		NOZZLE [C] D. 0,80	Su scatola condensazione / On quenching box		
0046	LA62090633	LAR62090633	CURVED CONNECTOR [C] 10/10			
0047	LA70050150	LAR70050150	GASKET [C] BOILER CAP			
0048	LA69150100	LAR69150100	CAP [C]			
0049	LA61630031	LAR61630031	ZINC CLAMP [C]- min. 10 pcs or multiples			
0050	LA62280038	LAR62280038	CURVE [C]			
0051	LAR65240030		FAIRLEAD [C]			



DX

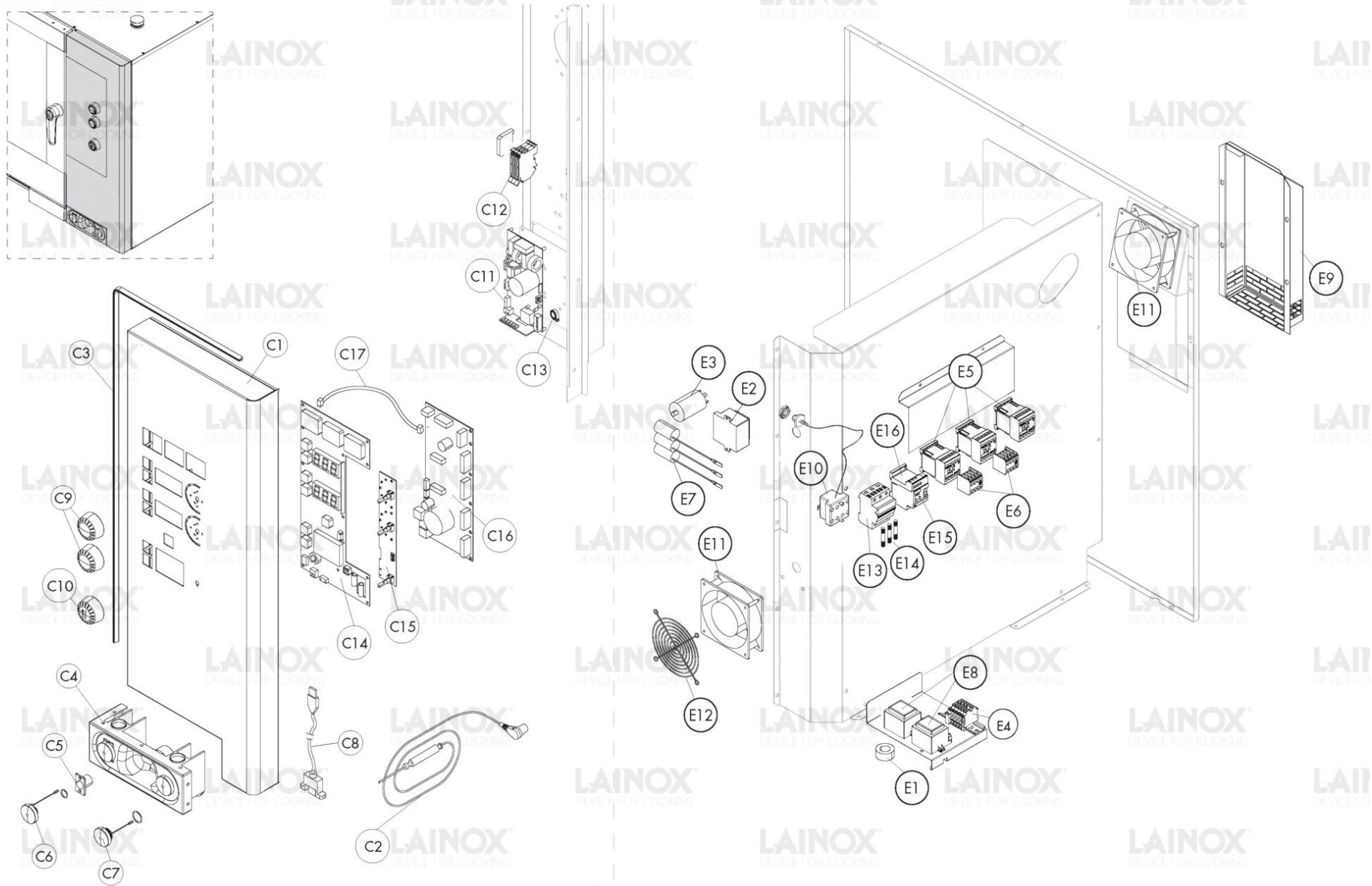
SX

Warning! The exploded views refer to the general model

TAV. B - LCS

Pos.	Code	Previous code	Description	Notes	From:	To:
00P1	LAR14172080		PORTA COMPLETA SA_071 C/TANICHE PORTA COMPLETA SA_071 C/TANICHE	HALOGEN		10/18/2019
00P1	LAR14184300		PORTA COMPLETA SA_071 C/TANICHE LED PORTA COMPLETA SA_071 C/TANICHE LED	LED	10/21/2019	
00P2	LAR14203660A		PORTA ESTERNA SA_071 C/TANICHE	HALOGEN		10/18/2019
00P2	LAR14203660H		PORTA ESTERNA SA_071 C/TANICHE LED	LED	10/21/2019	
00P3	LA67016811		RIVESTIMENTO PORTA C/MAN. SA_071R-072R			
00P4	LAR69010630		COVERING [C] GROUP 6303 CLOSING			
00P5	LA69010190	LAR69010190	LOCK [C] 6303 N/S2014			
00P6	LA11401450		FLANGE [C] BULB GLASS			10/18/2019
00P6	LA65270590		LAMP [C] LED L=130MM 12V DC	REPLACE P6-P7-P8-P9-P11-P12	10/21/2019	
00P7	LA65270590		LAMP [C] LED L=130MM 12V DC	REPLACE P6-P7-P8-P9-P11-P12	10/21/2019	
00P7	LA70044200		GASKET [C] BULB GLASS P2000			10/18/2019
00P8	LA65270590		LAMP [C] LED L=130MM 12V DC	REPLACE P6-P7-P8-P9-P11-P12	10/21/2019	
00P8	LA71500150		GLASS PLATE [C]			10/18/2019
00P9	LA11401440		LAMP COVER [C]			10/18/2019
00P9	LA65270590		LAMP [C] LED L=130MM 12V DC	REPLACE P6-P7-P8-P9-P11-P12	10/21/2019	
0P10	LA66110310		DOOR LIGHTS CABLE SET [C] M-V/061			10/18/2019
0P10	LA66115800		CABLAGGIO LUCI PORTA M-V/061		10/21/2019	
0P11	LA65270450		LAMP HOLDER [C]			10/18/2019
0P11	LA65270590		LAMP [C] LED L=130MM 12V DC	REPLACE P6-P7-P8-P9-P11-P12	10/21/2019	
0P12	LA65270590		LAMP [C] LED L=130MM 12V DC	REPLACE P6-P7-P8-P9-P11-P12	10/21/2019	
0P12	LAR65270020	LA65270020	BULB [C] 12V 20W G4 (KIT 5 pcs.)			10/18/2019
0P13	LAR65260752		LIGHT CONTACT [C] SR.2014 - FLOOR OVEN			
0P14	LA61600031	LAR61600031	GASKET [C] D. 3,2			
0P15	LAR71202210		GLASS PLATE [C]			
0P15	LAR71202210A		GLASS PANEL [C] REAR 494*590*6 REVERSAL DOOR	PER PORTA INCERNIERATA A DX-FOR RIGHT HINGED DOOR		
0P16	LA11423460	LAR11423460	PROTECTION [C] DOOR GLASS K E T 2011			
0P17	LAR70050180		SPACER [C] GLASS PLATE 15X8 (min.10 pcs or multiples)			
0P18	LAR17406230		GLASS BLOCK [C]		8/13/2018	
0P18	LAR58001780		CATCH [C] DOOR GLASS			8/10/2018

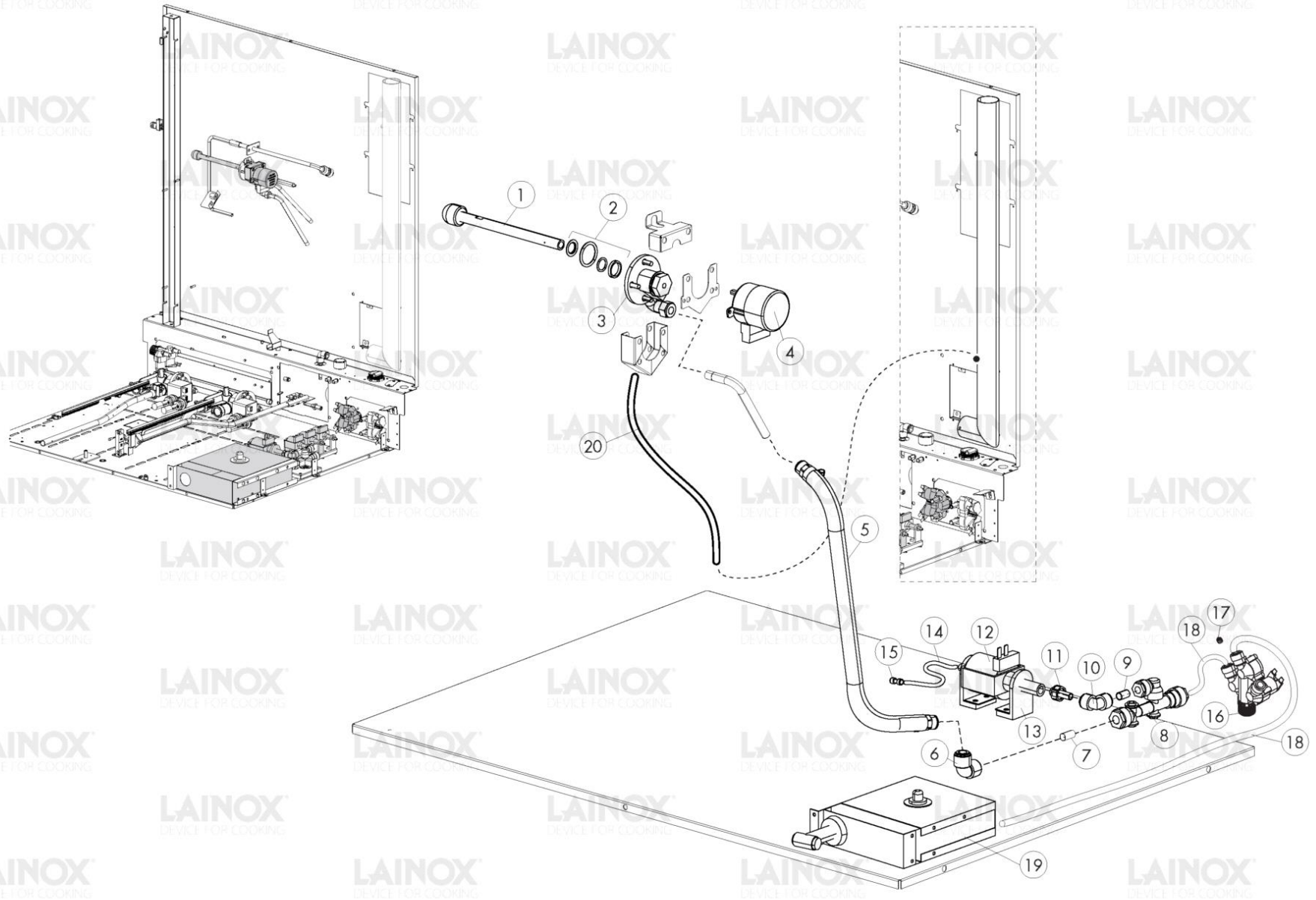
Pos.	Code	Previous code	Description	Notes	From:	To:
0P19	LA58001770	LAR58001770	PIN [C] GLASS HINGE SR2000			
0P1b	LAR14172770		PORTA CONTR.COMPLETA SA_071 C/TANICHE PORTA CONTR.COMPLETA SA_071 C/TANICHE	HALOGEN		10/18/2019
0P1b	LAR14184330		PORTA CONTR.COMPLETA SA_071 C/TAN LED PORTA CONTR.COMPLETA SA_071 C/TAN LED	LED	10/21/2019	
0P20	LA58001760	LAR58001760	HINGE [C] INTERNAL GLASS			
0P21	LAR65265100		MICROSWITCH [C] DOOR			
0P22	LAR69180220		DOOR CONTAINER [C] N/S071-101 2014			
0P23	LA69180011		WATER DRAIN [C] CONTAINER			
0P24	LA61620132	LAR61620132	SPRING [C] PRONG HOOK			
0P25	LA69010260	LAR69010260	PRONG [C] 1 STEP			
0P26	LAR69010270		DOOR LATCH 2 STEP [C]			
0P27	LA11420660	LAR11420660	FLANGE [C]			
0P28	LA67017890		DOOR COVER [C] N071/101 W/TANK			
0P29	LAR14408140		MON.DX INT.PORTA N/S071-072 C/TAN.C/CLIP			
0P2b	LAR14204080B		PORTA ESTERNA CONTRARIA SA_071 C/TANICHE	HALOGEN		10/18/2019
0P2b	LAR14204080H		PORTA ESTERNA CONTRARIA SA_071 C/TAN LED	LED	10/21/2019	
0P3b	LA67017211		RIVESTIMENTO PORTA S/MAN. SA_071R-072R			
P22b	LAR14202061		TRAY [C] LH DOOR N/S071-101 2014			
P23b	LA11202240	LAR11202240	WATER DRAIN [C] CONTAINER SR2000			
P28b	LA67017890		DOOR COVER [C] N071/101 W/TANK			



Warning! The exploded views refer to the general model

TAV. C

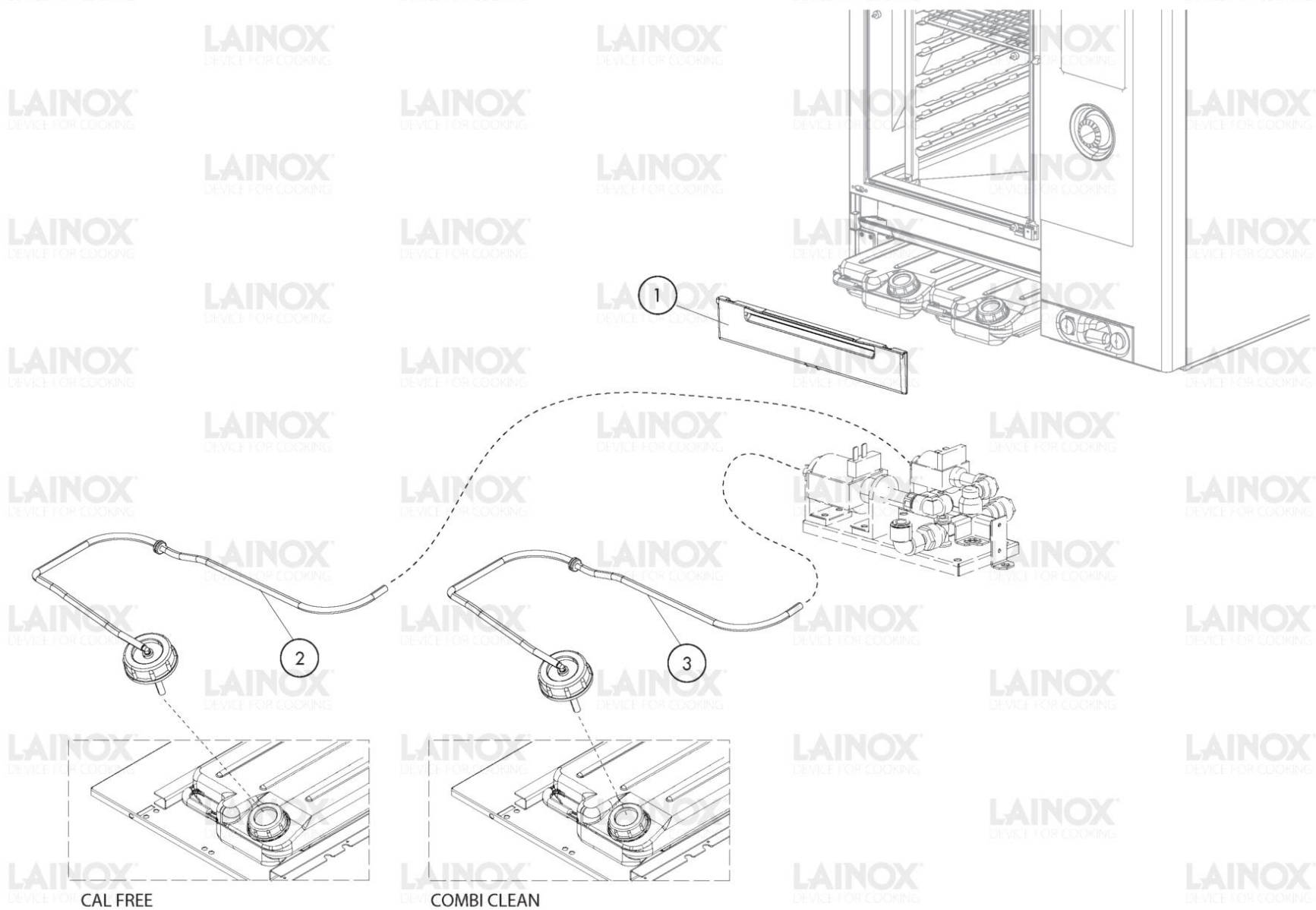
Pos.	Code	Previous code	Description	Notes	From:	To:
00C1	LAR14220110A		CONTROL PANEL [C] + KEYBOARD SA_071R LAINOX			
00C2	LA65321500		CORE PROBE [C] 4 POINTS W.PLUG N/S			
00C3	LAR80100101		PROFILO GUARNIZIONE NERO 2CRISTALLI 5M			
00C4	LA14402530	LAR14402530	CONNECTIONS FRAME [C]			
00C5	LA65321480		CONNECTOR [C] CORE PROBE 6 PIN. L=1000			
00C6	LA65321331		CAP [C] PROBE SOCKET 2020			
00C7	LA65321310	LAR65321310	CAP [C] USB SOCKET N/S			
00C8	LA65302600	LAR65302600	CABLE [C] BOARD/USB OUTLET L. 850			
00C9	LA69030380		KNOB [C] D. 46			
00E1	LA65280490		FERRITE [C] TOROIDAL FT36			
00E2	LA65450211		INDUCTOR [C] 27 mH 8A			
00E3	LA65280230	LAR65280230	AIR FILTER [C]			
00E4	LA65220091	LAR65220091	TERMINAL BLOCK [C] 3P+N+G			
00E5	LA65140900		CONTACTOR [C] 3RT2016-1AP02			
00E6	LA65140930	LAR65140930	CONTACT [C] 1L+1R 3RH2911-1HA11			
00E7	LA65280200		AIR FILTER [C]			
00E8	LA65180420		TRANSFORMER [C] 20VA 0-220-240/12V			
00E8	LA65187261		ALIMENTATORE LED APV-12-12 C/NTC	LED (ONLY FOR T3)	10/21/2019	
00E9	LA14424581		BOX [C] AIR CONVEYOR			
0C10	LA69030400		KNOB [C] D. 46 W/LOGO			
0C11	LAR65140090		INVERTER [C] 0,8KW UL	UL Version (USA-CAN)		
0C11	LAR65140100		INVERTER 0,8 KW			
0C12	LA65210020	LAR65210020	FUSE HOLDER [C] 5X20			
0C13	LA65280480	LAR65280480	FERRITE [C]			
0C14	LA65302990		KEYBOARD BOARD [C] VERTICAL 2 RELOADED			
0C15	LA65303010		BOARD [C] ENCODER VERTICAL S R.			
0C16	LA65302680		BOARD [C] BUZZER S			
0C16	LA65302980		BOARD [C] CONTROL S R.			
0C17	LA65303230		CABLE [C] COLLEG.BASE-TASTIERA L=600			
0E10	LA65070350	LAR65070350	THERMOSTAT [C] 360Â°C N/S/L			
0E10	LA65070370		THERMOSTAT [C] 360Â°C			
0E11	LA65060050	LAR65060050	FAN [C] D. 120			
0E12	LAR75300020		PLATE [C] FAN D. 120			



Warning! The exploded views refer to the general model

TAV. D

Pos.	Code	Previous code	Description	Notes	From:	To:
0001	LAR58007420		WASHING HEAD [C]			
0002	LAR70045120		GASKET [C] MOB WASHING			
0003	LAR58007020		FLANGE [C] MOB WASHING			
0004	LAR65090260		GEARMOTOR [C]			
0005	LA14170300		KIT DETERGENT WASHING PIPE [C] N/ S071-101-072-102			
0006	LA62090478	LAR62090478	CONNECTION [C] 90° F/F D.10			
0007	LA80150000		PIPE [C] LIGHT BLUE D. 10X7MM			
0008	LA62090888	LAR62090888	CONNECTION [C] JG 3WAY WASHING		7/7/2014	
0009	LA80150020	LAR80150020	TRANSPARENT POLIURETHANE PIPE [C] D. 8X6MM			
0010	LA62090498	LAR62090498	CONNECTION [C] 90° F/F D.8			
0011	LA62090608	LAR62090608	CONNECTION [C] JG M/M D.8-1/8			
0012	LAR65110600		PUMP [C] PULSE BIG 230V 50HZ			
0013	LA65110610		HOLDER [C] PUMP			
0014	LA80150020	LAR80150020	TRANSPARENT POLIURETHANE PIPE [C] D. 8X6MM			
0015	LA62090878	LAR62090878	INTERMEDIATE STRAIGHT CONNECTOR [C] D. 8			
0016	LAR65110240		SOLENOID VALVE [C] 220V 50HZ 3 OUTLETS JG CONNECTION			3/2/2015
0016	LAR65110360		SOLENOID VALVE [C] 3 WAYS 230V 50/60HZ OUT JG F D10		3/3/2015	
0016	LAR65110790		SOLENOID VALVE [C] 230V 50/60HZ	UL Version (USA-CAN)		
0018	LA80150000		PIPE [C] LIGHT BLUE D. 10X7MM			
0019	LA62200172	LAR62200172	SHOWER HEAD [C] N071/101/072/102 2014			
0020	LA80120060	LAR80120060	TRANSPARENT SILICONE PIPE [C] SR60/TR 7/12			



Warning! The exploded views refer to the general model

TAV. F - LCS

Pos.	Code	Previous code	Description	Notes	From:	To:
0001	LA69180340		DOOR [C] REMOVABLE TANKS			
0003	LA14171801		KIT DETERGENT WASHING PIPE [C] N/S071			