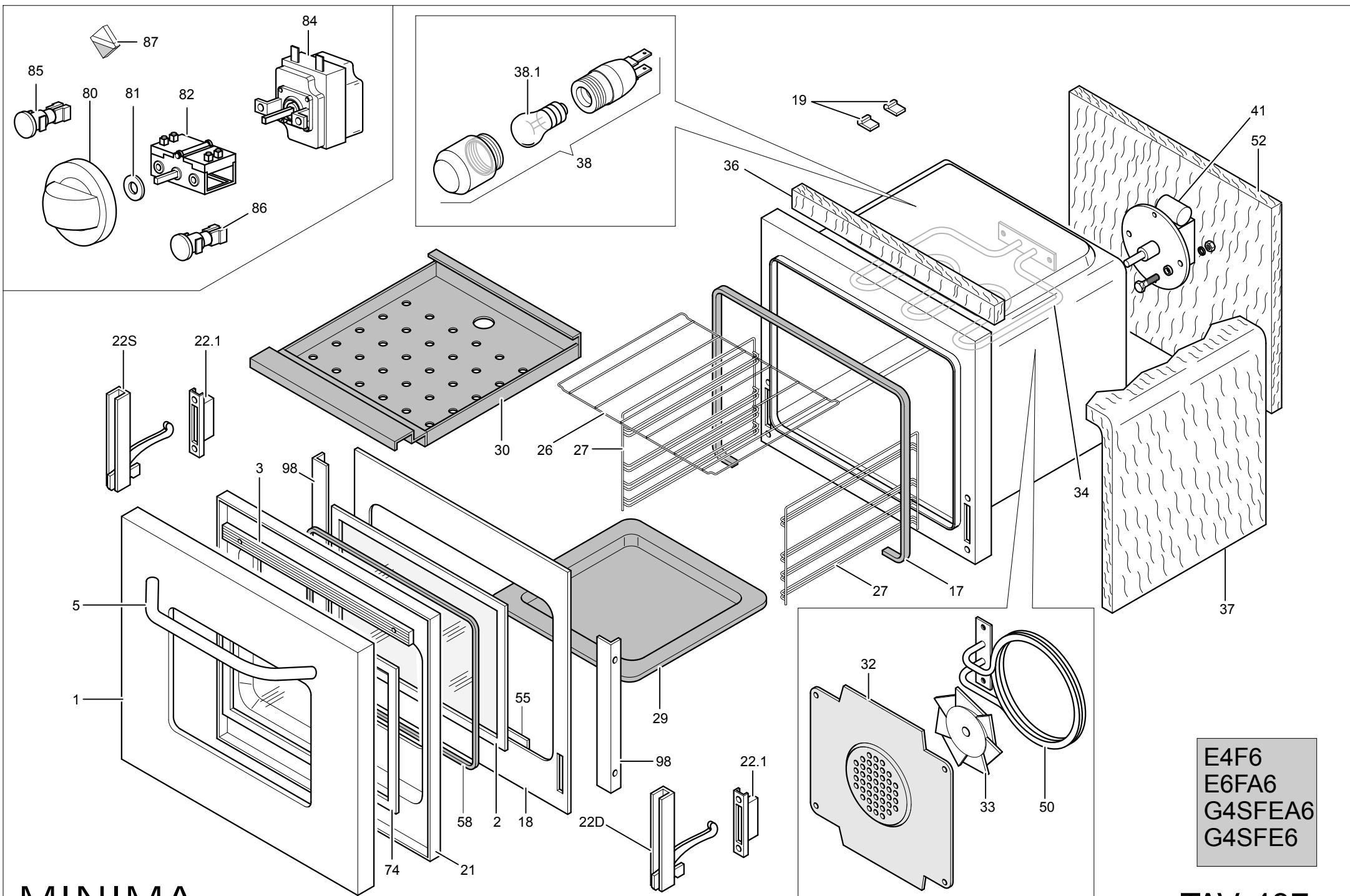


G4SFE6

MINIMA

TAV. 436

| TABLE | POS. | CODE | ITALIAN | ENGLISH | FRANÇAIS | DEUTSCH |
|---------------|------|------------|--------------------------------------|----------------------------|--|---------------------------------|
| MINIMATAV.436 | 1 | PACU600340 | CRUSCOTTO G4SFE6 | REFERENCE FIRES | TABLEAU CONTR. G4SF6 | ARMATURENBRETT |
| MINIMATAV.436 | 2 | PACU600049 | PLACCA G4S6 | WORK PLANE | PLAN DE CUISSON | PLATTE |
| MINIMATAV.436 | 3 | PACU600054 | POSTERIORE INOX G4S6 | STAINLESS STEEL BACK PANEL | PANNEAU POSTÉRIEURE INOX | INOX-RÜKWAND |
| MINIMATAV.436 | 4 | PACU600002 | FIANCO SX G4S6 | LEFT SIDE | CÔTÉ GAUCHE | RECHTE SEITE |
| MINIMATAV.436 | 5 | GACU600007 | AS.CAMINETTO SUP.G4S6/1 | CHIMNEY | CHEMINÉE | SCHORNSTEIN |
| MINIMATAV.436 | 6 | RTCU600019 | GRIGLIA PL.G4S6 NERA/LUC/RAAF | GRATE G4S6 | GRILLE G4S6 | ROST |
| MINIMATAV.436 | 7 | PACU600003 | FIANCO DX G4S6 | RIGHT SIDE | CÔTÉ DROITE | RECHTE SEITE |
| MINIMATAV.436 | 9 | RTCU600112 | TU.AL.BRUC.ANT.SX G4S6 | TUBO AL.ANTERIORE SX | TUYAU D'ALIMENTATION ANTÉRIEUR GAUCHE | TUBO AL.ANTERIORE SX |
| MINIMATAV.436 | 10 | RTCU600017 | BRUC.3KW+I.D.1,15 G4S6 803/22 | BURNER 3KW | BRÛLEUR 3KW | BRENNER 3KW |
| MINIMATAV.436 | 11 | RTCU600043 | SPARTIFIAMMA 3KW G4S6 806/3 | BURNER CAP 3KW | CHAPEAU DU BRÛLEUR 3KW | FLAMMERBRENNER 3KW |
| MINIMATAV.436 | 12 | RTCU600044 | COPERCHIO BRUC.3KW 809/31 | COVER 3KW | COUVERCLE 3KW | BECKENABDECKUNG 3KW |
| MINIMATAV.436 | 13 | RTCU600113 | TU.AL.BRUC.POST.SX G4S6 | TUBO AL.POSTERIORE SX | TUYAU D'ALIMENTATION POSTÉRIEUR GAUCHE | TUBO AL.POSTERIORE SX |
| MINIMATAV.436 | 14 | RTCU600018 | BRUC.3,6KW+I.D1,35 G4S6 740/58 | BURNER 3,6KW | BRÛLEUR 3,6KW | BRENNER 3,6KW |
| MINIMATAV.436 | 15 | RTCU600042 | SPARTIFIAMMA 3,6KW G4S6 741/03 | BURNER CAP 3,6KW | CHAPEAU DU BRÛLEUR 3,6KW | FLAMMERBRENNER 3,6KW |
| MINIMATAV.436 | 16 | RTCU600040 | COPERCHIO EST.BRUC.3,6KW 744/3 | COVER 3,6KW | COUVERCLE 3,6KW | BECKENABDECKUNG 3,6KW |
| MINIMATAV.436 | 17 | RTCU600041 | COPERCHIO CENT.B.3,6KW 943/31 | COPERCHI CENTR. 3,6KW | COPERCHI CENTR. 3,6KW | COPERCHI CENTR. 3,6KW |
| MINIMATAV.436 | 18 | RTCU600021 | T/COPPIA BRUC.3KW 810 | THERMOCOUPLE 3KW | THERMOCOUPLE 3KW | THERMOELEMENT 3KW |
| MINIMATAV.436 | 19 | RTCU600045 | CAND.ACC.BRUC.3KW 812 | SPARK PLUG3KW | ELECTRODE ALLUMAGE ACC.3KW | ZÜDKERZE3KW |
| MINIMATAV.436 | 20 | RTCU600089 | INIET.SAB/D.0.84 0222 | INJECTOR SAB D.084 | INJECTEUR SAB D.084 | EINSPRITZERSAB D.084 |
| MINIMATAV.436 | 21 | RTCU600046 | CAND.ACC.BRUC.3,6KW 746 | SPARK PLUG 3,6KW | ELECTRODE ALLUMAGE ACC. 3,6KW | ZÜDKERZE 3,6KW |
| MINIMATAV.436 | 22 | RTCU600039 | T/COPPIA BRUC.3,6KW 747 | THERMOCOUPLE 3,6KW | THERMOCOUPLE 3,6KW | THERMOELEMENT 3,6KW |
| MINIMATAV.436 | 23 | RTCU600101 | INIET.SAB/D.0.93 0222 | INJECTOR SAB D.093 | INJECTEUR SAB D.093 | EINSPRITZERSAB D.093 |
| MINIMATAV.436 | 24 | RTCU600064 | MANOP.RUB.V.G4S6 TURCH. | KNOB | BOUTON | DREHGRIF |
| MINIMATAV.436 | 25 | RTCU600054 | STAFFA FIS.RUB.V.G4S6 3755/6 | STIRRUP TAP | ROBINET ÉTRIER | * |
| MINIMATAV.436 | 26 | RTCU600016 | RUB.V.CUC.G4S6+GUAR.5631/1CE10 | TAP | ROBINET | HAHN |
| MINIMATAV.436 | 28 | RTCU700293 | MARCHIO RIF.FUOCHI P.L.G4S7 | REFERENCE FIRES | RÉFÉRENCE DE LES FEUX | HINWEIS-FEUER |
| MINIMATAV.436 | 29 | RTCU600193 | AS. RAMPA ZINC. | RIGHT SIDE | GR.RAMPE G4SFE6 ZING. | EINHEIT RAMPE ZINC. |
| MINIMATAV.436 | 31 | RTCU700292 | *MARCHIO+CLIPS MBM TURCH. | MBM MARK | MARQUE MBM | LOGO MBM |
| MINIMATAV.436 | 32 | RTCU600111 | TU.AL.BRUC.ANT.DX G4S6 | TUBO AL.ANTERIORE DX | TUYAU D'ALIMENTATION ANTÉRIEUR DROIT | TUBO AL.ANTERIORE DX |
| MINIMATAV.436 | 33 | RTCU600110 | TU.AL.BRUC.POST.DX G4S6 | TUBO AL.POSTERIORE DX | TUYAU D'ALIMENTATION POSTÉRIEUR DROIT | TUBO AL.POSTERIORE DX |
| MINIMATAV.436 | 34 | RTCU600190 | ACC.E.G4SF6 4USCITE BF5004650 | | ALL.E. 4SORTIES BF5004650 | EL. ZÜDUNG. 4AUSGÄNGE BF5004650 |
| MINIMATAV.436 | 35 | RTCU700294 | MARCHIO RIF.FUOCHI FORNO G4SF7 | TERMINAL BLOCK 6 POLES | MARQUE | MARK |
| MINIMATAV.436 | 36 | RTCU600476 | CAVO ADAT.ACCENSIONE G4S6 | | CABLE ADAP.ALLUMAGE G4S6 | ADAPTER KABEL ZÜDUNG |
| MINIMATAV.436 | 37 | RTCU900415 | CAVO AL.250/SEZ.1,5X3CAVI | FEEDING CABLE | CÂBLE DE ALIMENTATION | VERSORGUNGSKABEL |
| MINIMATAV.436 | 38 | RTCU600052 | DADO FIS.T/COPPIA G4S6 0814 | TUBO AL.POSTERIORE DX | ECROU FIX.T/COUPLE G4S6 0814 | MUTTER THERMOELEMEN 0814 |
| MINIMATAV.436 | 42 | RTCU600047 | MOLLETTA FIS.CAND.ACC.G4S6 813 | GRATE G4S6 | PINCE FIX.BOUG.ALL.G4S6 813 | KLEMMZANGE ZÜDKERZE |
| MINIMATAV.436 | 43 | PACU600341 | FIANCO G4SF6 | TUBO AL.ANTERIORE DX | COTE G4SF6 | SEITE |
| MINIMATAV.436 | 44 | RTBF900045 | MORSETTIERA 12M-PA220TV SIMB/1-6+1-6 | TERMINAL BLOCK 6 POLES | GROUPE DE CONNECTION 6 POLES | KLEMMBRETT 6 POLIG |
| MINIMATAV.436 | 45 | RTBF700021 | PASSACAVO PG16+DADO 53015140 | CHOCK Ø6 | CHAUMARD Ø6 | KABELDURCHGANG Ø6 |
| MINIMATAV.436 | 46 | RTCU600189 | PULSANTE ACC.G4SF6 NERO | TUBO AL.ANTERIORE DX | POUSSOIR ALL.G4SF6 NOIR | ZÜDKNOPF SCHWARZ |



E4F6
 E6FA6
 G4SFEA6
 G4SFE6

| TABLE | POS. | CODE | ITALIAN | ENGLISH | FRANÇAIS | DEUTSCH |
|---------------|----------|------------|-------------------------------------|---------------------|------------------------------------|---------------------------------|
| MINIMATAV.437 | 2 | RIC0002587 | *CRISTALLO I.G4SF6 9666320200 | GREEN WARNING LAMP | CRYSTAL INTERIEUR F/60 ANTHRACITE | KRISTALL INTERN F/60 DUNKELGRAU |
| MINIMATAV.437 | 3 | RIC0002674 | *LISTA RINF.MANIGL.3120001600 | GREEN WARNING LAMP | LATTE RENFORCEMENT POIGNEE E | VERSTÄRKUNGSLEISTE GRIFF UND |
| MINIMATAV.437 | 17 | RIC0002340 | *GUARNIZ.P.F.E4F6 9686373100 | GREEN WARNING LAMP | JOINT FAÇADE F/60 | DICHTUNG VORDERSEITE F/60 |
| MINIMATAV.437 | 18 | RIC0002675 | *FACCIATA 60 G NERO 3070001104 | GREEN WARNING LAMP | FAÇADE 60G.NOIRE | VORDERSEITE SCHWARZ 60 G. |
| MINIMATAV.437 | 21 | RIC0002676 | *C/PORTA RUS NERO 3040001404 | GREEN WARNING LAMP | FAUSSE PORTE RUS NOIRE | GEGENTÜR RUS SCHWARZ |
| MINIMATAV.437 | 22S | RIC0002134 | *CERN.SX PORTA G4F6 9626105100 | GREEN WARNING LAMP | CHARNIERE PORTE G.CHE F/E810 | SCHARNIER LINKE TÜR F/E810 |
| MINIMATAV.437 | 22.01 | RIC0002448 | *P/RULLINO G4F6 9226105200 | GREEN WARNING LAMP | PORTE-ROULEAU CHARNIERE PORTE | ROLLENFÜHRUNG TÜRSCHARNIER |
| MINIMATAV.437 | 22D | RIC0002133 | *CERN.DX PORTA G4F6 9626105000 | GREEN WARNING LAMP | CHARNIERE PORTE D.TE F/E810 | SCHARNIER RECHTE TÜR F/E810 |
| MINIMATAV.437 | 26 | 9626153500 | GRIGLIA INTERNA SAGOMATA F/60 | GREEN WARNING LAMP | GRILLE INTERIEURE FAÇONNEE F/60 | PROFILGITTER INNEN F/60 |
| MINIMATAV.437 | 27 | 9626155000 | GUIDA LATERALE F/60 | GREEN WARNING LAMP | GUIDE LATERALE F/60 | SEITLICHE FÜHRUNG F/60 |
| MINIMATAV.437 | 30 | 3180001800 | SCATOLA SUPPORTO BRUCIATORE GL | GREEN WARNING LAMP | BOITE SUPPORT BRULEUR GL | KASTENHALTERUNG BRENNER GL |
| MINIMATAV.437 | 50 | RIC0001835 | *R.CIRC.F.E4F6 2,5KW | GREEN WARNING LAMP | RESISTANCE 3SP 1500/3000W 220/240V | WIEDERSTAND |
| MINIMATAV.437 | 58 | RIC0002676 | *C/PORTA RUS NERO 3040001404 | GREEN WARNING LAMP | FAUSSE PORTE RUS NOIRE | GEGENTÜR RUS SCHWARZ |
| MINIMATAV.437 | 74 | RIC0002679 | *CRISTALLO INT.9666310200 | GREEN WARNING LAMP | CRYSTAL INTERIEUR FI/60 FIXE | KRISTALL INNEN FI/60 FEST |
| MINIMATAV.437 | 80 | RTCU600195 | MANOP.TERM.F.E4F6 | GREEN WARNING LAMP | BOUTON DU THERMOSTAT F E4F6 | THERMOSTATKUGELGRIFF |
| MINIMATAV.437 | 98 | 3200002900 | SQUADRA FISSA FORNO A FACCIATA | GREEN WARNING LAMP | EQUERRE FIXE FOUR A FAÇADE | FESTER BÜGEL EINBAU-OFEN |
| MINIMATAV437 | 1 | 3170004440 | BOMBATO PORTA F/60 INOX | GREEN WARNING LAMP | BOMBE PORTE F/60 INOX | GEWÖLBTE TÜR F/60 EDELSTAHL |
| MINIMATAV437 | 5 | RIC0002479 | *MANIGLIA INOX G4F6 9636273200 | GREEN WARNING LAMP | POIGNEE PONT INOX | EDELSTAHL BÜGELGRIFF |
| MINIMATAV437 | 29 | 3140000304 | PADELLA E NERO | GREEN WARNING LAMP | POELE E NOIRE | PFANNE SCHWARZ |
| MINIMATAV437 | 32 | 3150000119 | PANNELLO COPRIVENTOLA E AUTOPULENTE | GREEN WARNING LAMP | PANNEAU DE L'ABRI DU VENTILATEUR | TAFEL DER FÄCHER-DECKE |
| MINIMATAV437 | 34 | RIC0001836 | *R.GRILL E4F6 1,8KW 9303350400 | GREEN WARNING LAMP | RESISTANCE GRILL F/60 NIP | GRILLWIDERSTAND F/60 NIP |
| MINIMATAV437 | 36 | 9807211000 | PANNELLO ISOLANTE CIELO F/60 | YELLOW WARNING LAMP | PANNEAU ISOLANT CIEL F/60 | ISOLIERPANEEL OBEN F/60 |
| MINIMATAV437 | 37 | 9807207000 | MATERASSINO ISOLANTE F/60 | GREEN WARNING LAMP | PETIT MATELAS ISOLANT F/60 GAZ | ISOLIERMATTE F/60 GAS |
| MINIMATAV437 | 38.01.00 | RIC0002592 | *LAMP.P/LAMP.9303310100 | YELLOW WARNING LAMP | LAMPE | LAMPE |
| MINIMATAV437 | 38 | RIC0002549 | *P/LAMP.SCHER.G6SF6 9303310000 | YELLOW WARNING LAMP | DOUILLE | LAMPENHALTERUNG |
| MINIMATAV437 | 41 | 9343420000 | MOTOVENTILATORE 220/240V. | YELLOW WARNING LAMP | VENTILATEUR 220/240V | VENTILATOR 220/240V |
| MINIMATAV437 | 52 | 9807222000 | PANNELLO ISOLANTE SCHIENA F/60 | YELLOW WARNING LAMP | PANNEAU ISOLANT DOS F/60 | ISOLIERPANEEL |
| MINIMATAV437 | 55 | RIC0002677 | *SQ.VETRO C/PORTA 3200001740 | GREEN WARNING LAMP | EQUERRE FIXE VERRE FAUSSE PORTE | FESTER WINKEL GLAS GEGENTÜR |
| MINIMATAV437 | 82 | RTCU600185 | COMM.F.G4SFE6 4623966811 | YELLOW WARNING LAMP | COMMUTATEUR F G4SFED | KOMMUTATOR |
| MINIMATAV437 | 84 | RTCU600186 | T.E.E4F6 5519052846 | | THERMOSTAT E E4F6 | THERMOSTATE |
| MINIMATAV437 | 85 | RTCU900072 | LAMP.SP.GIALLA/250V/TBF013.SF6 | YELLOW WARNING LAMP | LAMPE TÉMOIN JAUNE | GELBE KONTROLLEUCHE |
| MINIMATAV437 | 86 | RTCU900290 | LAMP.SP.VERDE/250V/TBF013.SF6 | GREEN WARNING LAMP | LAMPE TEMOIN VERTE | GRÜNE KONTROLLEUCHE |
| MINIMATAV437 | 87 | RTCU700294 | MARCHIO RIF.FUOCHI FORNO G4SF7 | | MARQUE | MARK |