



EFTA998L

Catalogo parti di ricambio valido
dalla matricola 0000001 (31.10.2006) ad oggi (18.10.2024)

Catalogue pieces detachees
valable à partir du numero de Série n. 0000001 (31.10.2006) jusqu'à aujourd'hui
(18.10.2024)

Ersatzteilkatalog
gültig ab Serien-Nr. 0000001 (31.10.2006) bis heute (18.10.2024)

Spare parts catalogue
valid from serial no. 0000001 (31.10.2006) up today (18.10.2024)

Catálogo de peças de reposição
válido do número de série 0000001 (31.10.2006) até hoje (18.10.2024)

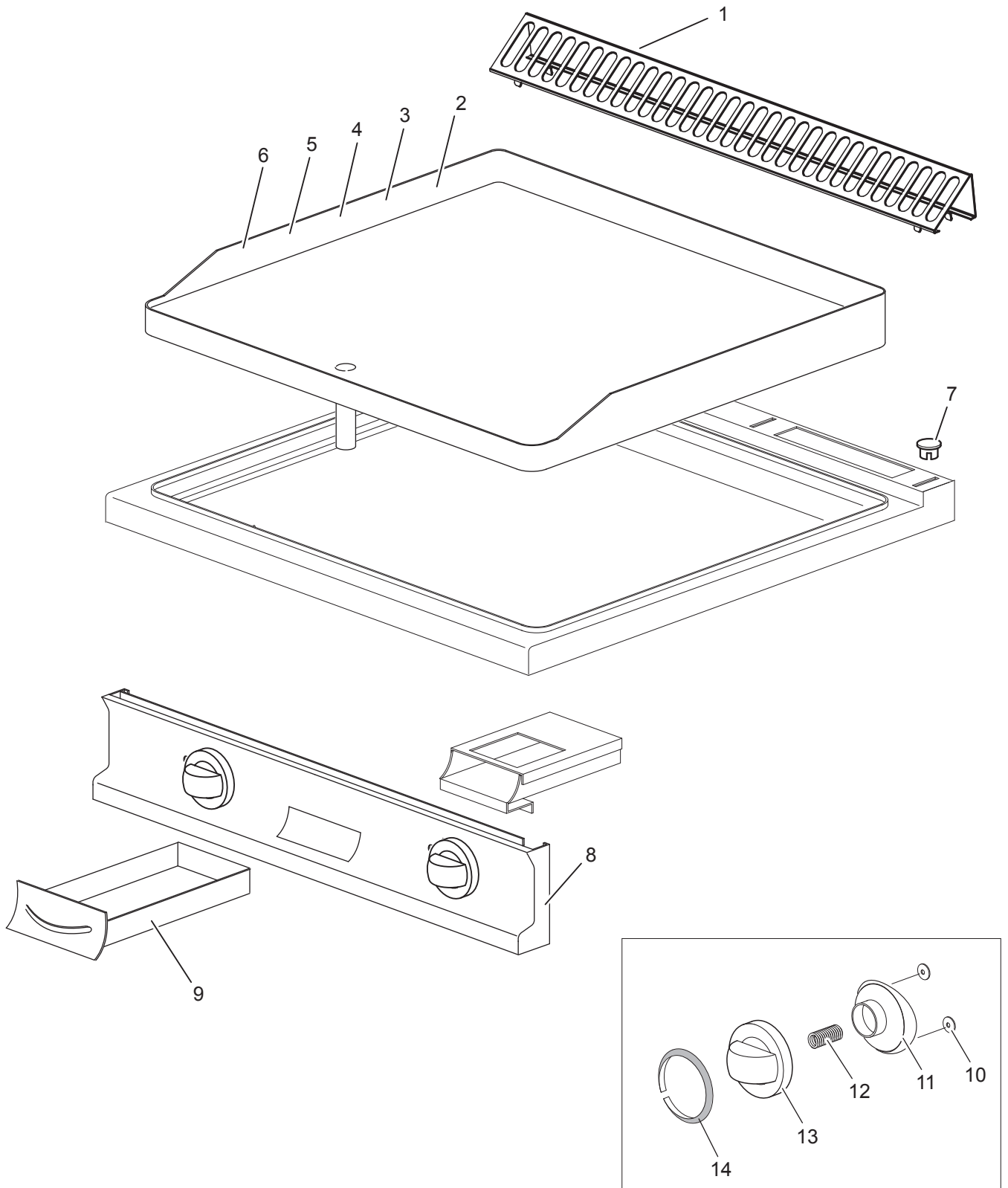
Le informazioni sono considerate non vincolanti. Le immagini rappresentate sono puramente indicative. Il produttore si riserva il diritto di apportare modifiche in qualsiasi momento senza preavviso.

Les informations données ne sont pas contraignantes. Les images montrées sont à titre indicatif. Le producteur se réserve le droit d'apporter des modifications sans préavis.

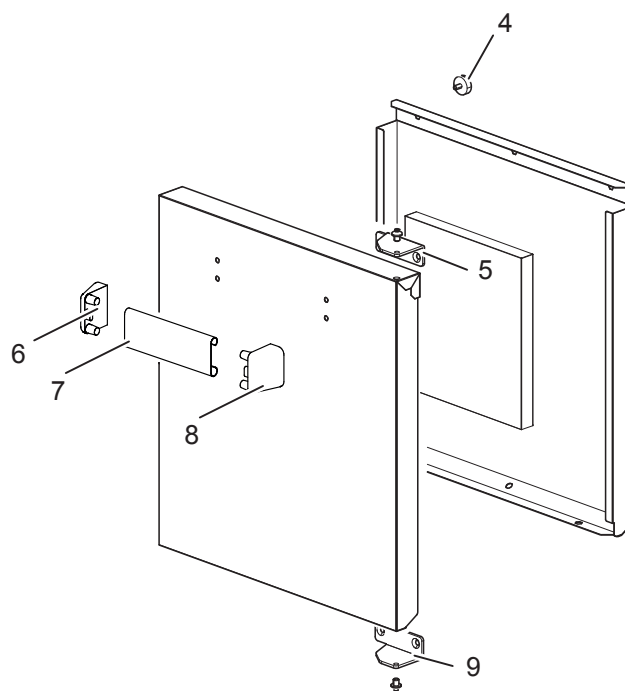
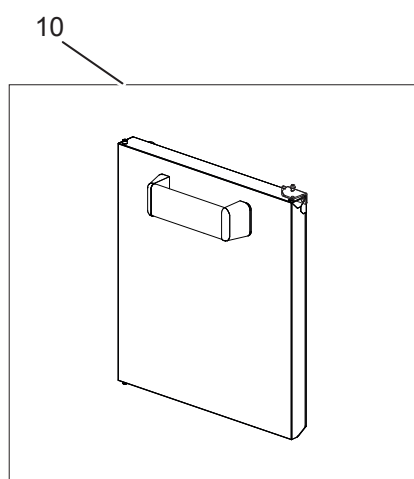
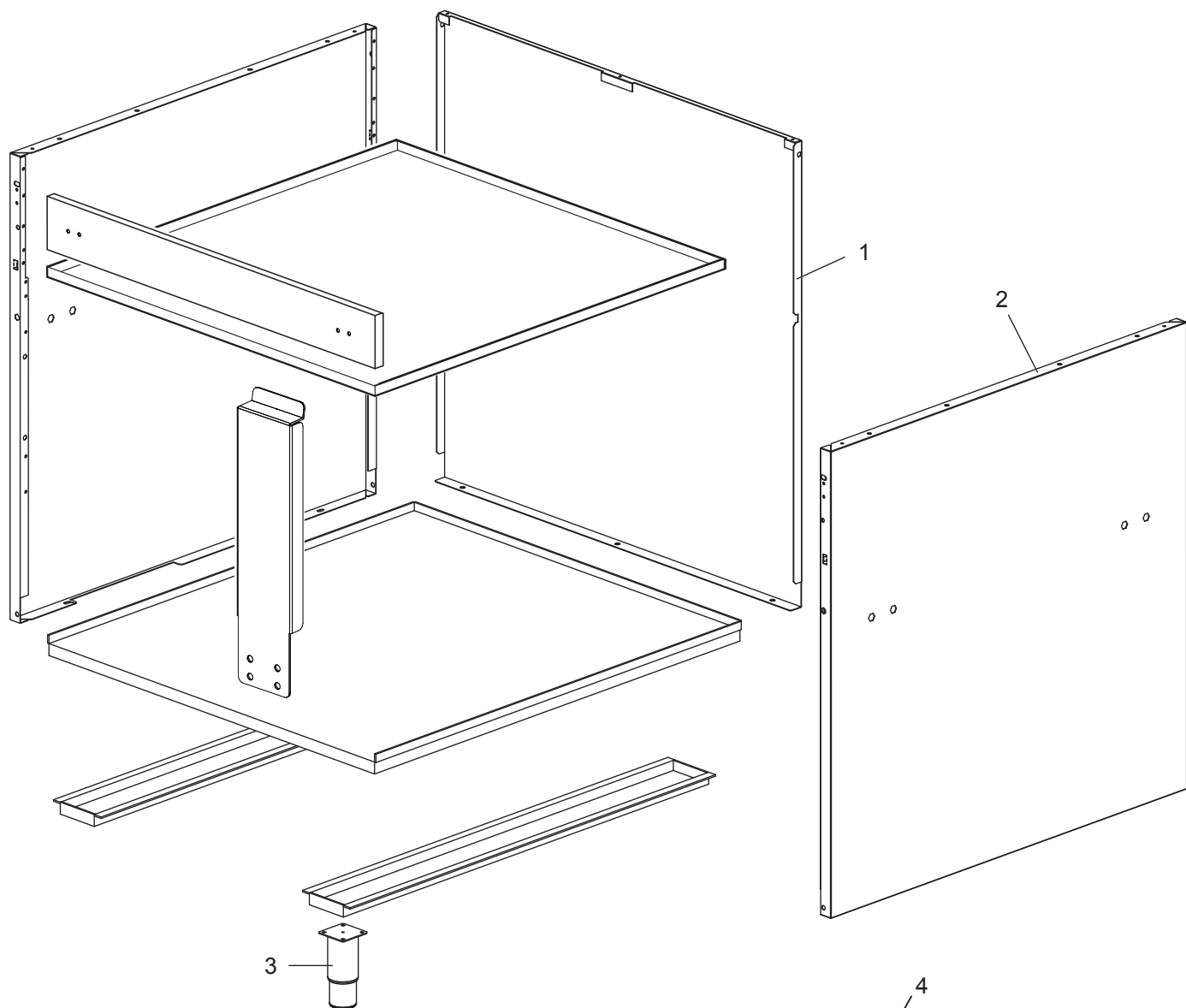
Die im vorliegenden Dokument aufgeführten Informationen und Bilder sind unverbindlich. Der Hersteller behält sich das Recht vor, jederzeit ohne vorherige Ankündigung Änderungen vorzunehmen

Info and drawing could be slightly different from reality and they cannot be considered as compelling. Manufacturer can modify info anytime without forewarning.

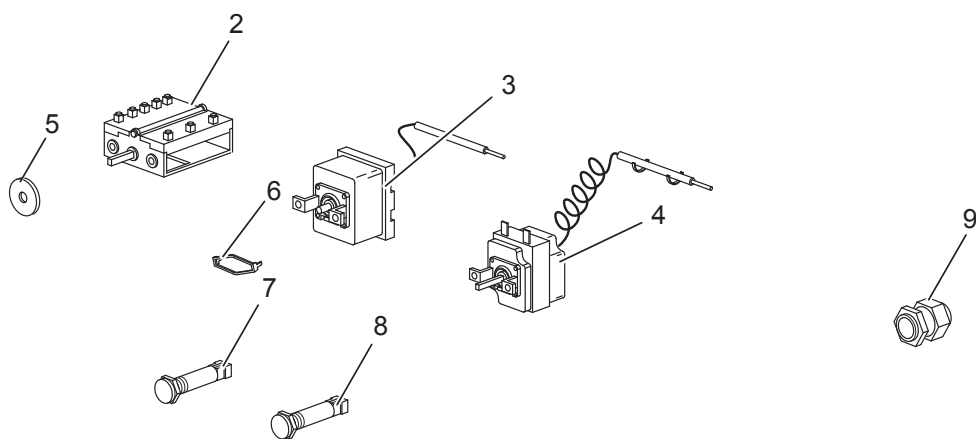
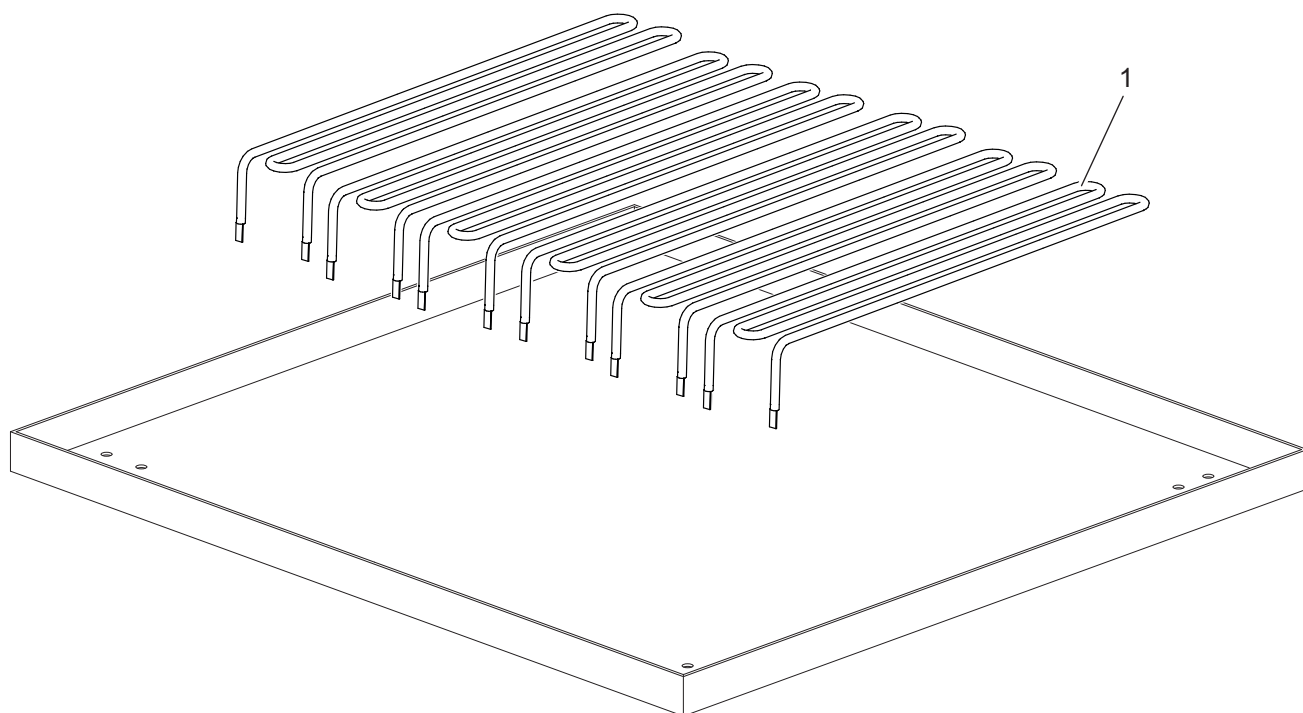
As Informações e desenhoS podem estar um pouco diferente da realidade e são puramente indicativas. O fabricante pode modificar estas informações a qualquer momento sem aviso prévio.



| Nr. | Code | Title | Recommended | € |
|------------|-------------|------------------------------------|--------------------|----------|
| 1. | 182799 | CHIMNEY GRILL | | 184,64 |
| 2. | 181277 | SMOOTH PLATE | | 1.527,11 |
| 3. | 181435 | SMOOTH CHROMED PLATE | | 1.774,99 |
| 4. | 181642 | SMOOTH RIBBED PLATE | | 1.606,59 |
| 5. | 182005 | SMOOTH RIBBED CHROMED PLATE | | 2.529,60 |
| 6. | 182004 | RIBBED PLATE | | 1.668,10 |
| 7. | 163603 | TOP CONNECTION | | 22,82 |
| 8. | 183464 | CONTROL PANEL | | 153,89 |
| 9. | RIC0004758 | OIL DRAWER COMPLETE | | - |
| 10. | 176318 | CLIPS | ✓ | 4,44 |
| 11. | 171439 | NUT | ✓ | 30,41 |
| 13. | 171436 | ELECTRIC CHROME KNOB BODY + SPRING | ✓ | 36,96 |
| 14. | 174327 | THERMOSTAT RING | ✓ | 16,93 |



| Nr. | Code | Title | Recommended | € |
|------------|-------------|---------------------|--------------------|----------|
| 1. | 180972 | <i>BACK SIDE</i> | | 169,22 |
| 2. | 180969 | <i>LATERAL SIDE</i> | | 224,58 |
| 3. | RTCU700277 | <i>FOOT</i> | | 53,62 |



| Nr. | Code | Title | Recommended | € |
|------------|-------------|--|--------------------|----------|
| 1. | RTBF800038 | HEATING ELEMENT 2KW | ✓ | - |
| 2. | RTBF900007 | COMMUTATOR EFT | ✓ | 48,78 |
| 3. | RTCU600067 | WORKING THERMOSTAT 300°C EFT | ✓ | 168,00 |
| 4. | RTCU800152 | THREE PHASE LIMIT THERM.350°C EGO-FRYERS | ✓ | 171,83 |
| 5. | RTCU800185 | GASKET FOR COMMUTATOR ROD | ✓ | 7,47 |
| 6. | RTBF900037 | LOW BRACKET COMMUTATOR/THERMOSTAT | ✓ | 2,20 |
| 7. | 166465 | GREEN WARNING LIGHT | ✓ | 12,41 |
| 8. | 166466 | ORANGE LAMP LIGHT | ✓ | 12,41 |
| 9. | RTBF800138 | CHOCK | | 22,95 |