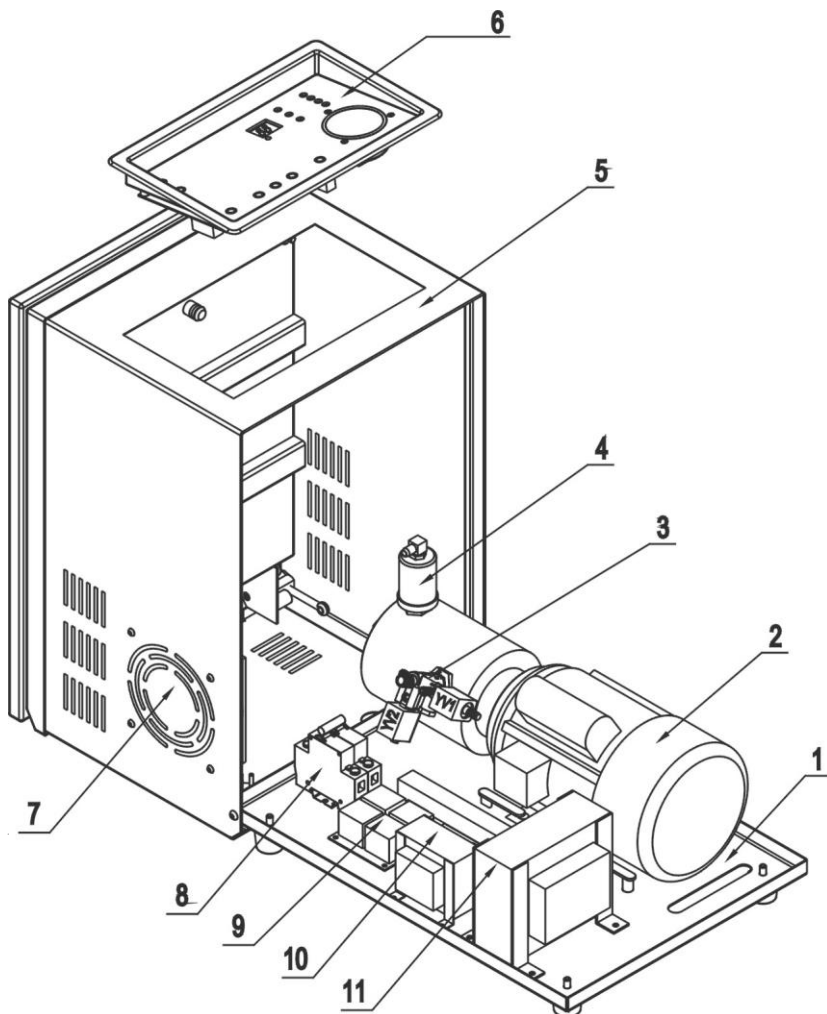


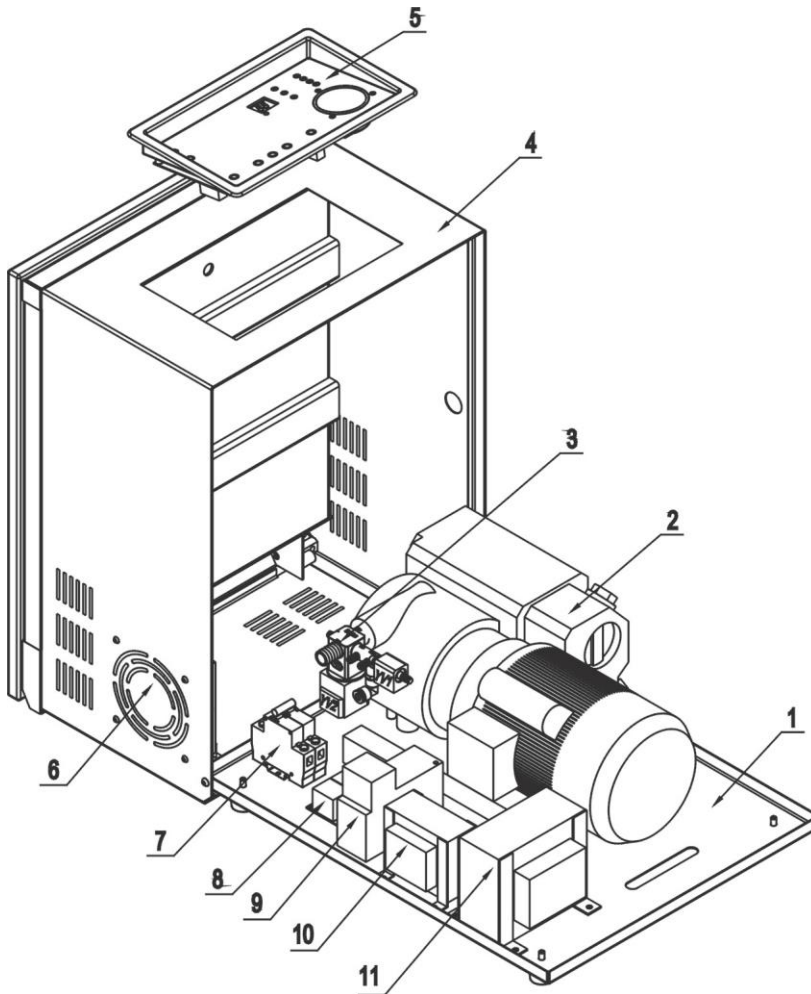
Exploded View

Table Top Vacuum Packaging Machine (010 pump)



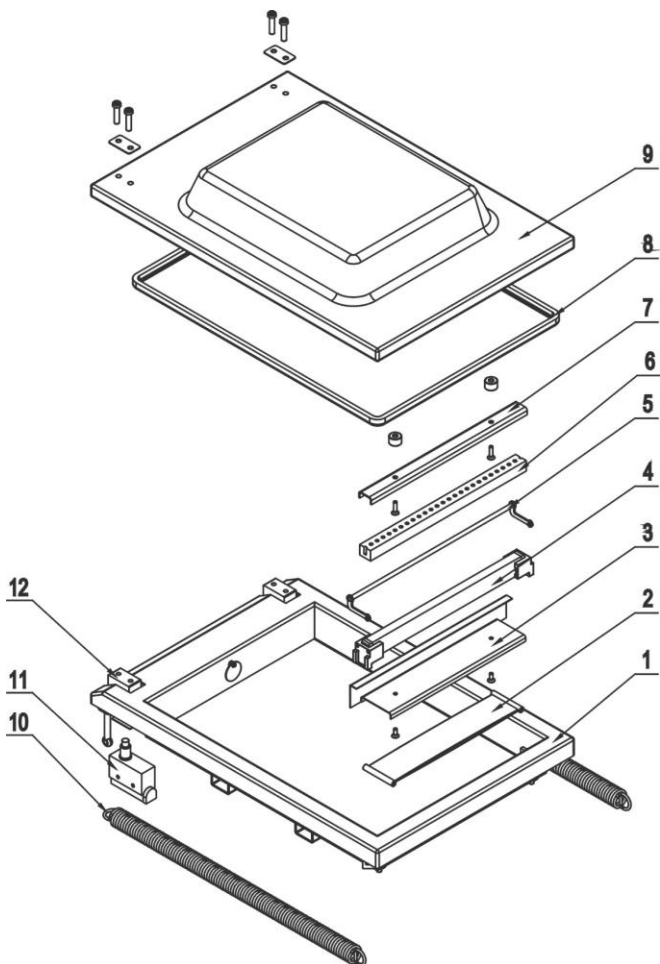
1. Stainless steel bottom board 2. Vacuum pump 3. Valve (YV1, YV2)
4. Filter 5. Outer case 6. Control panel (including plastic frame) 7. Fan
8. Breaker 9. Realy 10. Working transformer 11. Sealing Transformer

Table Top Vacuum Packaging Machine (020 pump)



1. Stainless steel bottom board 2. Vacuum pump 3. Valve (YV1,YV2)
4. Outer case 5. Control panel (including plastic frame) 6. Fan 7. Breaker
8. Relay 9. Contactor 10. Working transformer 11. Sealing Transformer

Components and Parts Exploded View:



1. Vacuum chamber 2. Gas bag 3. Gas bag base 4. Sealing bar 5. Pressing stick
6. Silicon bar 7. Silicon bar base 8. Gasket
9. Acrylic lid 10. Tension spring 11. Lid switch 12. Hinge