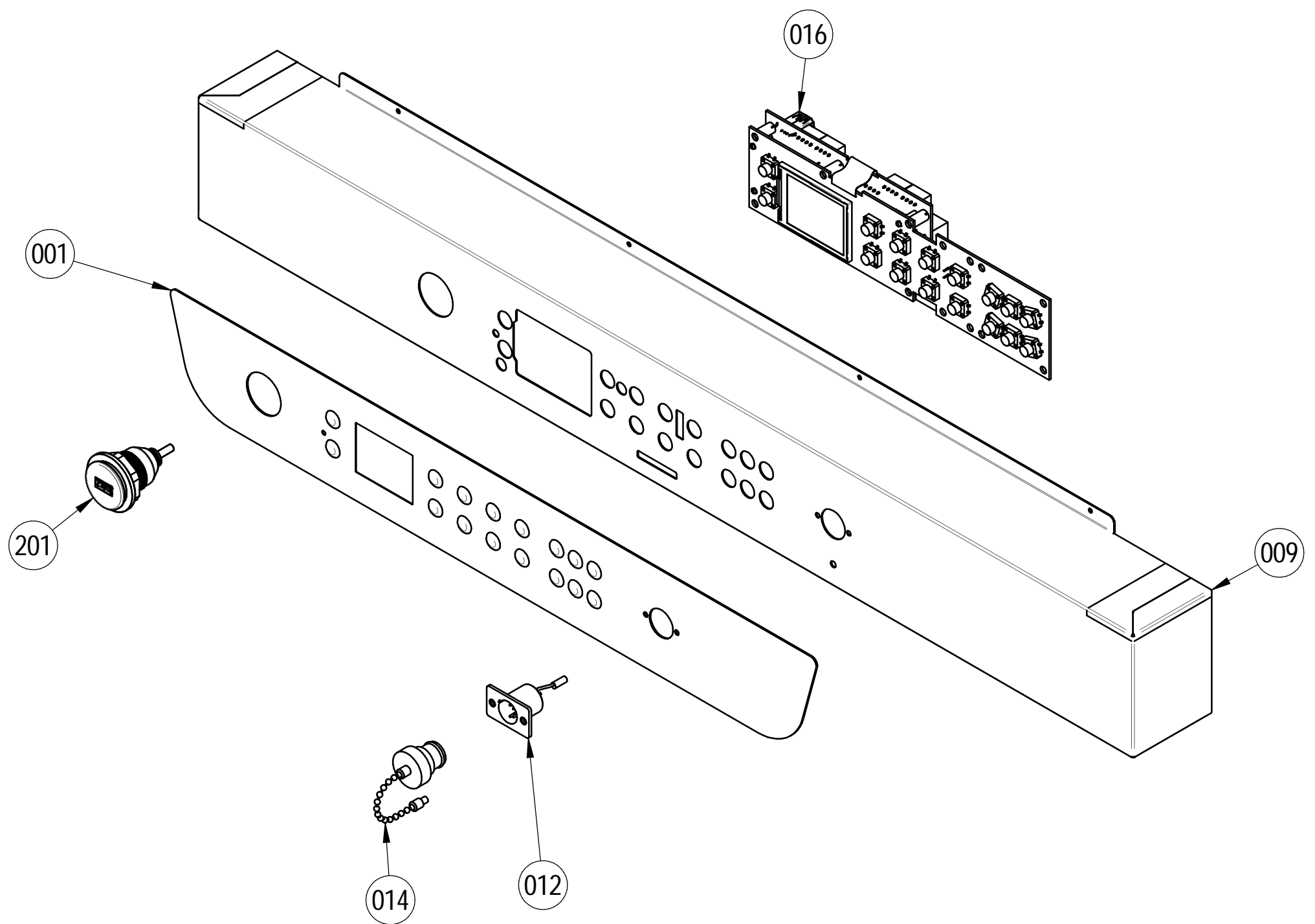

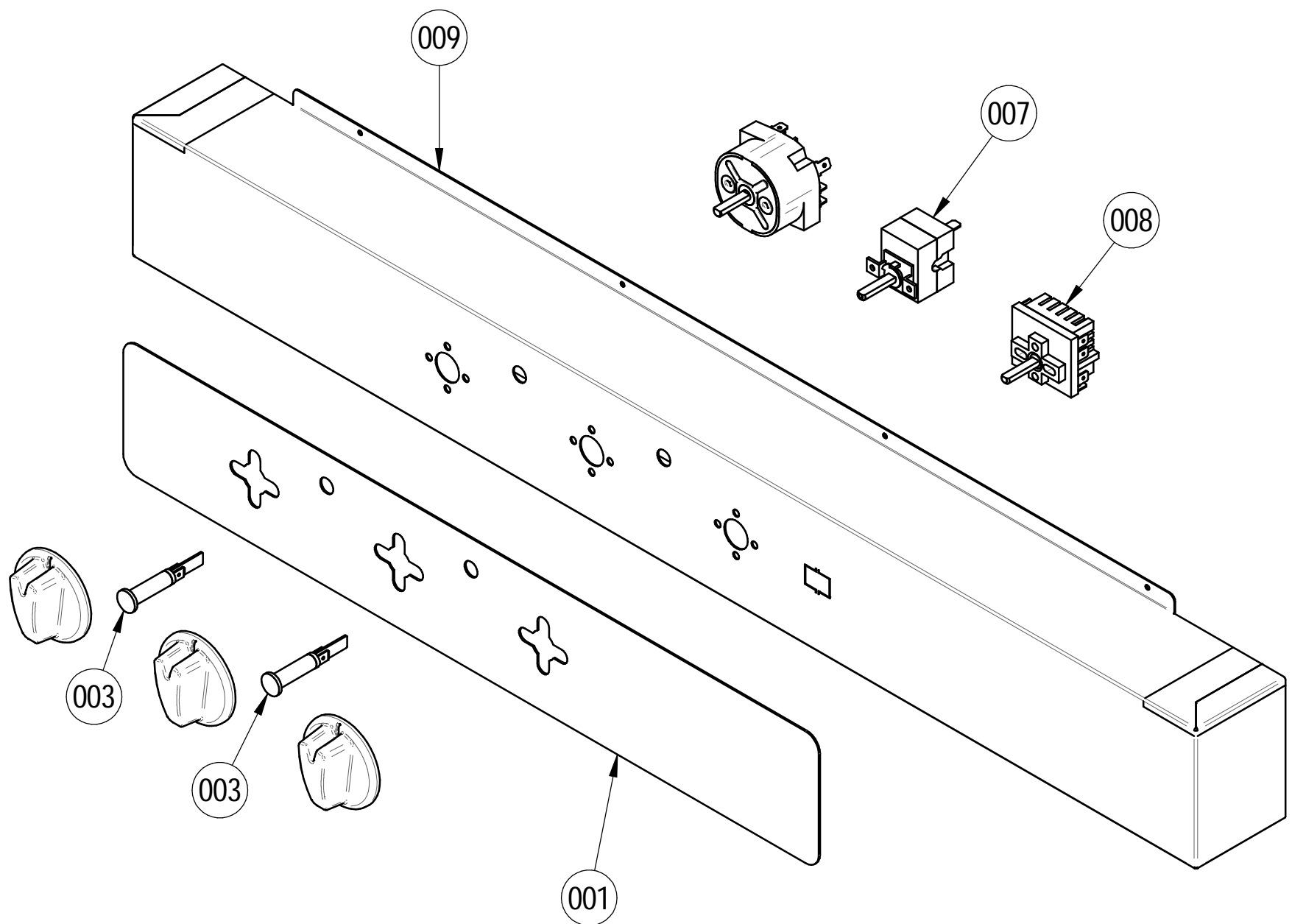



SPARE PART No	CODE	DESCRIPTION	Q.TY
001	***	DASHBOARD LABEL	1
009	85CRU00304	CAMPIELLO DG WELDED DASHBOARD	1
012	020CNT0001	PANEL PLUG SOCKET 6 POLES FLANGED	1
014	040TAP00012	TAP+CHAIN FOR PLUG SOCKET	1
016	20SCH00072	DIGITAL BOARD DISPLAY 2.4"	1
201	020CNT0020	CNT USB +CAVO DA 0,8 MT USB+DADO BRED	1



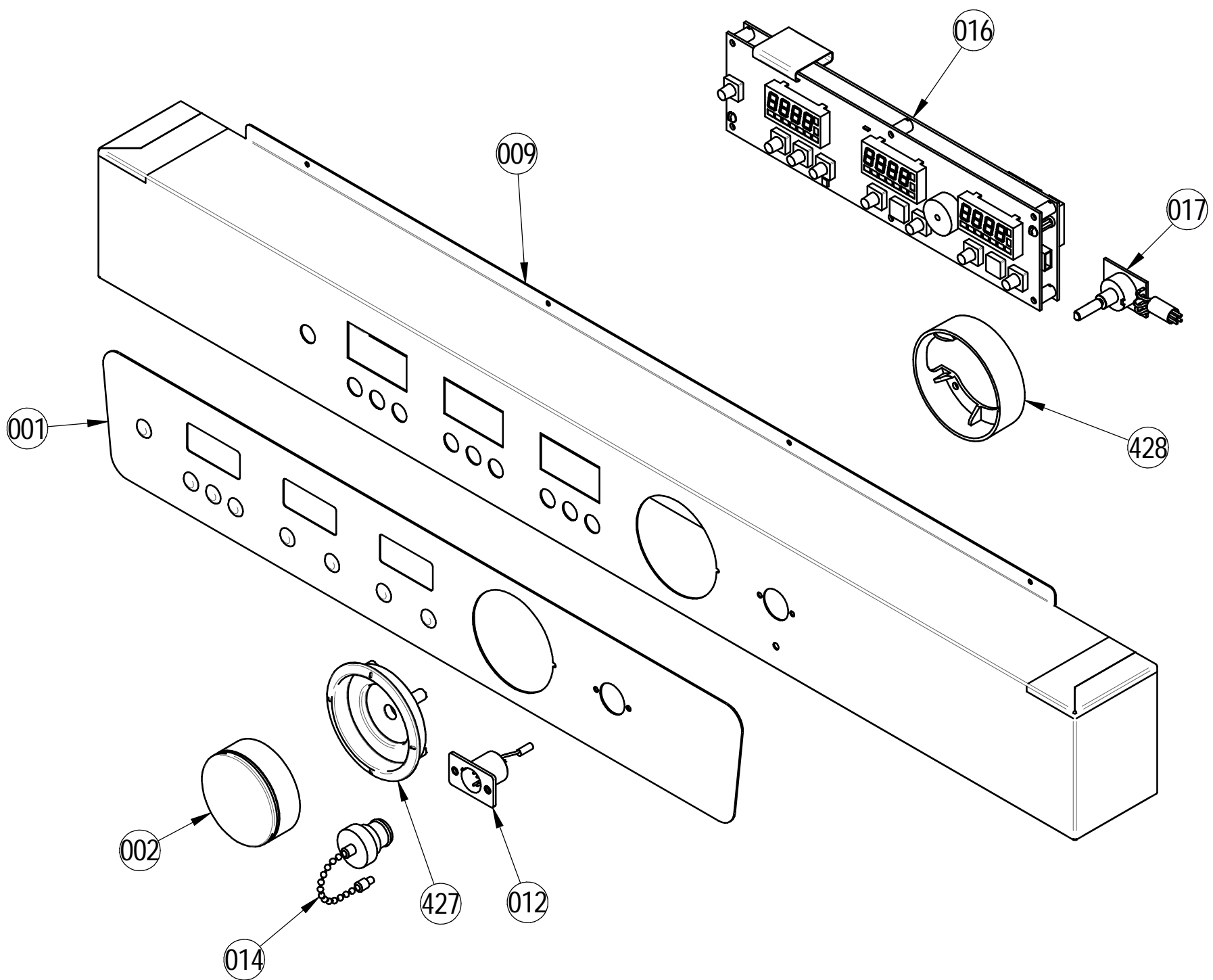
Rev.	Rev.Date	Rev.Description	Revised by
Designed by:	Description:		Filename:
Checked by:			Rev.
 Via della Fornace, 49 31023 Castelmio di Resana (Treviso) - Italy		Dimensions without indication of tolerance Precision medium level UNI EN22768-01 Tolerance class K UNI EN22768-2 Copyright © 2020 by Venix Srl - Italy - All intellectual property rights reserved - Confidential. Any use, copying, delivery or disclosure of this drawing is strictly forbidden if not approved by advance written notice of Venix S.r.l.	Date: 22/02/2022 Scale: 1:3 Page: 1 of 13 A3


SPARE PART No	CODE	DESCRIPTION	Q.TY
001	***	DASHBOARD LABEL	1
002	40MAN00015	KNOB	3
003	020LSP0004	DASHBOARD INDICATOR LAMP 230V ORANGE	2
006	20REG00002	TIMER FOR CONVECTION OVEN	1
007	020TER0001	CHAMBER THERMOSTAT	1
008	020RDE0001	HUMIDIFICATION TIMED SWITCH	1
009	10CRU00025	MECHANICAL DASHBOARD	1



Rev.	Rev.Date	Rev.Description	Revised by
Designed by:	Description:		Filename:
Checked by:			Rev.
		Dimensions without indication of tolerance Precision medium level UNI EN22768-01 Tolerance class K UNI EN22768-2	Date: 22/02/2022 Scale: 1:1
Via della Fornace, 49 31023 Castelmio di Resana (Treviso) - Italy		Copyright © 2020 by Venix Srl - Italy - All intellectual property rights reserved - Confidential. Any use, copying, delivery or disclosure of this drawing is strictly forbidden if not approved by advance written notice of Venix S.r.l.	Page: 2 of 13 A3

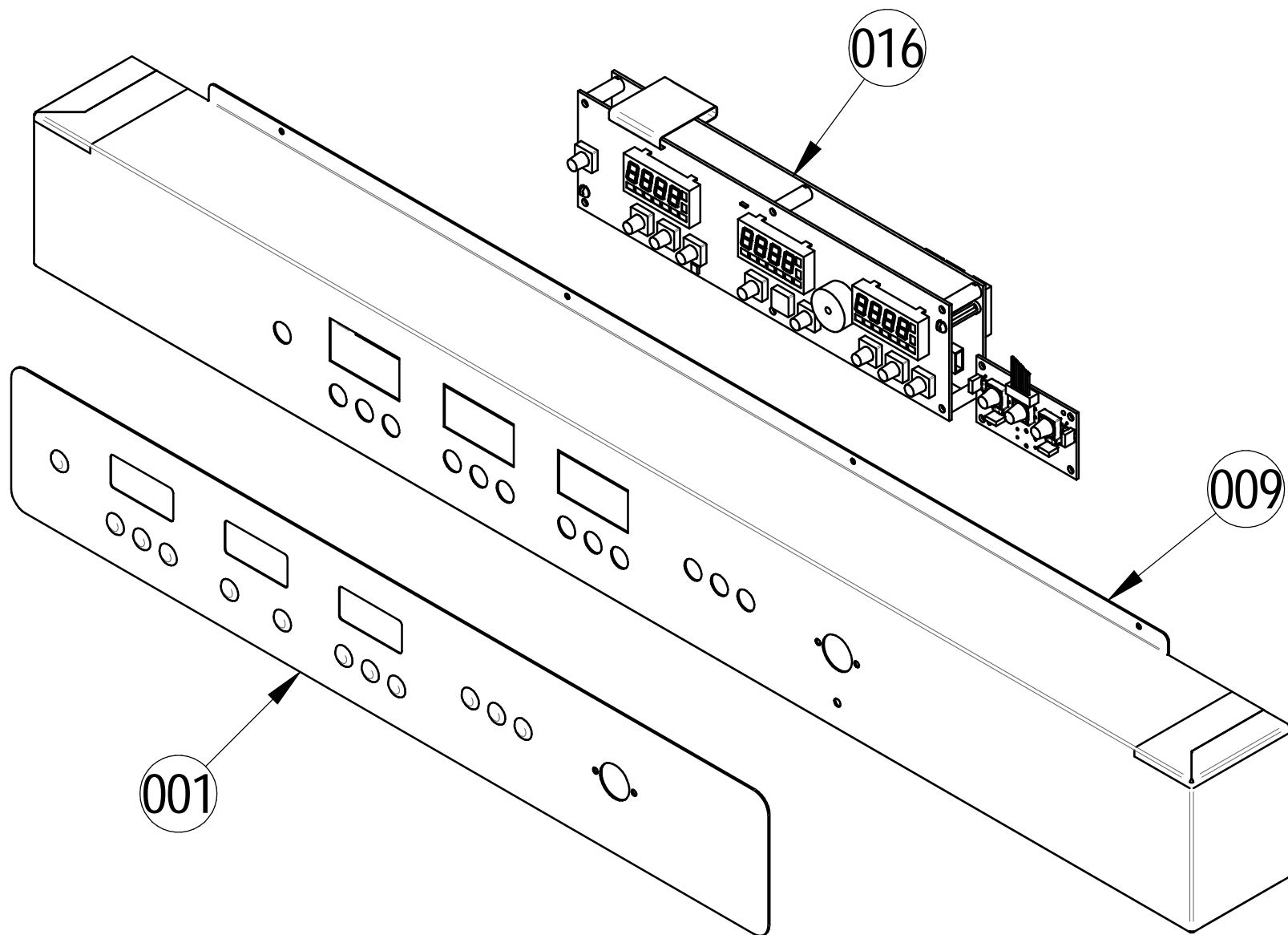
SPARE PART No	CODE	DESCRIPTION	Q.TY
001	***	FRONT LABEL DESIGN	1
002	040MAN00002	ENCODER KNOB	1
009	85CRU00048	WELDED DASHBOARD CP D0	1
012	020CNT0001	PANEL PLUG SOCKET 6 POLES FLANGED	1
014	040TAP00012	TAP+CHAIN FOR PLUG SOCKET	1
017	020SCH0006	PC BOARD ENCODER	1
16	20SCH00040	CONTROL BOARD D0	1
427	40MAN00017	ENCODER SEAT	1
428	40MAN00018	ENCODER PROTECTION	1




Rev.	Rev.Date	Rev.Description	Revised by
Designed by:	Description:		Filename:
Checked by:			Rev.
		Dimensions without indication of tolerance Precision medium level UNI EN22768-01 Tolerance class K UNI EN22768-2 Copyright © 2020 by Venix Srl - Italy - All intellectual property rights reserved - Confidential. Any use, copying, delivery or disclosure of this drawing is strictly forbidden if not approved by advance written notice of Venix S.r.l.	Date: 22/02/2022 Scale: 1:1 Page: 3 of 13 A3

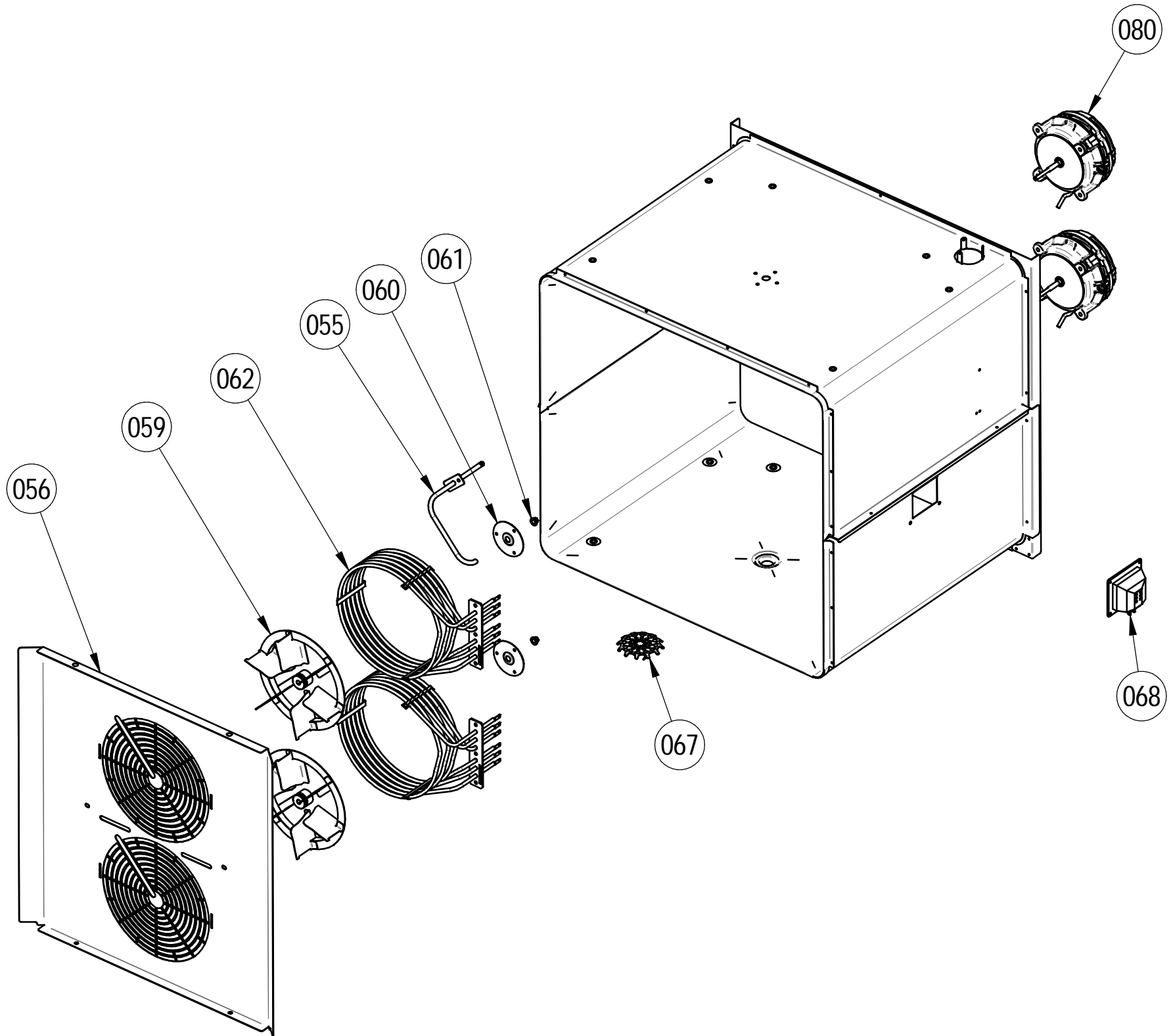
SPARE PART No	CODE	DESCRIPTION	Q.TY
001	***	FRONT LABEL DESIGN	1
009	85CRU00138	WELDED DASHBOARD PANEL	1
016	20SCH00047	RCB/RCG ELECTRONIC BOARD	1


*** COMMUNICATE THE SERIAL NUMBER



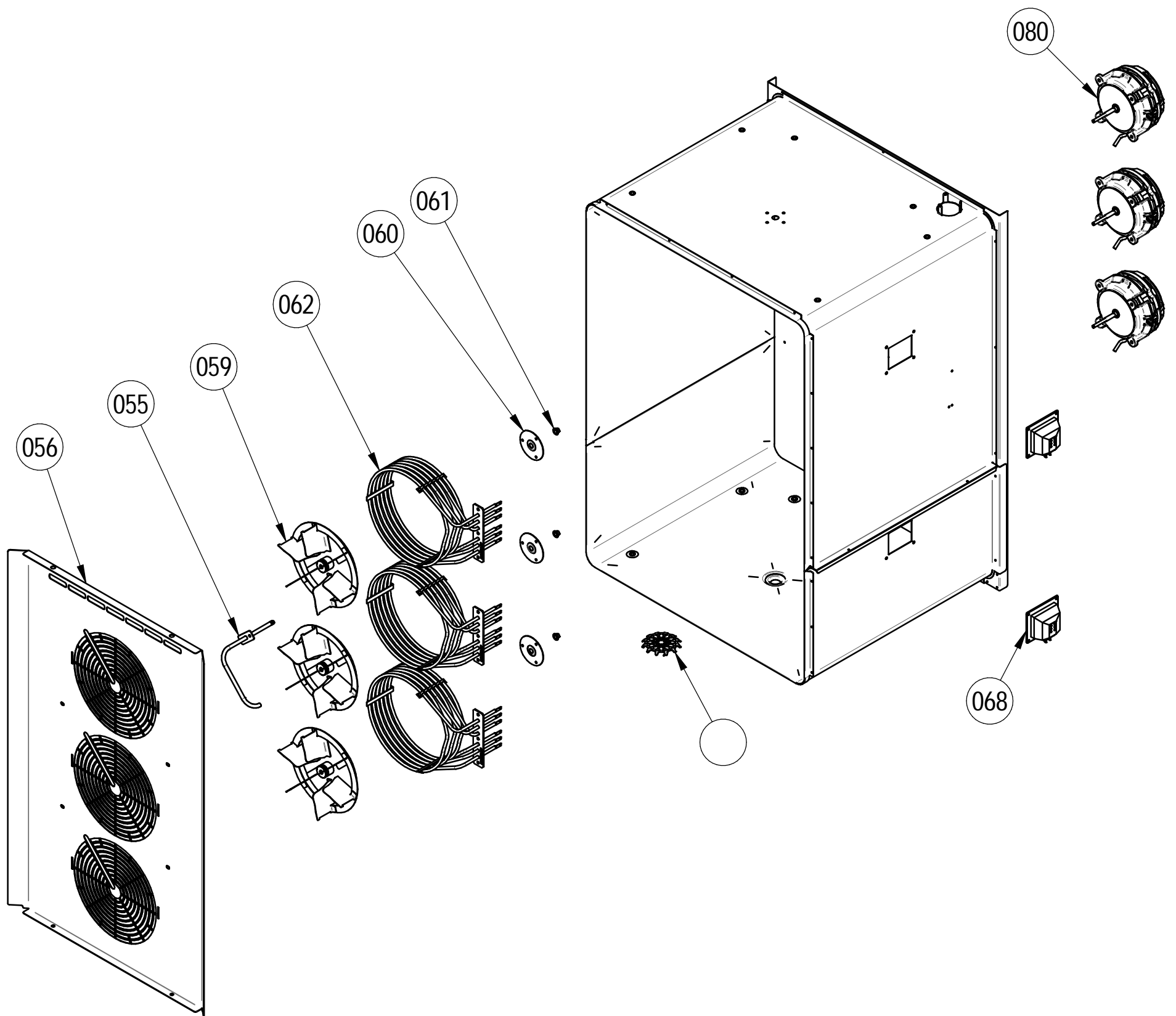
Rev.	Rev.Date	Rev.Description	Revised by
Designed by: <i>Prevedello M.</i>		Description:	Filename:
Checked by: <i>Prevedello M.</i>			
 Via della Fornace, 49 31023 Castelmio di Resana (Treviso) - Italy		Dimensions without indication of tolerance Precision medium level UNI EN22768-01 Tolerance class K UNI EN22768-2	Date: 22/02/2022
		Copyright © 2020 by Venix Srl - Italy - All intellectual property rights reserved - Confidential. Any use, copying, delivery or disclosure of this drawing is strictly forbidden if not approved by advance written notice of Venix S.r.l.	Scale: 1:1
		Page: 4 of 13	Rev. A3


SPARE PART No	CODE	DESCRIPTION	Q.TY
055	85TBA00017	HUMIDIFICATION PIPE	1
056	10DEF00118	CP06-CP07 AIR DEFLECTOR	1
059	60VENAI013	IMPELLER 200X61 AIRTEK 2.0	2
060	10PIAA10LAA009	PIASTR.TAPPA FORO ALB. MOT L04 L06 L10	2
061	040BOC00006	CRANKSHAFT BUSH	2
062	20RES00041	HEATER 5KW 230V 6 COILS	2
067	85PIA00007	COP SCARICO MUFF 20/40T	1
068	020LAM0004	HALOGEN LAMP HOLDER	1
080	85MOT00003	MOTOR 2 DIR. 230V 1N 50/60HZ 130W M8 ST	2



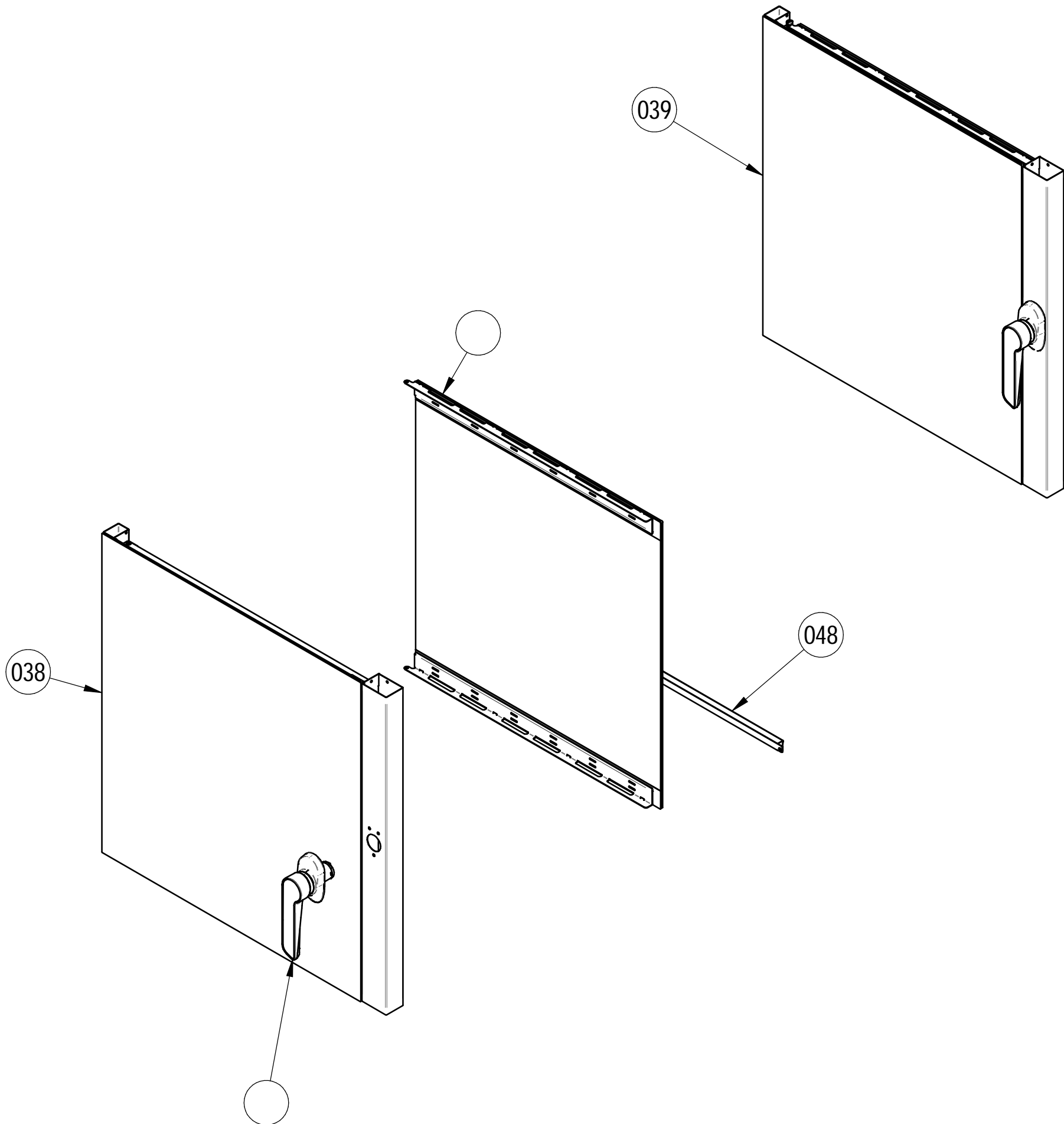
Rev.	Rev.Date	Rev.Description	Revised by
Designed by:	Description:		Filename:
Checked by:			Rev.
		Dimensions without indication of tolerance Precision medium level UNI EN22768-01 Tolerance class K UNI EN22768-2 Copyright © 2020 by Venix Srl - Italy - All intellectual property rights reserved - Confidential. Any use, copying, delivery or disclosure of this drawing is strictly forbidden if not approved by advance written notice of Venix S.r.l.	Date: 22/02/2022 Scale: 1:1 Page: 5 of 13 A3


SPARE PART No	CODE	DESCRIPTION	Q.TY
055	85TBA00017	HUMIDIFICATION PIPE	1
056	10DEF00120	CP10-CP12 AIR DEFLECTOR	1
059	60VENAI013	IMPELLER 200X61 AIRTEK 2.0	3
060	10PIAA10LAA009	PIASTR.TAPPA FORO ALB. MOT L04 L06 L10	3
061	040BOC00006	CRANKSHAFT BUSH	3
062	20RES00041	HEATER 5KW 230V 6 COILS	3
067	85PIA00007	COP SCARICO MUFF 20/40T	1
068	020LAM0004	HALOGEN LAMP HOLDER	2
080	85MOT00003	MOTOR 2 DIR. 230V 1N 50/60HZ 130W M8 ST	3



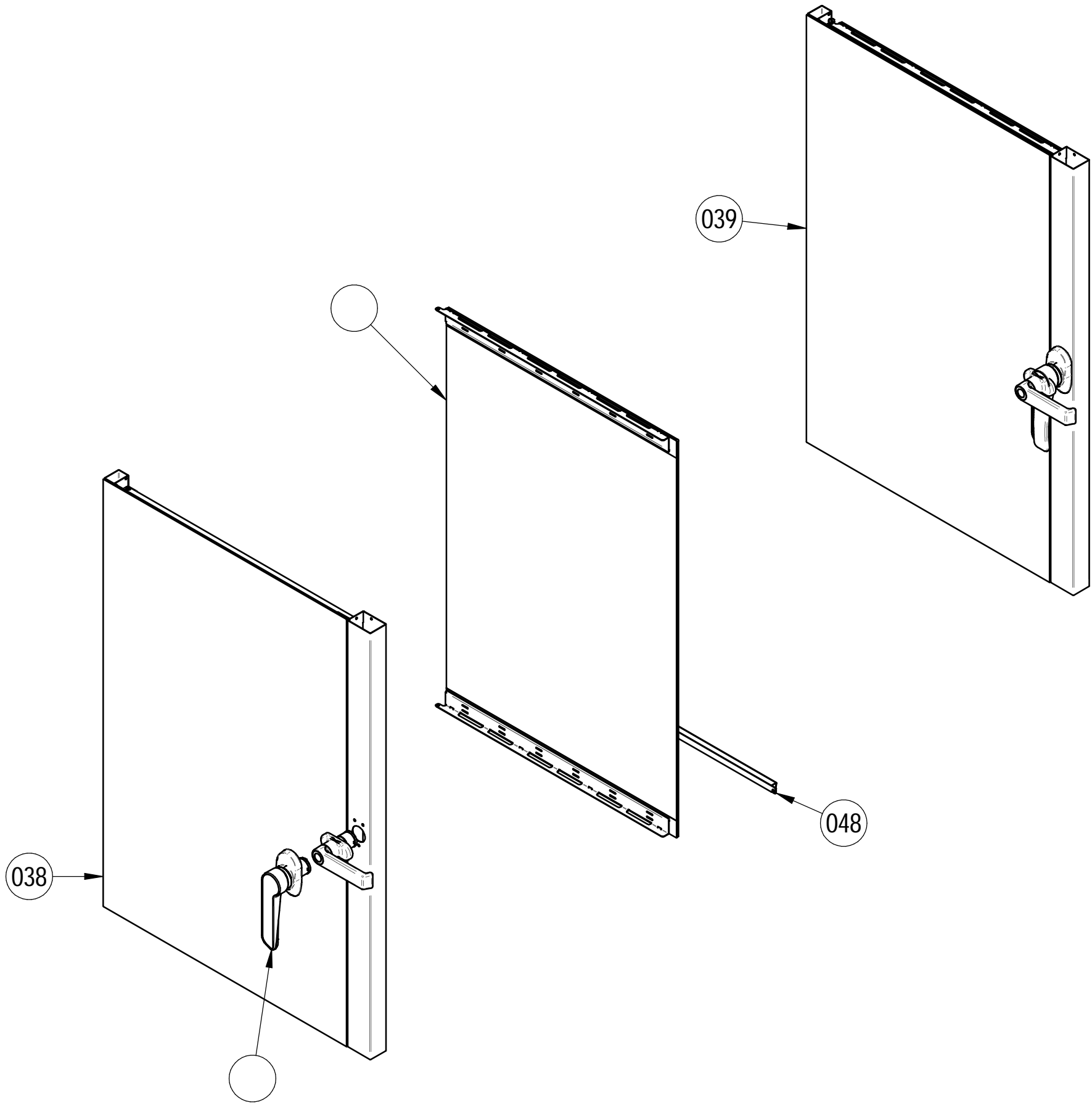
Rev.	Rev.Date	Rev.Description	Revised by
Designed by:	Description:		Filename:
Checked by:			Rev.
 Via della Fornace, 49 31023 Castelmio di Resana (Treviso) - Italy		Dimensions without indication of tolerance Precision medium level UNI EN22768-01 Tolerance class K UNI EN22768-2	Date: 22/02/2022 Scale: 1:1
		Copyright © 2020 by Venix Srl - Italy - All intellectual property rights reserved - Confidential. Any use, copying, delivery or disclosure of this drawing is strictly forbidden if not approved by advance written notice of Venix S.r.l.	Page: 6 of 13


SPARE PART No	CODE	DESCRIPTION	Q.TY
037	85AVI00002	INTERNAL GLASS ASSY	1
038	85AVE00036*	EXTERNAL GLASS ASSY	1
039	85PTA00074*	COMPLETE DOOR	1
040	040TAP00001	BLACK CAP	2
041	040TAP00002	BLACK CAP	2
044	040TAP00015	RUBBER SPACER FOR INTERNAL GLASS	14
045	60MAG00013	HANDLE	1
048	10VAS032	DROPS TRAY COLLECTOR	1
173	60MGNSN002	DOOR SENSOR MAGNET	1
269	040MAN00010	INTERNAL GLASS BLOCKING KNOB	2



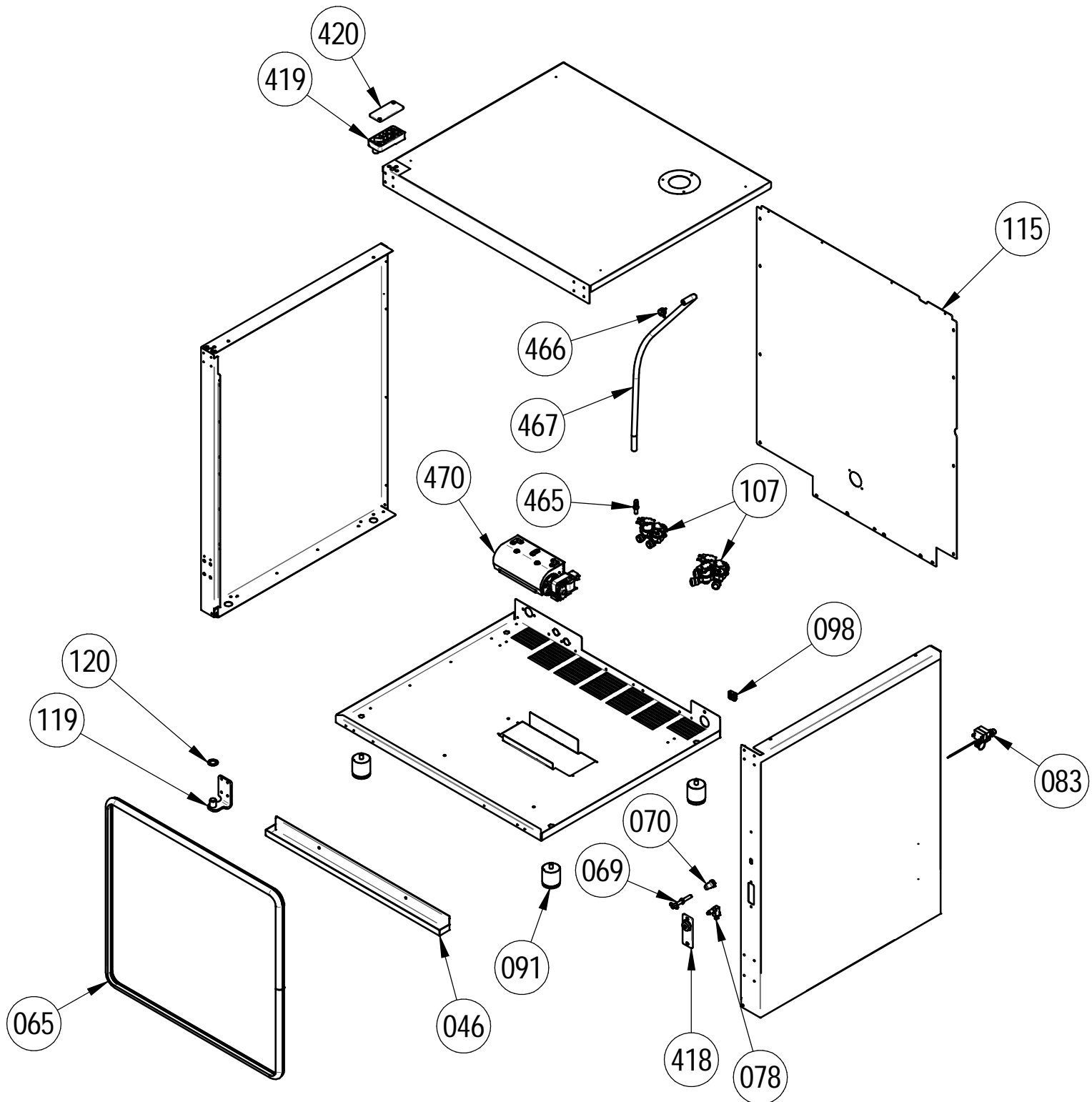
Rev.	Rev.Date	Rev.Description	Revised by
Designed by:	Description:		Filename:
Checked by:			Rev.
		Dimensions without indication of tolerance Precision medium level UNI EN22768-01 Tolerance class K UNI EN22768-2	Date: 22/02/2022
Via della Fornace, 49 31023 Castelmio di Resana (Treviso) - Italy		Copyright © 2020 by Venix Srl - Italy - All intellectual property rights reserved - Confidential. Any use, copying, delivery or disclosure of this drawing is strictly forbidden if not approved by advance written notice of Venix S.r.l.	Scale: 1:1 Page: 7 of 13 A3


SPARE PART No	CODE	DESCRIPTION	Q.TY
037	85AVI00003	INTERNAL GLASS ASSY	1
038	85AVE00037*	EXTERNAL GLASS ASSY	1
039	85PTA00075*	COMPLETE DOOR	1
040	040TAP00001	BLACK CAP	2
041	040TAP00002	TAPPO DX INF SUP PORTA L04 L06 L10	2
044	040TAP00015	RUBBER SPACER FOR INTERNAL GLASS	14
045	60MAGTR001	DOOR HADLE	1
045	60MAG00013	HANDLE	1
048	10VAS032	VAS RACCOGLIGOCCE PORTA CP7	1
269	040MAN00010	INTERNAL GLASS BLOCKING KNOB	2



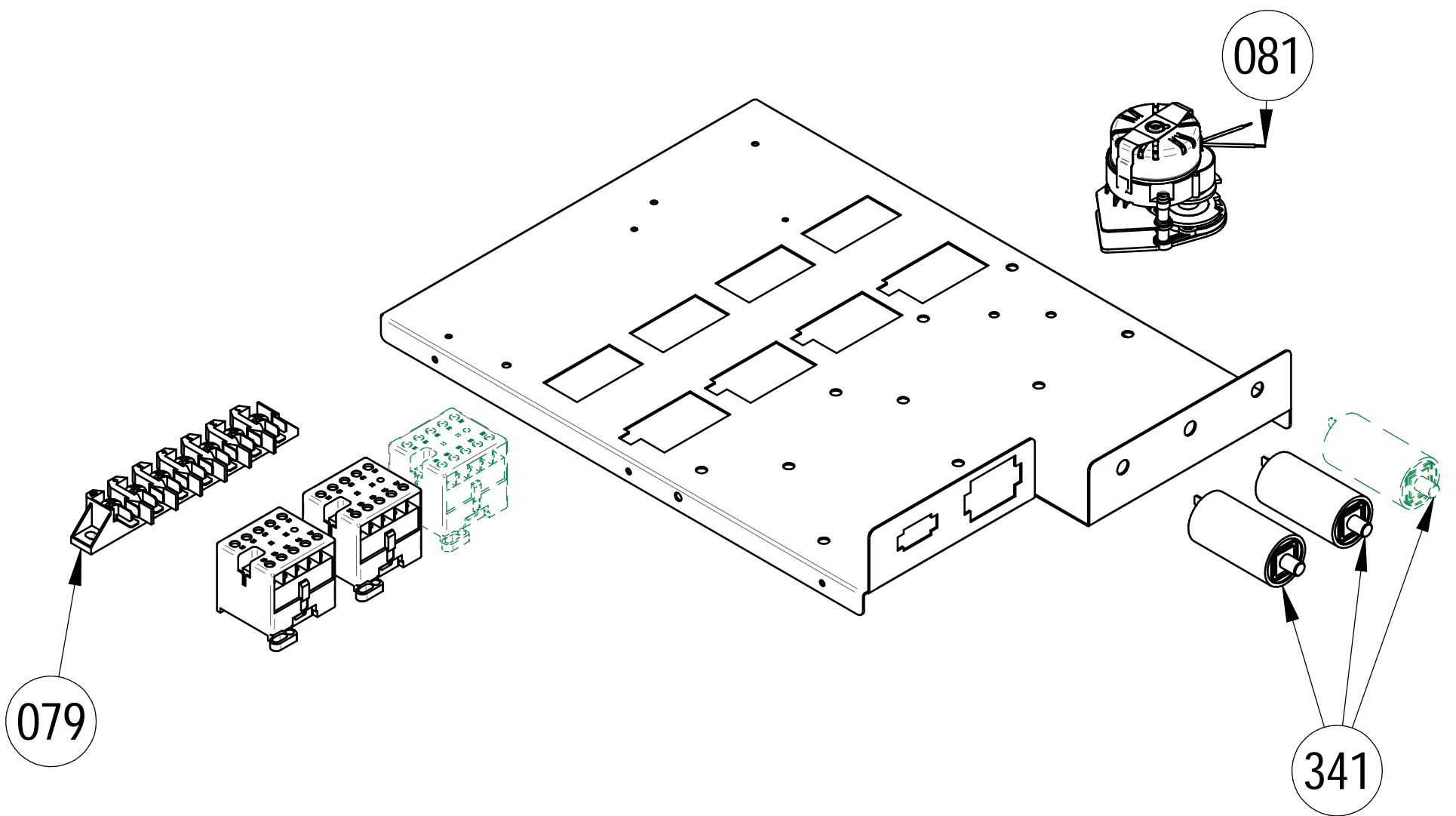
Rev.	Rev.Date	Rev.Description	Revised by
Designed by:	Description:		Filename:
Checked by:			Rev.
		Dimensions without indication of tolerance Precision medium level UNI EN22768-01 Tolerance class K UNI EN22768-2	Date: 22/02/2022
Via della Fornace, 49 31023 Castelmio di Resana (Treviso) - Italy		Copyright © 2020 by Venix Srl - Italy - All intellectual property rights reserved - Confidential. Any use, copying, delivery or disclosure of this drawing is strictly forbidden if not approved by advance written notice of Venix S.r.l.	Scale: 1:1 Page: 8 of 13 A3


SPARE PART No	CODE	DESCRIPTION	Q.TY
046	10VAS025	DROPS COLLECTORS TRAY	1
065	040GUA00014	OVEN GASKET	*
069	60NASAI001	HANDLE STUD L70MM	1
070	60PERAI003	HANDLE PIVOT RCB-RCG	1
078	020PUL0002	NO/NC MICRO SWITCH	1
083	020TER0007	SAFETY THERMAL SWITCH 1 POLE	1
091	50PIEAI002	OVEN FEET H50	4
098	020MOR0001	TERMINAL BLOCK BRIDGE 6-16 SQM	1
107	020ELE0002	TWO-WAY SOLENOID VALVE REDUCER BROWN	1
107	020ELE0003	THREE-WAY SOLENOID VALVE REDUCER BROWN	1
115	10FIA00146	CP06-CP07 BACK	1
119	85CER00008	BOTTOM HINGE	1
120	10PIAA20NAA010	DOOR SPACER RING	1
162	85CER00008	BOTTOM HINGE	1
418	40DIS00013	DOOR MICROSWITCH PLASTIC PLATE	1
419	40CER00001	TOP HINGE	1
420	40CER00002	TOP HINGE COVER	1
465	40RAC00034	PIPE HOSE 8-8	1
466	40FSC00010	STEEL SPRING TIE DIA 15	2
467	30TBG00003	HT PIPE 8X15 BLACK	*
470	20VNT00001	CROSS-FLOW FAN TG6 180	1



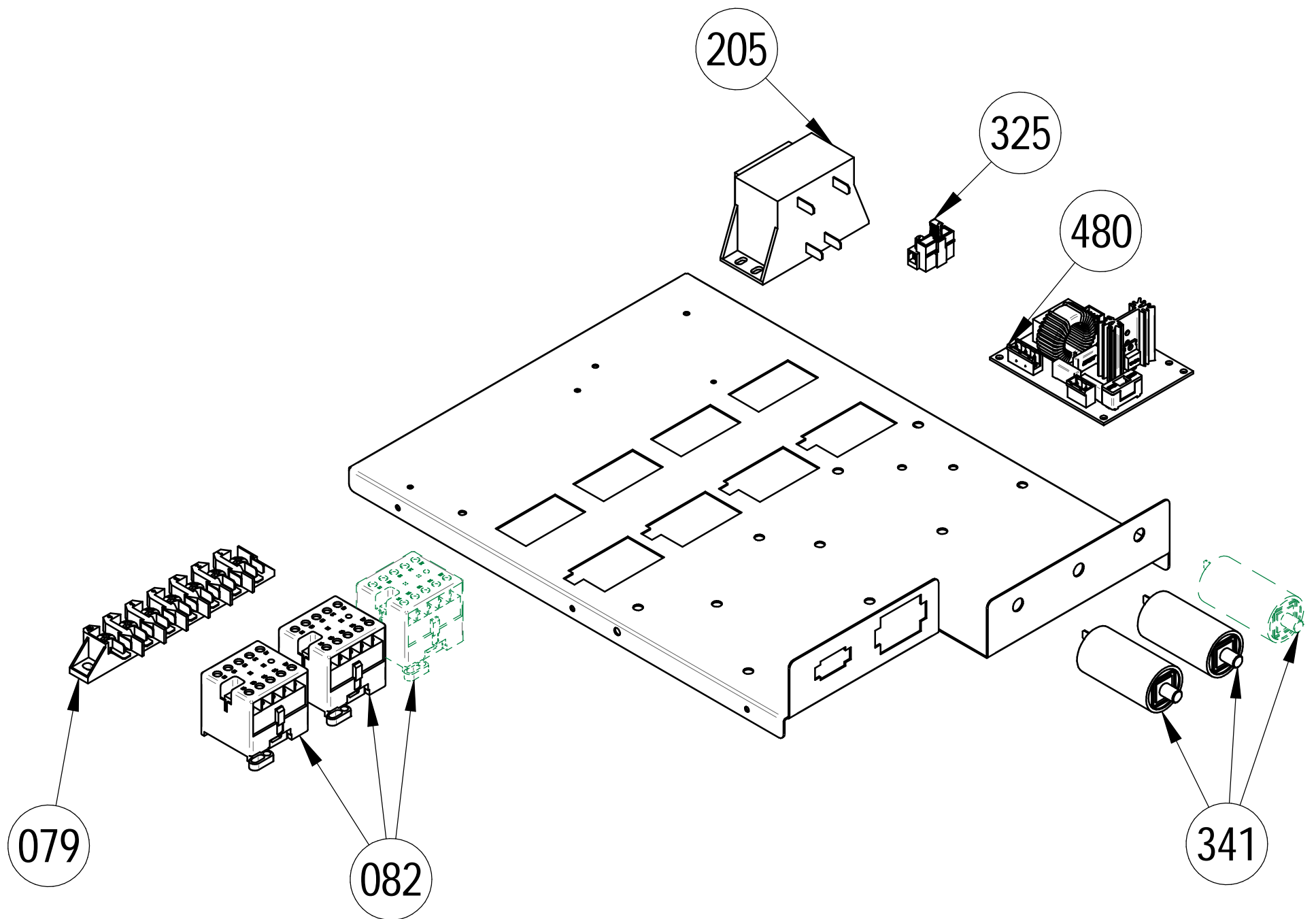
Rev.	Rev.Date	Rev.Description	Revised by
Designed by:	Prevedello M.	Description:	Filename:
Checked by:	Prevedello M.		Rev.
		Dimensions without indication of tolerance Precision medium level UNI EN22768-01 Tolerance class K UNI EN22768-2	Date: 22/02/2022 Scale: 1:14,29
Via della Fornace, 49 31023 Castelmio di Resana (Treviso) - Italy		Copyright © 2020 by Venix Srl - Italy - All intellectual property rights reserved - Confidential. Any use, copying, delivery or disclosure of this drawing is strictly forbidden if not approved by advance written notice of Venix S.r.l.	Page: 9 of 13 A3


SPARE PART No	CODE	DESCRIPTION	Q.TY
079	020MOR0002	TERMINAL BLOCK 7(X3) POLES 40A	1
081	020PRC0001	MOTOR DIRECTION TIMED SWITCH	1
082	020TEL0004	BRAKER 4POLES 220/240V 20A	2/3
341	020CND00001	CAPACITOR 6,3 µf	2/3
455	020MOR0008	TERMINAL BLOCK 10 POLES FASTON	1



Rev.	Rev.Date	Rev.Description	Revised by
Designed by:	Description:		Filename:
Checked by:			Rev.
 Via della Fornace, 49 31023 Castelmio di Resana (Treviso) - Italy		Dimensions without indication of tolerance Precision medium level UNI EN22768-01 Tolerance class K UNI EN22768-2	Date: 22/02/2022 Scale: 1:1
		Copyright © 2020 by Venix Srl - Italy - All intellectual property rights reserved - Confidential. Any use, copying, delivery or disclosure of this drawing is strictly forbidden if not approved by advance written notice of Venix S.r.l.	Page: 10 of 13

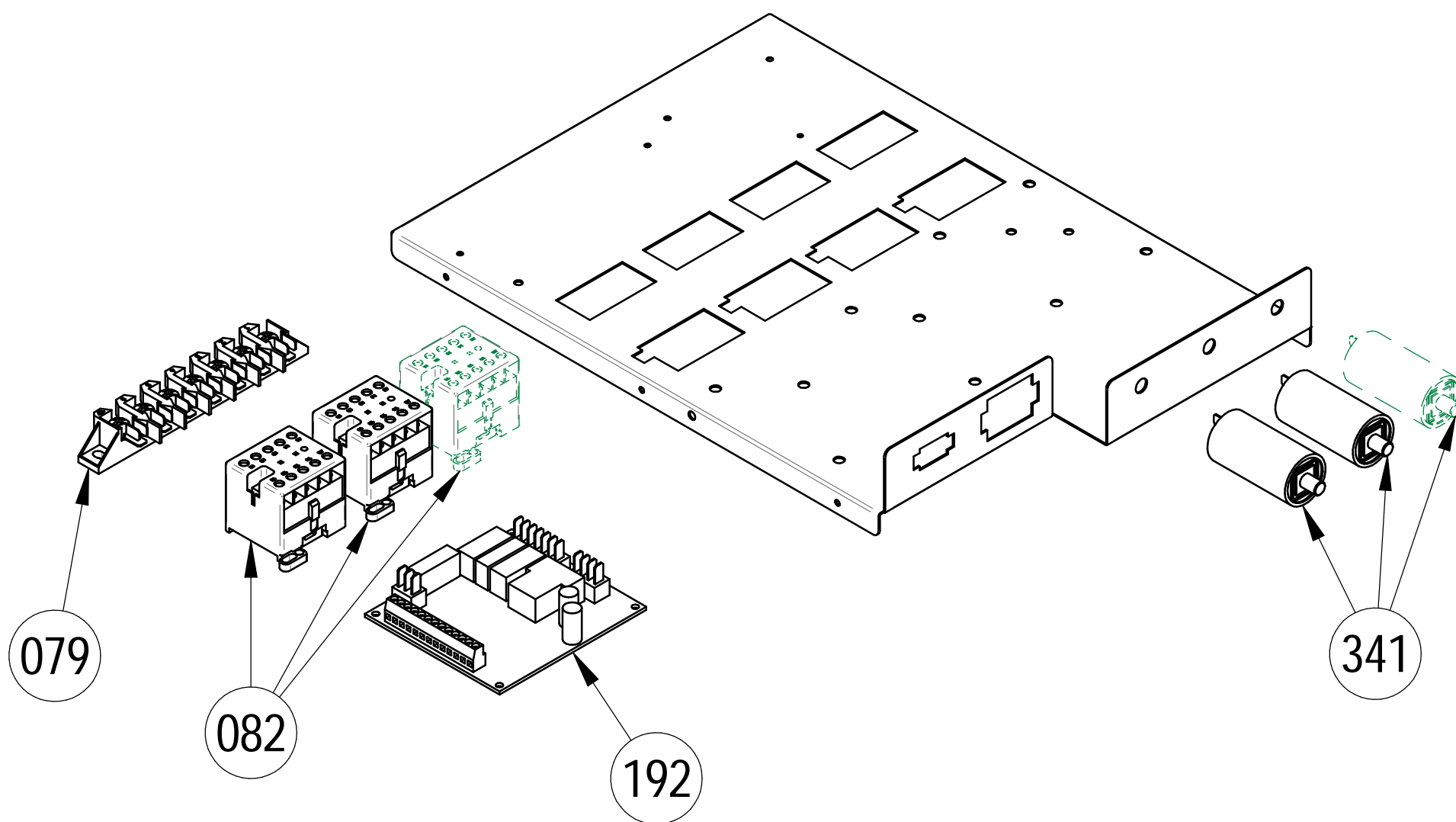
SPARE PART No	CODE	DESCRIPTION	Q.TY
016	20SCH00076	PHASE CUT RSFAN700	1
079	020MOR0002	TERMINAL BLOCK 7(X3) POLES 40A	1
082	020TEL0004	BRAKER 4POLES 220/240V 20A	2/3
205	020TRS0001	TRASF. METH 230V-12V T5 20VA	1
325	20PUL00012	FUSE RACK	1
341	020CND00001	CAPACITOR 6,3 µf	2/3
455	020MOR0008	TERMINAL BLOCK 10 POLES FASTON	1




Rev.	Rev.Date	Rev.Description	Revised by
Designed by: <i>Prevedello M.</i>		Description:	Filename:
Checked by: <i>Prevedello M.</i>			
 Via della Fornace, 49 31023 Castelmio di Resana (Treviso) - Italy		Dimensions without indication of tolerance Precision medium level UNI EN22768-01 Tolerance class K UNI EN22768-2	Date: 22/02/2022
		Copyright © 2020 by Venix Srl - Italy - All intellectual property rights reserved - Confidential. Any use, copying, delivery or disclosure of this drawing is strictly forbidden if not approved by advance written notice of Venix S.r.l.	Scale: 1:1
		Page: 11 of 13	Rev. A3

SPARE PART No	CODE	DESCRIPTION	Q.TY
079	020MOR0002	TERMINAL BLOCK 7(X3) POLES 40A	1
082	020TEL0004	BRAKER 4POLES 220/240V 20A	***
192	020SCH0007	RCB/RCG ELECTRONIC BOARD	1
341	020CND00001	CAPACITOR 6,3 µf	***

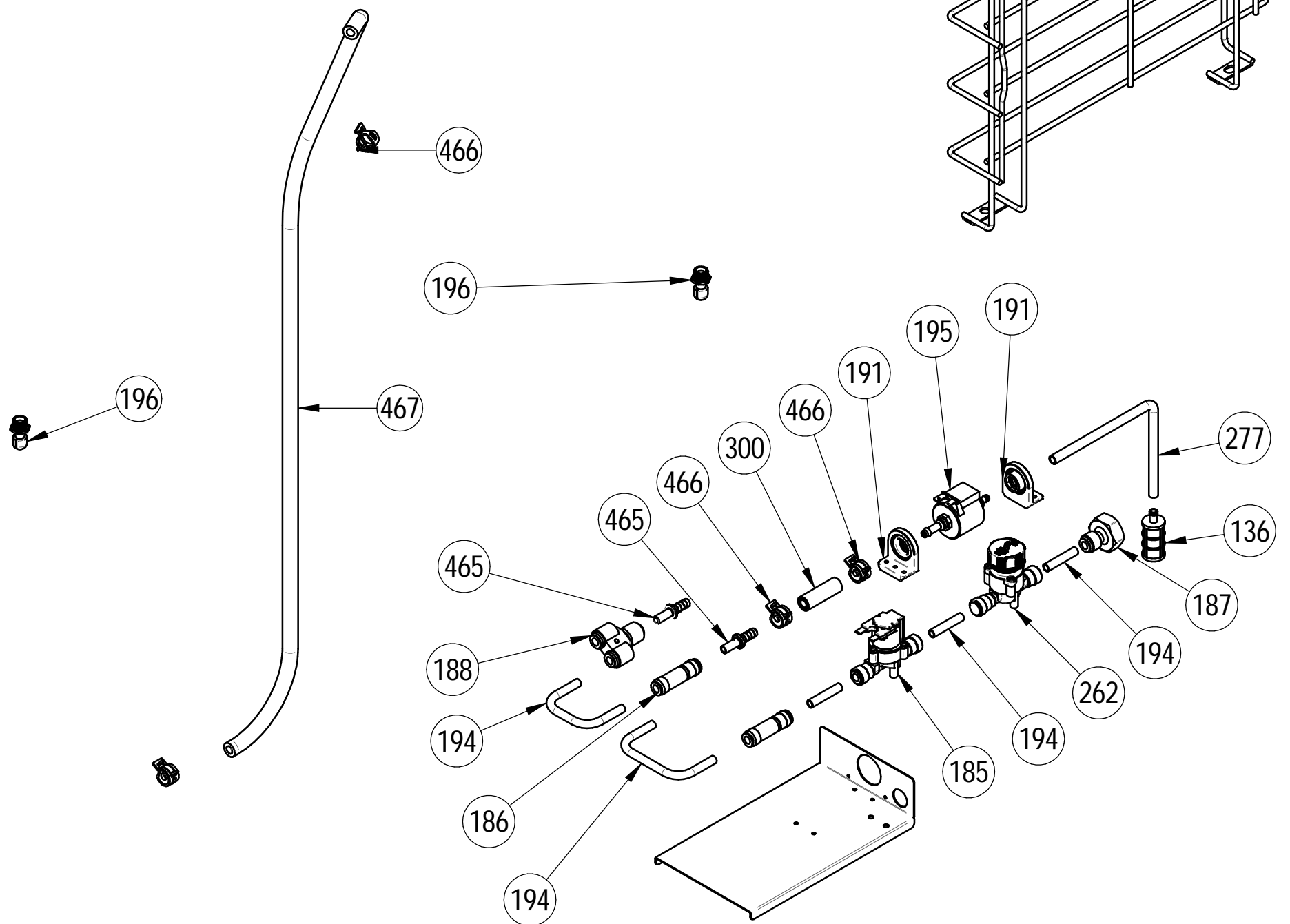
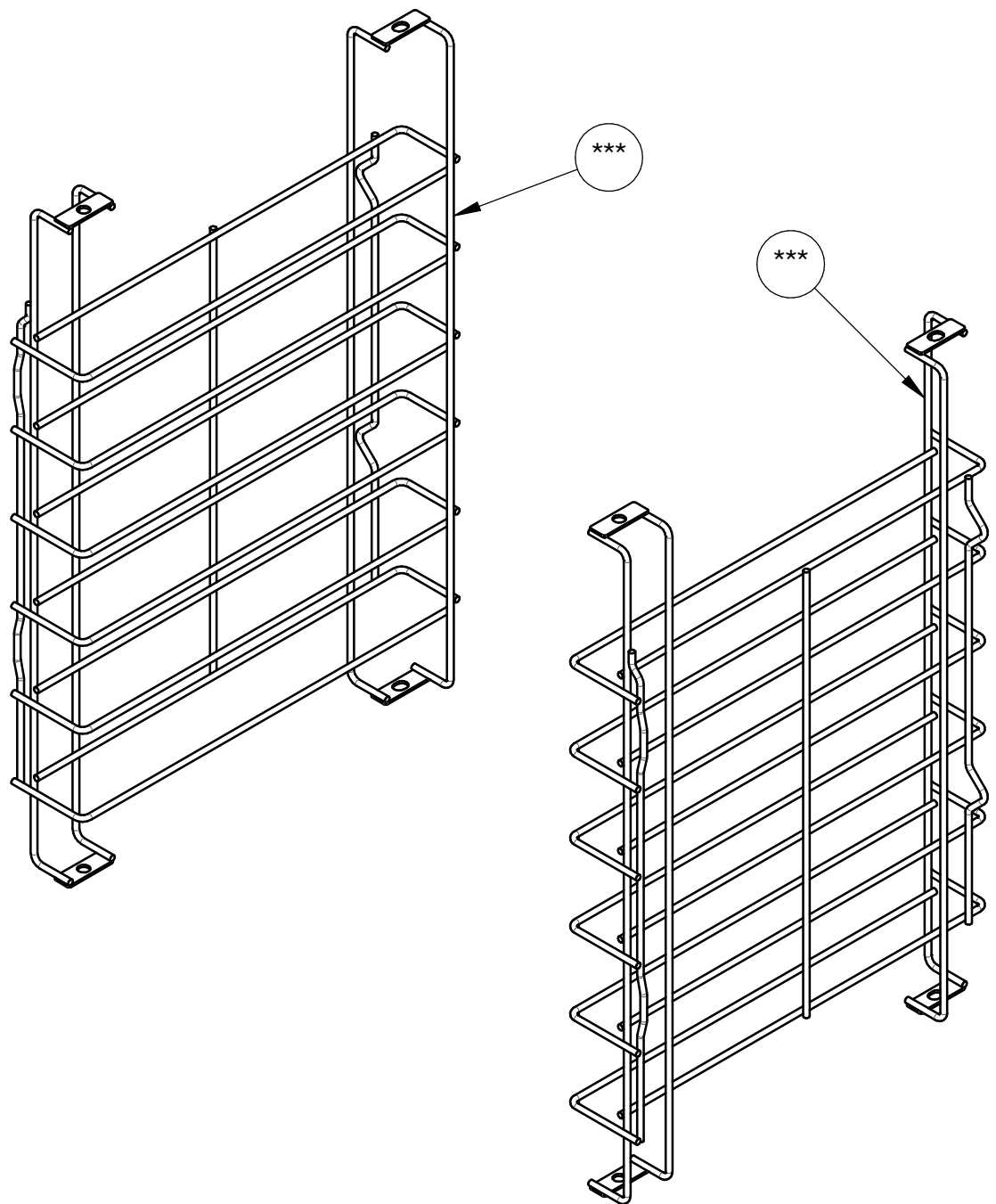
*** COMMUNICATE THE SERIAL NUMBER




Rev.	Rev.Date	Rev.Description	Revised by	
Designed by: <i>Prevedello M.</i>		Description:	Filename:	Rev.
Checked by: <i>Prevedello M.</i>				
 Via della Fornace, 49 31023 Castelmio di Resana (Treviso) - Italy		Dimensions without indication of tolerance Precision medium level UNI EN22768-01 Tolerance class K UNI EN22768-2	Date: 22/02/2022	Scale: 1:1
		Copyright © 2020 by Venix Srl - Italy - All intellectual property rights reserved - Confidential. Any use, copying, delivery or disclosure of this drawing is strictly forbidden if not approved by advance written notice of Venix S.r.l.	Page: 12 of 13	A3

SPARE PART No	CODE	DESCRIPTION	Q.TY
089	***	LEFT TRAY SUPPORT	1
090	***	RIGHT TRAY SUPPORT	1
136	40FIL00004	DETERGENT FILTER	1
185	020ELE0004	SELF CLEAN SOLENOID VALVE	1
186	040RAC00005	CHECK VALVE IN/OUT JG 8mm 5/16SCV	2
187	040RAC00006	JG8-3/4G JOINT	1
188	040RAC00003	Y JOINT 5/16	1
191	50PAR00020	DETERGENT PUMP SILENT BLOCK	2
194	30TUBP80007	PLASTIC PIPE 8X6	3
195	20PMP00006	DETERGENT PUMP	1
196	61UGE00002	WASHING ROTOR TR02Y02-441/330	1
262	040FIL002	WATER FILTER	1
277	30TUBPVC003	PLASTIC WATER PIPE PVC 6X9	2m
300	30TBG00004	HT DETERGENTE PIPE 8X15 BLUE	0.05m
465	40RAC00034	PIPE HOSE 8-8	2
466	40FSC00010	STEEL SPRING TIE DIA 15	2
467	30TBG00003	HT PIPE 8X15 BLACK	***

*** COMMUNICATE THE SERIAL NUMBER



Rev.	Rev.Date	Rev.Description	Revised by
Designed by:	Description:		Filename:
Checked by:			Rev.
		Dimensions without indication of tolerance Precision medium level UNI EN22768-01 Tolerance class K UNI EN22768-2	Date: 22/02/2022 Scale: 1:1
Via della Fornace, 49 31023 Castelminio di Resana (Treviso) - Italy		Copyright © 2020 by Venix Srl - Italy - All intellectual property rights reserved - Confidential. Any use, copying, delivery or disclosure of this drawing is strictly forbidden if not approved by advance written notice of Venix S.r.l.	Page: 13 of 13 A3