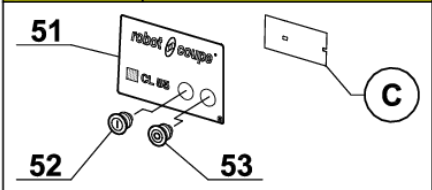
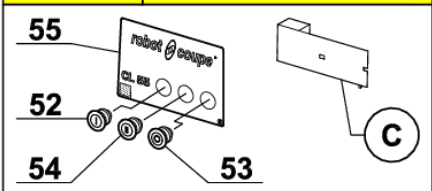


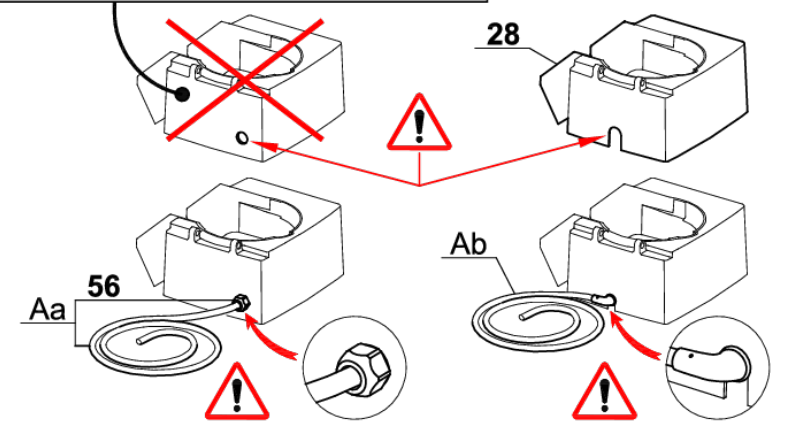
X X X = 457 1 vitesse (2 boutons).
1 speed (2 knobs).



X X X = 458 2 vitesses "2V" (3 boutons).
2 speeds "2V" (3 knobs).



***** N'est plus disponible : commander 28 et Ab.
No longer available : order 28 and Ab.



Index Reference Article

1	28170	AUTO FEED HEAD + CRANK
2	101589	AUTO FEED HEAD CRANK
3	117777S	CL60 V2 AGITATOR
4	117200S	LOCKING NUT WASHER
5	29501	CLINCH CLIP D ASS
6	39705	CL50E SHOULDERED RING X2
7	39673	PUSHER FEED HEAD CL52/55E
8	39661	HANDLE CL52E
9	39663	PUSHER STOP CL52E
10	39672	RING OF SLIDING CL52E
11	39664	SHOULDERED RINGS (X2)8X13
12	39665	BACK TIEROD CL52E
13	39666	AXLE 8X40 CL52E
14	39667	AXLE 8X50 CL52E
15	39668	CL52E PUSHER GUIDE ASSY
16	49221	EXACTITUBE PUSHER CL52E/CL55E/CL60E/R652
17	39671	MAGNET HOLDER ASS CL52E
18	39669	CL52E VEG. PUSHER ASSY
19	39660	CL52E REMOVABLE WALL
20	39670	SHOULD. RINGS 18x25(X2)
21	29706	CL55 PUSHER STOP ASSY
22	117321S	ANTI-FRICTION STOP
23	29692	CL52D GROOVER ASSEMBLY
25	29501	CLINCH CLIP D ASS
26	118420S	CABBAGE DISCH PADDLE
27	49527	GOUGE WRENCH R502G-R502VVG-R752-R752VV
28	39706	CL50E BOWL ASSEMBLY AFS
29	29061	LOCKING ROD ASS
30	117791	CL55 COVER BASE
31	117687	BOTTOM PLATE CL50C ULTRA
32	39276	GREY FEET ASSEMBLY D 30 (X4)
33	507341S	BELT HTD 450-5MX15
34	39674	TRANS. SUPPORT ASSY CL52E
35	105529S	DRIVEN PULLEY
36	510218S	ELASTIC SLEEVE

Index Reference Article

37	105531S	TRANSMISSION SUPPORT
38	39675	TRANSMISSION SHAFT ASSY
39	110308S	MOTOR SHAFT PIN
40	203015S	KEY 6X6X20
41	101547	DEFLECTOR CL50D
42	501678S	MOTOR SEAL 25X42X7FPM
43	39709	BALL BEARING ASSY CL50E
44	203068S	CIRCLIPS EXT 25 SAV
45	510217S	BEARING 6004 2RS
46	203206S	CIRCLIPS INT 42
47	102690S	GREY SLING PLATE CL50D
48	129451S	SAFETY SWITCH 87-53 1A66 CUTTER
49	29533	PCB SUPPORT ASSEMBLY
50	29903	FIXING KEY (X2)
51	403996	FRONT PLATE CL55E
52	502170S	I BUTTON
53	502169S	STOP BUTTON
54	503268S	ASS BUTTON II
55	403992	FRONT PLATE CL55E 2V
56	507343S	STRAIN RELIEF
57	29156	CL60 FEEDING CONE ASS
58	29530	MOTOR PULLEY ASS
61	501270S	LOWER MOTOR BEARING
62	502768S	MOTOR PIN 4X4X16
63	49257	MOTOR AXIS CLEANING BRUSH ASSEMBLY
Aa	39957	POWER CORD
Ab	39699	POWER CORD EUR
C	102481S	PCB CL50E /1
D	104925S	FAN LS D25 3000T
M	303234S	MOTOR CL52E 230/50/1
W	106216	FLASQUE AVANT + ROULEMENT - 4 BRANCHES M6 MONO
X	502474	CAPACITOR 80 μ F ??V
Y	504127S	230V RELAY
Z	502473S	CAPACITOR PERM 20 μ F 400V