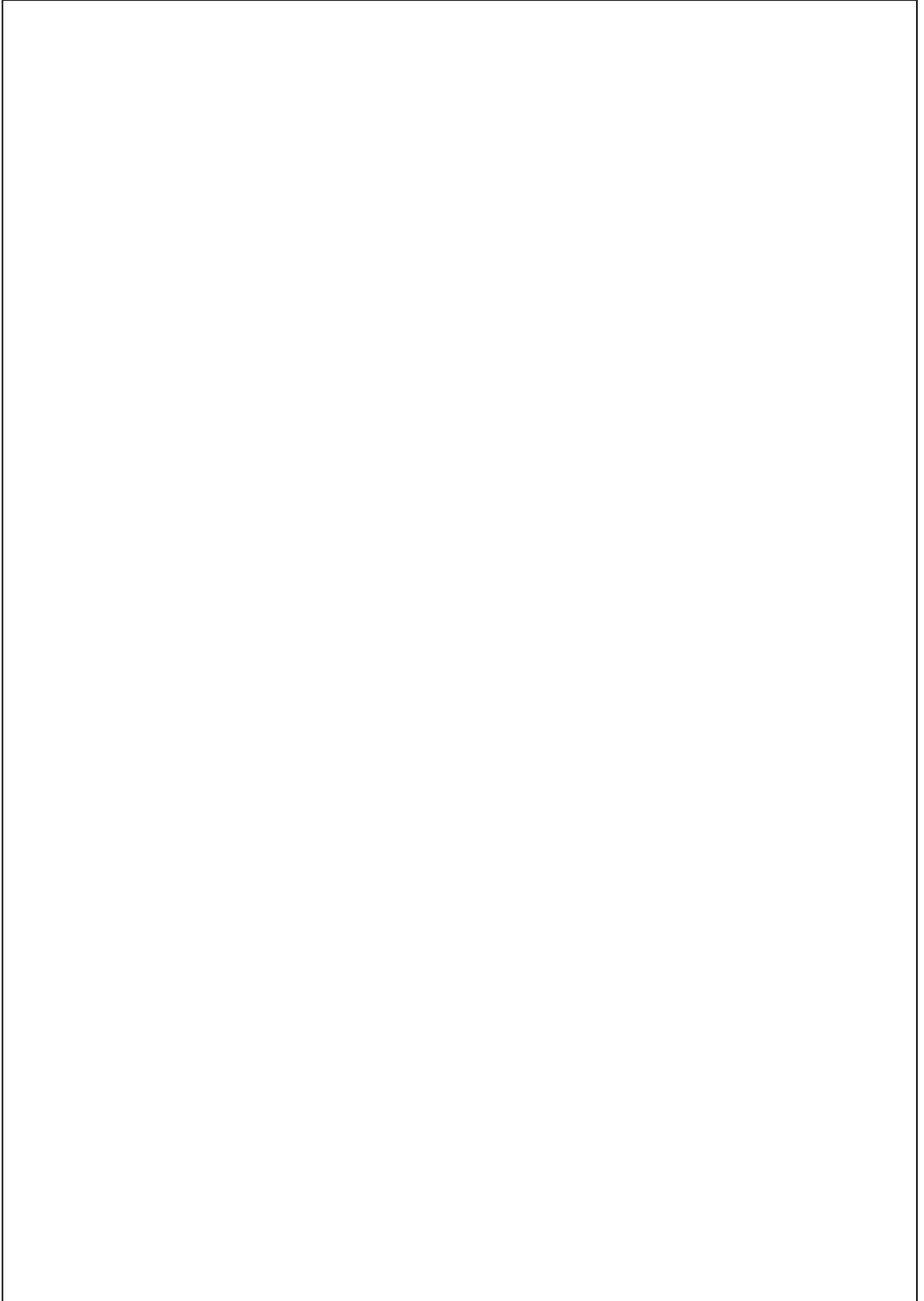
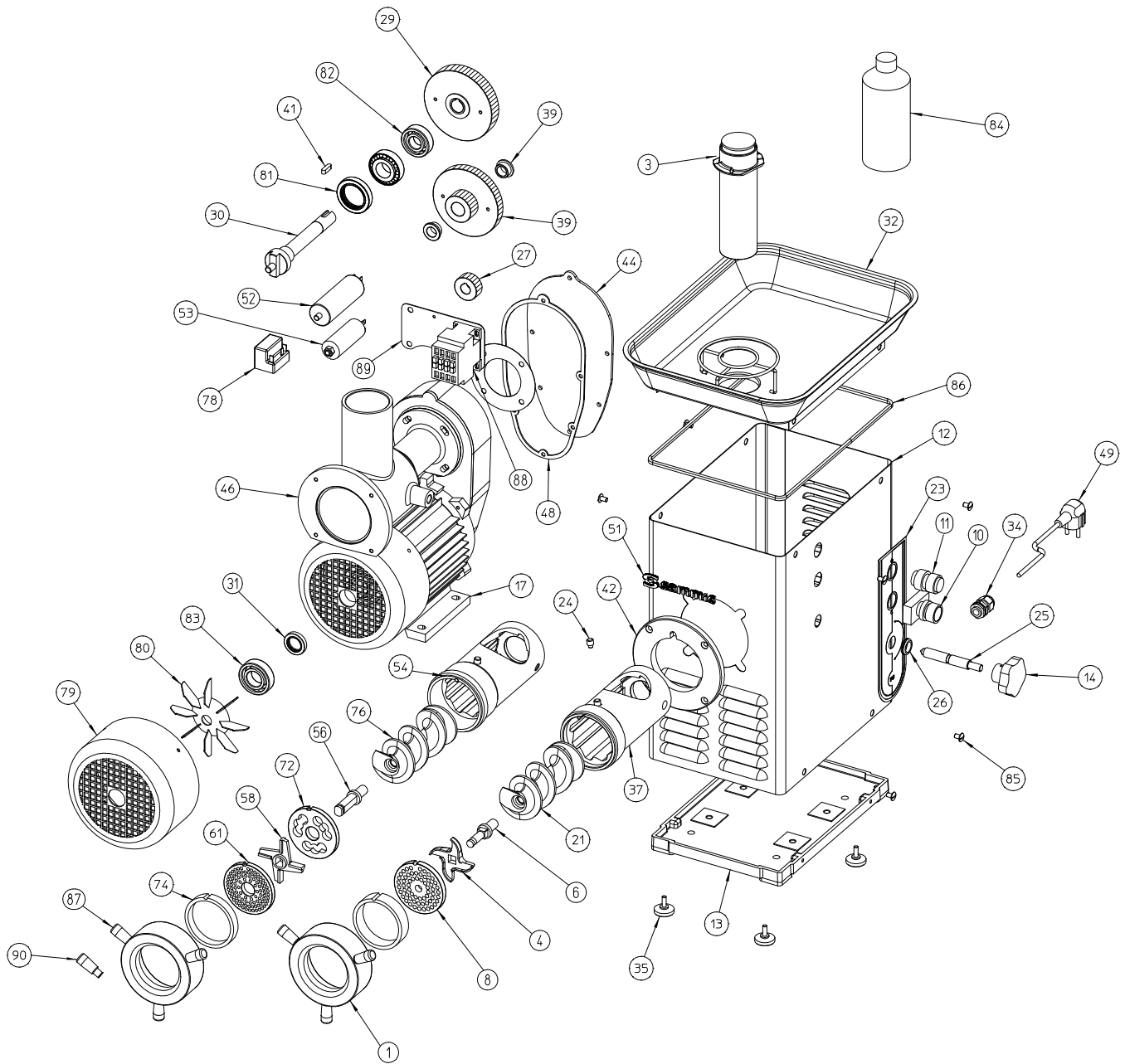


**PICADORAS DE CARNE  
PS-22 / PS-32**
**MINCERS  
PS-22 / PS-32**
**HACHOIRS À VIANDE  
PS-22 / PS-32**

N.	Denominación	Description	Dénomination	Cod.
1	Tuerca boca PC-22	Retaining ring PC-22	Ecrou de blocage PC-22	2051003
2	Tuerca boca PC-32	Retaining ring P-32	Ecrou de blocage PC-32	2052003
3	Mazo presor PC-22/32	Pusher PC-22-32	Pilon PC-22/32	2051007
4a	Cuchilla entreprise 22	Blade Entreprise 22	Lame entreprise 22	2051015
4b	Cuchilla entreprise 32	Blade Entreprise 32	Lame entreprise 32	2052015
6a	Eje arrastre cuchilla PC-22	Blade pulling shaft PC-22	Axe entraînement couteau PC-22	2051016
6b	Eje arrastre cuchilla PC-32	Blade pulling shaft PC-32	Axe entraînement couteau PC-32	2052016
8a	Placa corte 22 6mm	Mesh plate 22 6mm	Plaque perforée 22 6mm	2051052
8b	Placa corte 32 6mm	Mesh plate 32 6mm	Plaque perforée 32 6mm	2052052
10	Pulsador arranque xb2 ba	Button (start) xb2 ba	Bouton marche xb2 ba	2500500
11	Pulsador compacto rojo sal	Compact red button	Bouton arrêt	2051469
12	Carrocería PS-22/32	Body PS-22/32	Châssis PS-22/32	2051405
13	Base carrocería PS-22/32	Body base PS-22/32	Base châssis PS-22/32	2051408
14	Pomo PS-22/32	Knob PS-22/32	Poignée PS-22/32	2051410
17a	Motor PS-22 230-400/50/3	Motor set 230-400/50/3 PS-22	Moteur 230-400/50/3 PS-22	2059214
17b	Motor PS-32 230-400/50/3	Motor set 230-400/50/3 PS-32	Moteur 230-400/50/3 PS-32	2059215
17c	Motor PS-22 230/50/1	Motor set 230/50/1 PS-22	Moteur 230/50/1 PS-22	2059216
17d	Motor PS-22 230-400/60/3	Motor set 230-400/60/3 PS-22	Moteur 230-400/60/3 PS-22	2059217
17e	Motor PS-32 230-380/60/3	Motor set PS-32 230-380/60/3	Moteur 230-380/60/3 PS-32	2059218
17f	Motor PS-22 230/60/1	Motor set 230/60/1 PS-22	Moteur 230/60/1 PS-22	2059219
21a	Sinfin PS-22	Worm drive PS-22	Vis sans fin PS-22	2051445
21b	Sinfin PS-32	Worm drive PS-32	Vis sans fin PS-32	2051747
23	Adhesivo PS-22/32	Adhesive PS-22/32	Adhésif PS-22/32	2051455
24	Guía PS-22/32	Guide PS-22/32	Guide PS-22/32	2051457
25	Eje fijación boca PS-22	Shaft (outlet securing) PS-22	Axe fixation bouche PS-22	2051458
26	Pasamuros 16X19-6.4	Grommet 16X19-6.4Co	Passe mûr 16X19-6.4	2051462
27	Engrane motor PS-22/32 Z-21	Gear (motor) PS-22/32 z-21	Engrenage moteur PS-22/32 z-21	2051465
29	Engrane PS-22/32 Z-52	Gear PS-22/32 z-52	Engrenage PS-22/32 z-52	2051480
30	Eje rueda arrastre PS-22/32 (>12/06)	Carriage wheel shaft PS22/32 >12/06	Axe roue entraînement PS-22/32 (>12/06)	2051503
31	Retén 38-55-10 MAS	Retainer 38-55-10 MAS	Joint étanchéité 38-55-10	2051514
32	Bandeja PS-22/32	Tray PS-22/32	Plateau PS-22/32	2051710
33	Rodamiento cónico 30205	Bearing (conic) 30205	Roulement conique 30205	2051512
34a	Prensaestopas M-16x1,5 (5a10)	Stuffing box M16x438	Presse-étoupes M16X1,5 (5a10)	2052260
34b	Prensaestopas tipo gadi PG13,5	Stuffing box PG13,5	Presse-étoupes PG13,5	2059118
35	Pies goma SV-21	Rubber feet set SV	Complète pieds caoutchouc SV	2310221
36	Rodamiento 6204 2NSL	Bearing 6204 2 NLS	Roulement 6204 2nls	2500805
37a	Boca PS-22	Outlet set PS-22	Bouche PS-22	2059171
37b	Boca PS-32	Outlet set PS-32	Bouche PS-32	2059172
39	Engranos PS-22/32	Gear set PS-22/32	Engrenages PS-22/32	2059173
40	Casquillo PS-22/32	Washer set PS-22/32	Bague PS-22/32	2059174
41	Chavetas PS-22/32	Key set PS-22/32	Clavettes PS-22/32	2059175
42a	Aro fijación PS-22	Retaining ring set PS-22	Anneau fixation PS-22	2059176
42b	Aro fijación PS-32	Retaining ring set PS-32	Anneau fixation PS-32	2059177
44	Tapa reductora PS-22/32	Reducer cover set PS-22/32	Couvercle réducteur PS-22/32	2059178
46a	Camisa boca PS-22	Mouth sleeve set PS-22	Corps PS-22	2059180
46b	Camisa boca PS-32	Mouth sleeve set PS-32	Corps PS-32	2059181
48	Junta cierre PS-22/32	Lock gasket set PS-22/32	Joint fermeture PS-22/32	2059182
49	Cable manguera env. monofásico	Hose wire single phase	Câble gaine monophasé	2141578
49	Cable manguera 3~ PC-22/32	Hose wire three phase PC-22/32	Câble gaine 3~ PC-22/32	2051047
51	Adhesivo gota Sammic 120mm	Sammic adhesive 120mm	Adhésif Abrasive 120 mm	2311298
52	Condensador 25uf/450V	Capacitor 25uf/450V	Condensateur 25uF/450v	2501407
53	Condensador arranque 45/56MF-2	Capacitor (start) 45/56MF-2	Condensateur démarrage 45/56MF-2	2003778
54a	Boca inox PS-22	St. st. outlet set PS-22	Bouche inox PS-22	2059183
54b	Boca inox PS-32	St. st. outlet set PS-32	Bouche inox PS-32	2059184
56a	Eje sinfin Unger PS-22	Shaft (worm drive) PS-22	Axe sans fin Unger PS-22	2051489
56b	Eje sinfin Unger PS-32	Shaft (worm drive) PS-32	Axe sans fin Unger PS-32	2051789
58a	Cuchilla Unger 22	Blade Unger 22	Lame Unger 22	2051520
58b	Cuchilla Unger 32	Blade Unger 32	Lame Unger 32	2051770





**PICADORAS DE CARNE  
PS-22 / PS-32**

**MINCERS  
PS-22 / PS-32**

**HACHOIRS À VIANDE  
PS-22 / PS-32**

N.	Denominación	Description	Dénomination	Cod.
60a	Placa corte Unger 22 3mm	Mesh plate Unger 22 3mm	Plaque perforée Unger 22 3mm	2051524
60b	Placa corte Unger 22 4,5mm	Mesh plate Unger 22 4,5mm	Plaque perforée Unger 22 4,5mm	2051525
60c	Placa corte Unger 22 6mm	Mesh plate Unger 22 6mm	Plaque perforée Unger 22 6mm	2051526
60d	Placa corte Unger 22 8mm	Mesh plate Unger 22 8mm	Plaque perforée Unger 22 8mm	2051527
60e	Placa corte Unger 32 3mm	Mesh plate Unger 32 3mm	Plaque perforée Unger 32 3mm	2051774
60f	Placa corte Unger 32 4,5mm	Mesh plate Unger 32 4,5mm	Plaque perforée Unger 32 4,5mm	2051775
60g	Placa corte Unger 32 6mm	Mesh plate Unger 32 6mm	Plaque perforée Unger 32 6mm	2051776
60h	Placa corte Unger 32 8mm	Mesh plate Unger 32 8mm	Plaque perforée Unger 32 8mm	2051777
72a	Placa precorte Unger 22	Pre-mesh plate Unger 22	Plaque pré-coupe Unger 22	2051530
72b	Placa precorte Unger 32	Pre-mesh plate Unger 32	Plaque pré-coupe Unger 32	2051780
74a	Aro suplemento Unger PS-22	Ring (supplem.) Unger PS22	Anneau suppl. Unger PS-22	2051536
74b	Aro suplemento Unger PS-32	Ring (supplem.) Unger PS32	Anneau suppl. Unger PS-32	2051782
76a	Sinfin inox PS-22	Worm drive stainless st. PS-22	Vis sans fin inox PS-22	2051486
76b	Sinfin inox PS-32	Worm drive stainless st. PS-32	Vis sans fin inox PS-32	2051786
78	Relé arranque 2CR4-223	Relay (starting) 2CR4-223	Relais marche 2CR4-223	2051427
79	Tapa motor PS-22/32	Motor cover PS-22/32	Couvercle moteur PS-22/32	2059185
80	Ventilador motor PS-22/32	Fan (motor) PS-22/32	Ventilateur moteur PS-22/32	2059186
81	Retenes reduc. + motor PS	Retainer set (motor+reducer) PS	Joint étanchéité reducteur + moteur PS	2059187
82	Rodamiento reductora PS >12/2006	Reducer bearing set PS >12/2006	Roulement réducteur PS >12/2006	2059188
83	Rodamiento motor PS	Motor bearing set PS	Roulement moteur PS	2059189
84	Bidon aceite 500cc PS-22/32	Oil container 500cc	Bidon d'huile 500 cc PS-22/32	2059190
85	Tornillos carrocería + base + bandeja	Screw set (body+base+tray)	Vis châssis+base+plateau	2059191
86	Junta goma PS-22/32	Rubber gasket PS-22/32	Joint caout. PS-22/32	2059192
87a	Tuerca boca inox PS-22	Retaining ring inox PS-22	Ecrou de blocage inox PS-22	2051537
87b	Tuerca boca inox PS-32	Retaining ring inox PS-32	Ecrou de blocage inox PS-32	2051783
88	Contactador A9-4000 220-230V/50	Contactador A9-4000 220-230v/50	Contacteur A9-4000 220-230v/50	2600123
89	Chapa sop. contactor PS-22/32	Contactador holder plate	Plaque contacteur support	2059200
90	Pomo tuerca PS-22/32	Knob (washer) PS-22/32	Poignée écrou PS-22/32	2051414



**UNE-EN ISO 9001**

SAMMIC, S.L. Basarte, 1 · 20720 AZKOITIA

Nota: Todas estas especificaciones están sujetas a cambio sin previo aviso, debido a la permanente mejora del producto.  
 Note: These specifications are subject to change without prior notice due to continuous product improvement.  
 Note: Toutes ces spécifications peuvent être modifiées sans préavis dû à une permanente amélioration du produit.