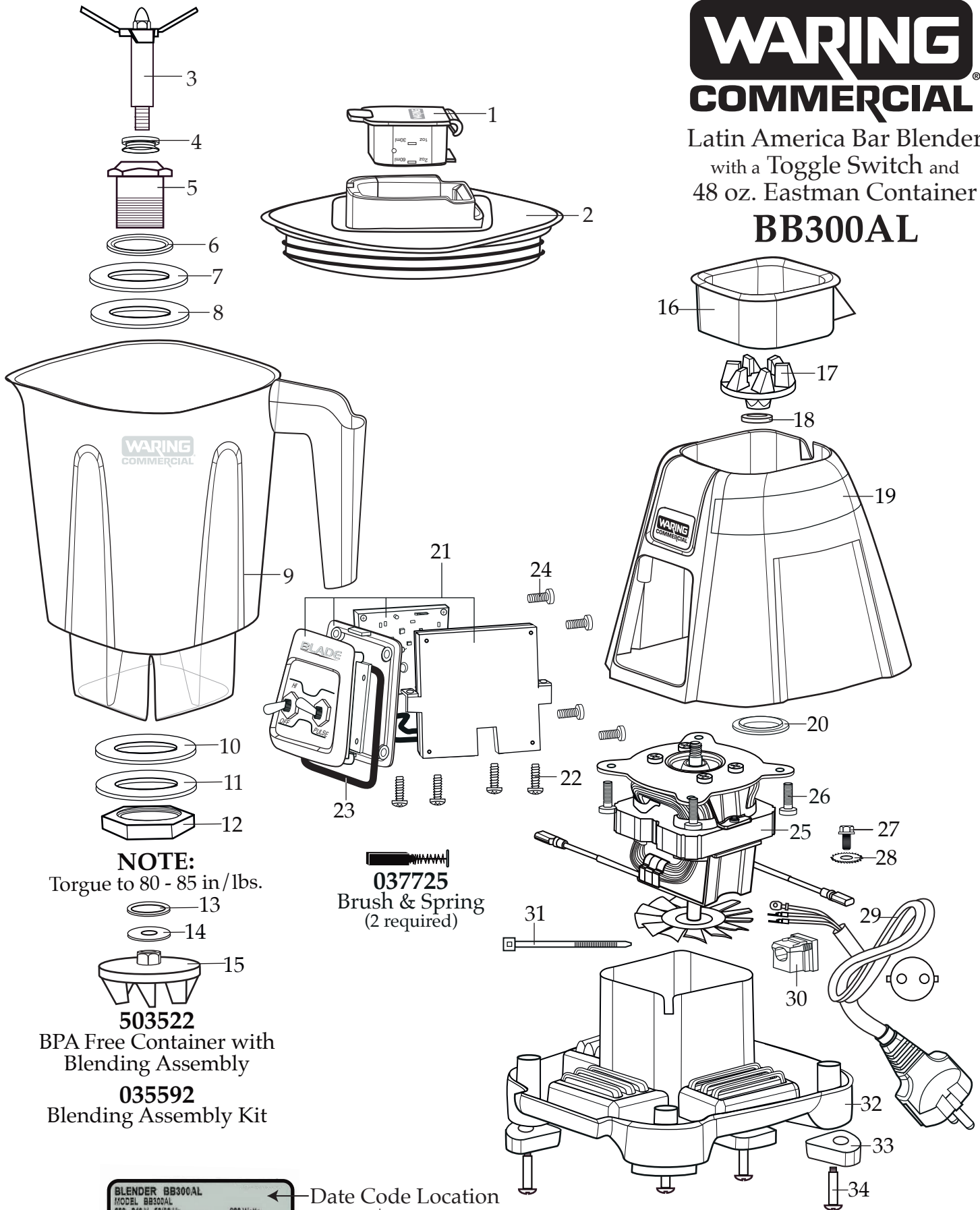


# WARING COMMERCIAL

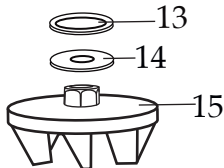
Latin America Bar Blender  
with a Toggle Switch and  
48 oz. Eastman Container

## BB300AL



**NOTE:**

Torque to 80 - 85 in./lbs.



**503522**

BPA Free Container with  
Blending Assembly

**035592**

Blending Assembly Kit

**037725**  
Brush & Spring  
(2 required)

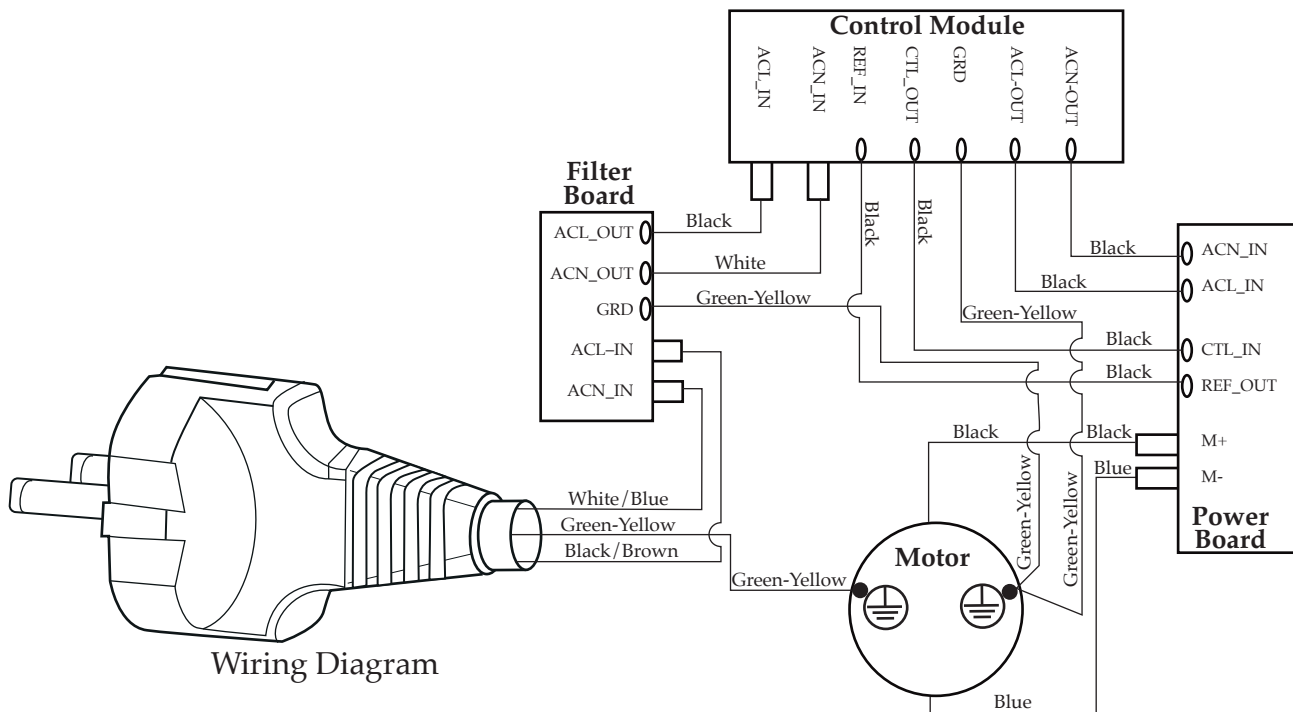


← Date Code Location  
YY|MM|DD  
year|year|month|month|day|day



| <b>Illustration#</b> | <b>Part#</b> | <b>Description</b>            |
|----------------------|--------------|-------------------------------|
| 1                    | 035153       | Jar Cover Lid                 |
| 2                    | 036319-P     | Jar Lid/polyone               |
| 3                    | 503444       | Blade Assembly                |
| 4                    | 027716       | V Seal                        |
| 5                    | 503458       | Bearing Holder/Seal Assembly  |
| 6                    | 009724       | Nylon Flat Washer             |
| 7                    | 003537       | Stainless Steel Washer        |
| 8                    | 003509       | Neoprene Washer (rubber)      |
| 9                    | 033626       | 48 oz. Eastman Container ONLY |
| 10                   | 003509       | Neoprene Washer (rubber)      |
| 11                   | 003537       | Stainless Steel Washer        |
| 12                   | 034156       | Bearing Holder Nut            |
| 13                   | 003526       | Phenolic Washer               |
| 14                   | 035048       | Flat Stainless Steel Washer   |
| 15                   | 503520       | Coupling                      |
| 16                   | 033623       | Jar Pad                       |
| 17                   | 503520       | Coupling                      |
| 18                   | 035756       | Cap Washer                    |
| 19                   | 033616       | Top Housing                   |
| 20                   | 026269       | Upper Motor Mount             |
| 21                   | 035415       | Control Panel                 |
| 22                   | 033526       | Screw (4 required)            |
| 23                   | 033737       | O Ring                        |
| 24                   | 026267       | Screw (4 required)            |
| 25                   | 035170       | Chiaphua Motor                |
| 26                   | 032611       | Screw (4 required)            |
| 27                   | 027278       | Ground Screw (2 required)     |
| 28                   | 002943       | Washer (3 required)           |
| 29                   | 503490       | Cordset Assembly              |
| 30                   | 033619       | Strain Relief                 |
| 31                   | 013731       | Wire Tie (2 required)         |

| Illustration# | Part#  | Description        |
|---------------|--------|--------------------|
| 32            | 035282 | Bottom Housing     |
| 33            | 035287 | Foot (4 required)  |
| 34            | 035260 | Screw (4 required) |



Wiring Diagram