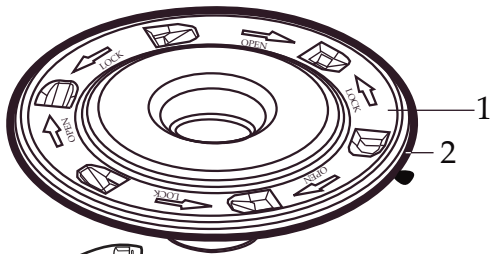
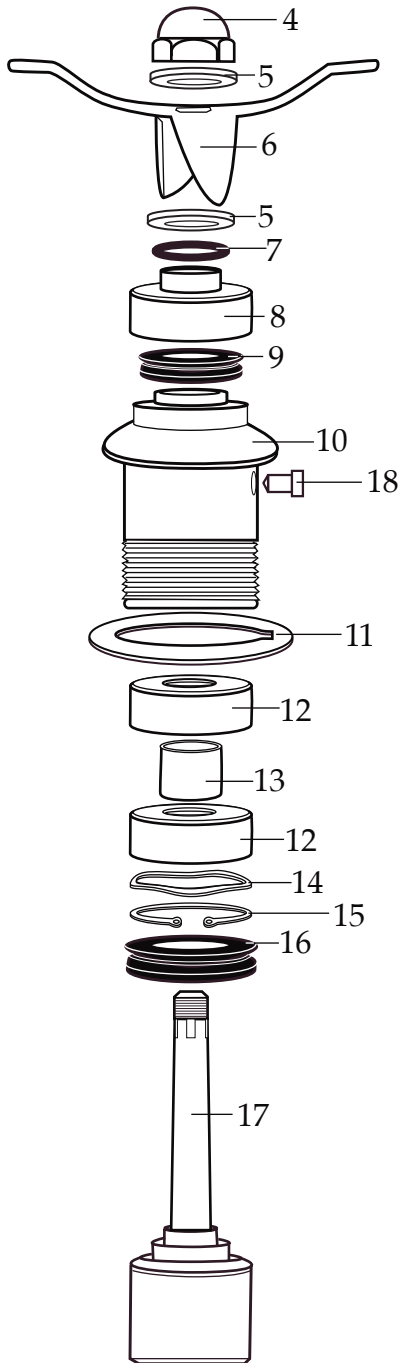
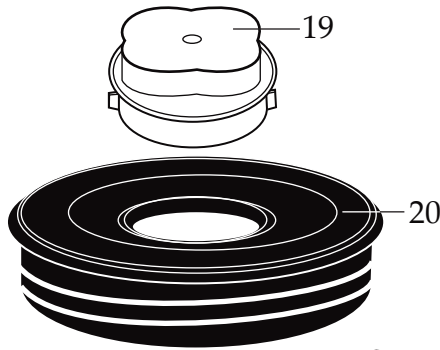
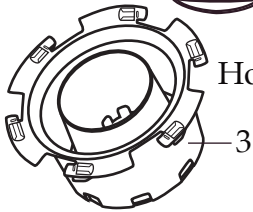




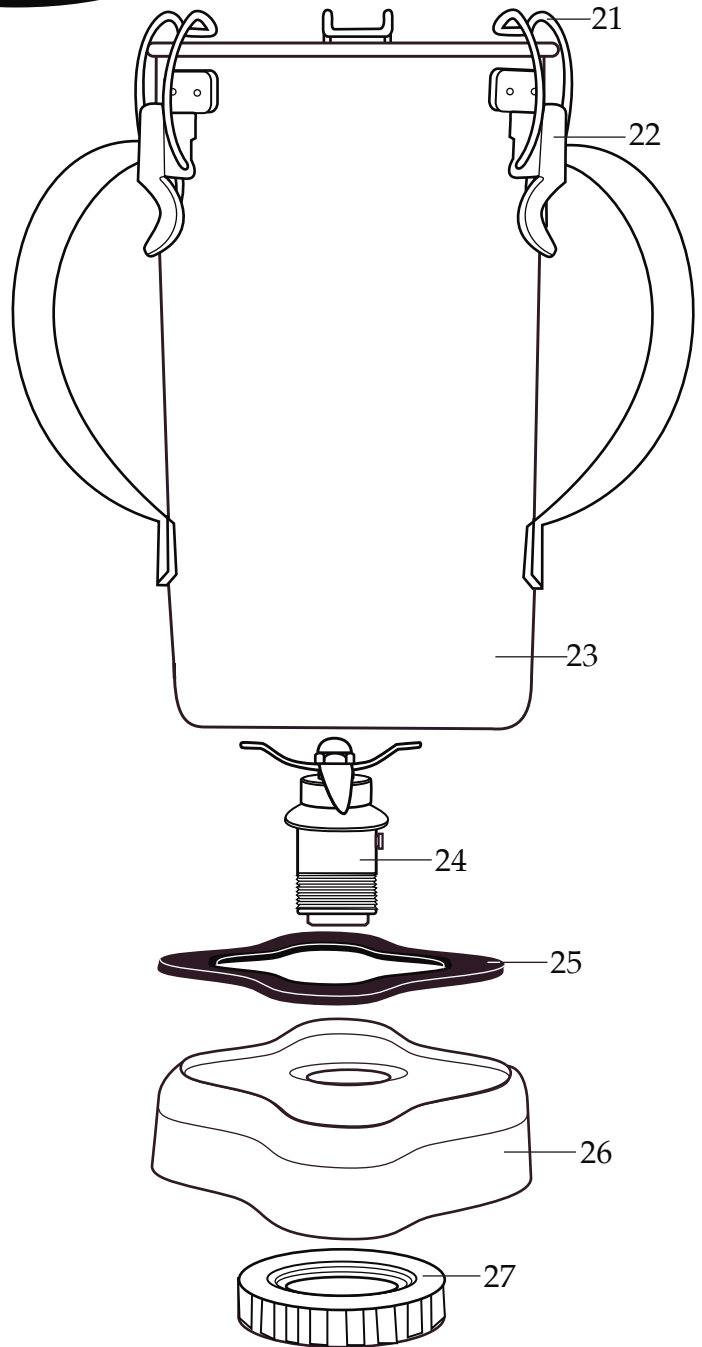
Europe One Gallon Blender  
**CB15E**



**CBL10**  
Hot Blending Lid  
(optional)



**502977**  
Blending Assembly



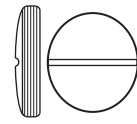
**502946**  
Container with Guard and Blending Assembly  
(on units after 11/11/2014)

**502235**  
Container with Blending Assembly

# WARING COMMERCIAL

Base Unit Components

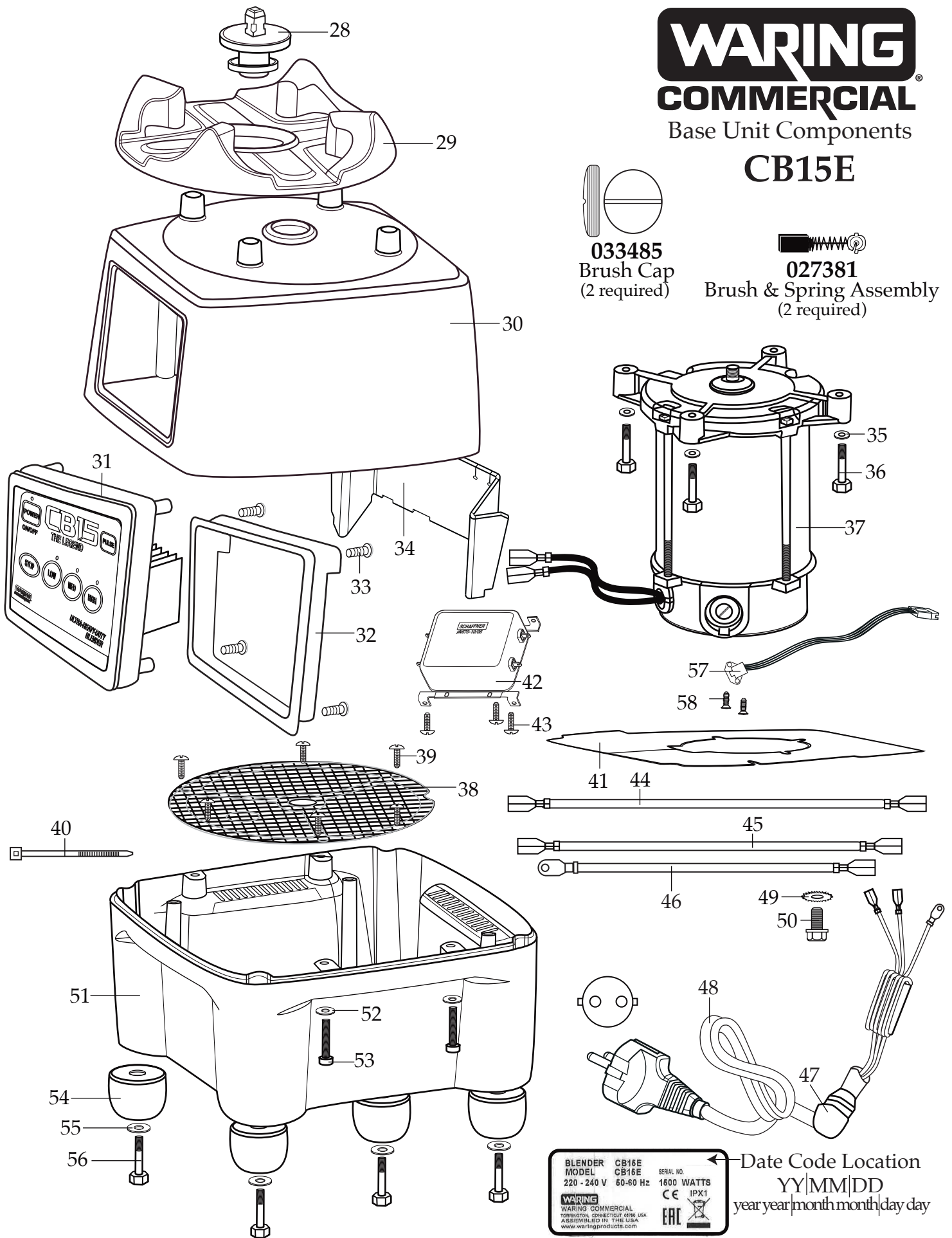
## CB15E



**033485**  
Brush Cap  
(2 required)



**027381**  
Brush & Spring Assembly  
(2 required)



BLENDER	CB16E	SERIAL NO.	
MODEL	CB16E	220 - 240 V	60-60 Hz
		1600 WATTS	
WARING	WARING COMMERCIAL	CE	IPX1
TORINGTON, CONNECTICUT 06860 USA		EH	
www.waringproducts.com			

← Date Code Location  
YY|MM|DD  
year year | month month | day day

Illustration#	Part#	Description
1	024000	Hot Blending Outer Lid
2	026496	Plastic Outer Lid Gasket ( <i>changed after 10/3/2002</i> )
3	023998	Hot Blending Lid Baffle Cup
4	002972	Cap Nut
5	027581	Flat Stainless Steel Washer (2 required)
6	027683	Blade
7	018389	"O" Ring
8	027582	Bearing Cap
9	018390	Small "V" Ring
10	023934	Bearing Holder
11	004946	Washer
12	018386	Bearing (2 required)
13	023926	Spacer
14	023907	Spring Washer
15	023927	Retaining Ring
16	023906	Large "V" Ring
17	023933	Drive Shaft
18	025817	Key
19	028530	Cover Insert
20	028226	Outer Lid
21	008791	Latch Wire (3 required)
22	502773	Bracket Assembly (spot welded to container 3 required)
23	035685	Container with Guard ( <i>on units after 6/7/2017</i> )
	027234	Container with Guard ( <i>on units after 11/11/2014</i> )
	023909	Double Handle Container
24	502977	Blending Assembly (complete)
25	004949	Container Base Gasket
26	025571	Container Support
27	012008	Lock Nut
28	503328	Coupling
29	025871	Jar Pad
30	032380	Top Housing
31	032771	Control Panel Assembly
32	029888	Control Panel Rear
33	026497	Screw (4 required)
34	030453	Control Panel Baffle

Illustration#	Part#	Description
35	002984	Washer (4 required)
36	016691	Screw (4 required)
37	035521 029876	Leili Motor 240 volt <i>(on units after 12/14/2018)</i> ECM Motor with MTP 230 volt
38	018791	Screen
39	026500	Screw (6 required)
40	013731 013731	Cable Tie (2 required <i>on units after 6/24/2013</i> ) Cable Tie (1 required with 503388)
41	026318	Baffle
42	503417	Filter & Bracket Assembly
43	026500	Screw (3 required)
44	502950	12.5" Brown Lead
45	502951	11" Blue Lead
46	502952	9" Green-Yellow Ground Lead
47	032378	Strain Relief
48	503406	Cordset/Ferrite Core Assembly <i>(comes with strain relief and core)</i>
49	002943	Ground Washer (2 required)
50	027278	Ground Screw (2 required)
51	026317	Bottom Housing
52	002984	Washer (4 required)
53	026412	Screw (4 required)
54	026296	Foot (4 required)
55	018314	Washer (4 required)
56	026493	Screw (4 required)
57	030187	Hall Effect Sensor <i>(comes with motor)</i>
58	030405	Screw (2 required <i>(comes with motor)</i> )

