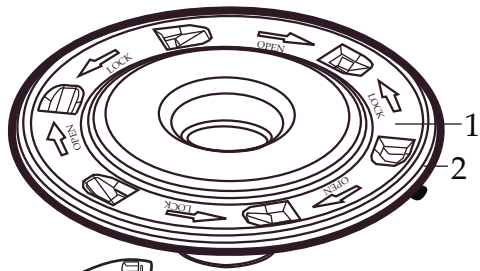
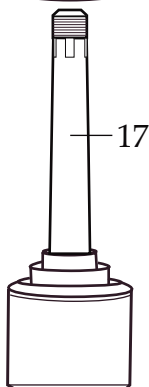
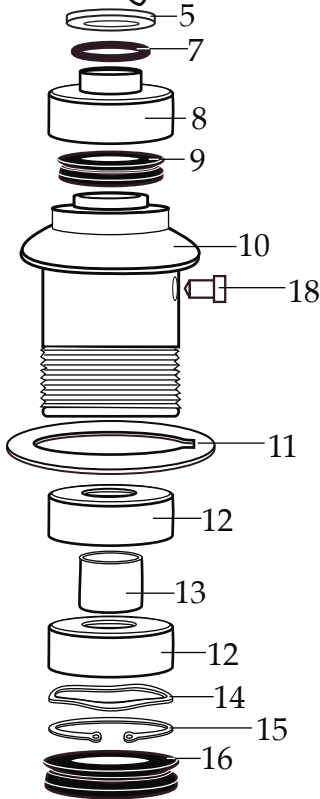
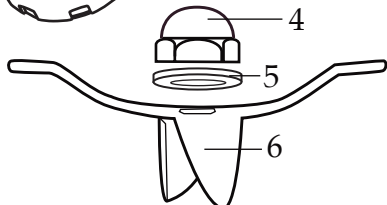
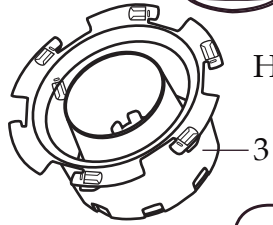




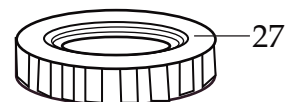
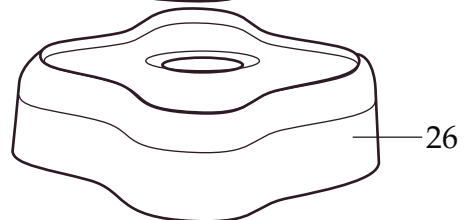
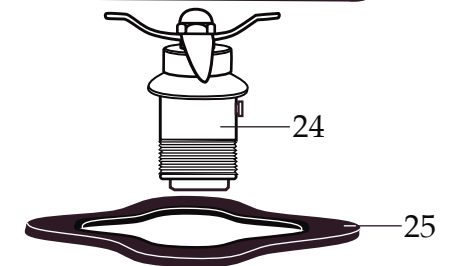
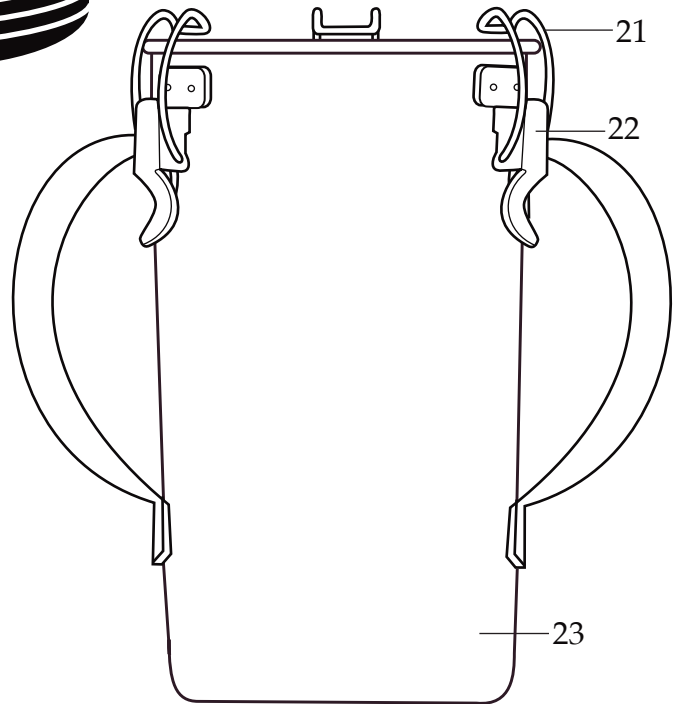
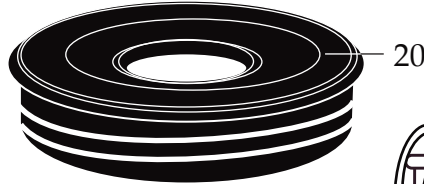
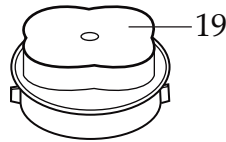
Europe One Gallon Variable Speed  
Blender with RPM Display  
**CB15VXE**



**CBL10**  
Hot Blending Lid  
(optional)



**502977**  
Blending Assembly



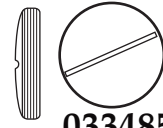
**502946**  
Container with Guard and Blending Assembly



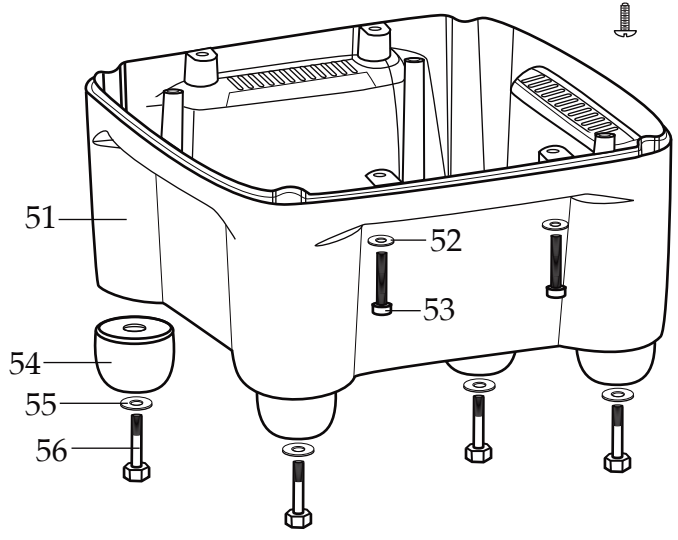
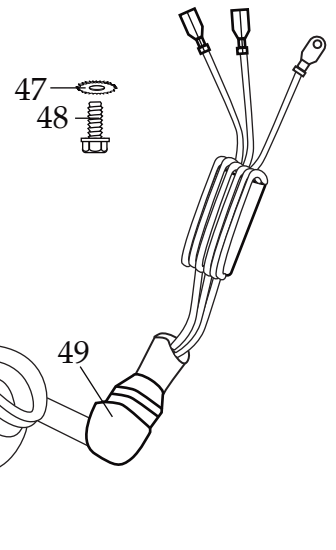
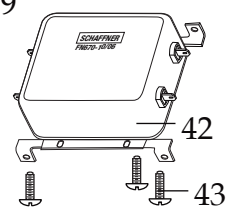
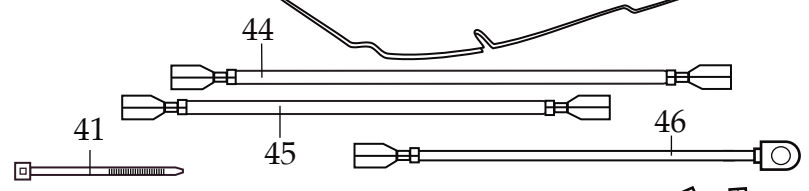
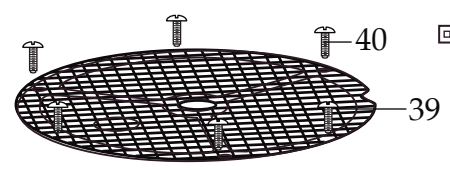
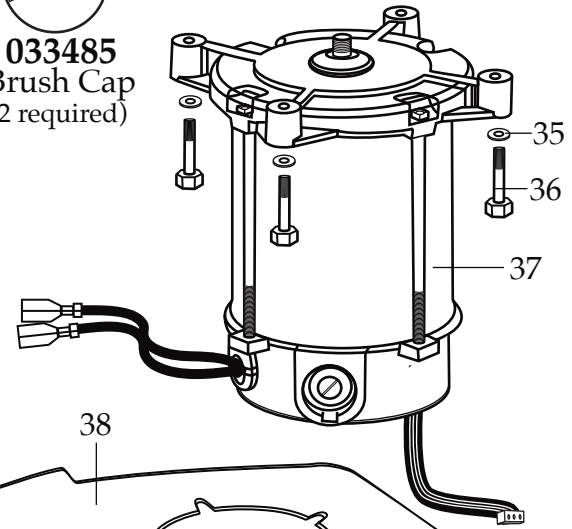
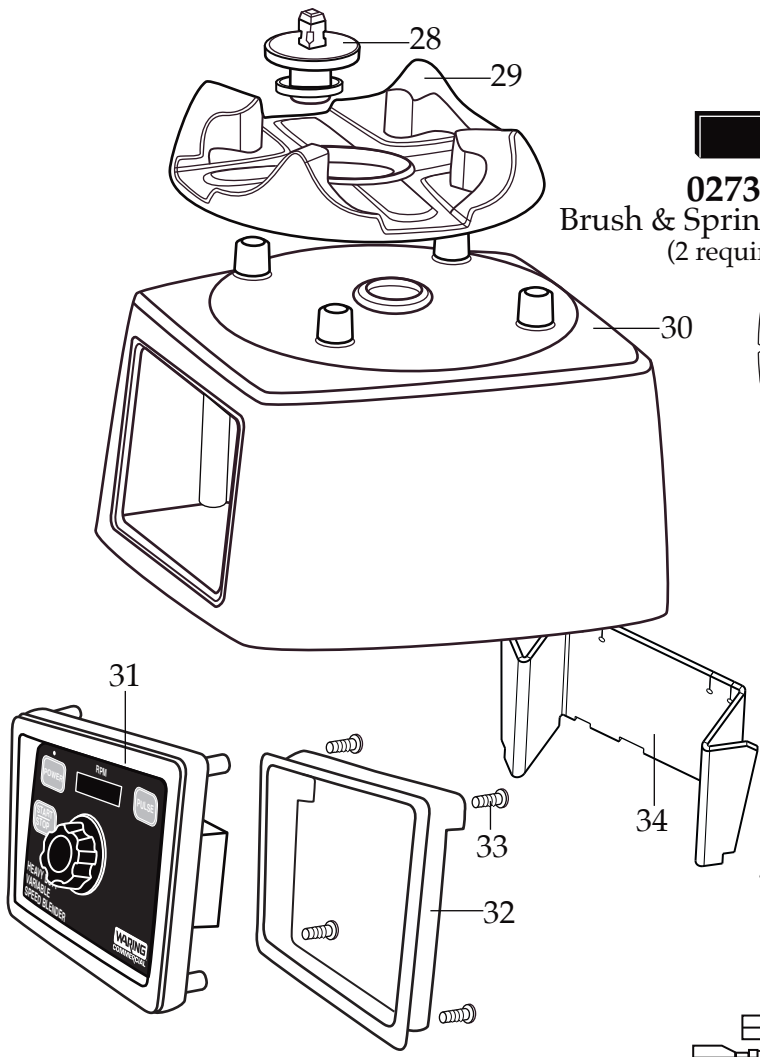
# Blender Unit Components CB15VXE



**027381**  
Brush & Spring Assembly  
(2 required)



**033485**  
Brush Cap  
(2 required)



BLENDER MODEL	CB16VXE	SERIAL NO.	
	220 - 240 V		
	60-60 Hz	1600 WATTS	
WARING COMMERCIAL		ETL	Date Code Location YY MM DD year year month month day day
WARRINGTON, CONNECTICUT 06898 USA		IPX1	
ASSEMBLED IN THE USA		CE	
www.waringproducts.com			

Illustration#	Part#	Description
1	024000	Hot Blending Outer Lid
2	026496	Hot Blending Outer Lid Gasket
3	023998	Hot Blending Baffle Cup
4	002972	Cap Nut
5	027581	Flat Washer (2 required)
6	027683	Blade
7	018389	"O" Ring
8	027582	Bearing Cap
9	018390	Small "V" Ring
10	023934	Bearing Holder
11	004946	Washer
12	018386	Bearing (2 required)
13	023926	Spacer
14	023907	Spring Washer
15	023927	Retaining Ring
16	023906	Large "V" Ring
17	023933	Drive Shaft
18	025817	Key
19	028530	Cover Insert
20	028226	Outer Lid
21	008791	Latch Wire (3 required)
22	502773	Bracket Assembly (spot welded to container 3 required)
23	035685	Container with Guard <i>(on units after 6/7/2017)</i>
	027234	Container with Guard use 035685
24	502977	Blending Assembly
25	004949	Container Support Gasket
26	025571	Container Support
27	012008	Lock Nut
28	503328	Coupling with Magnet Ring
29	025871	Jar Pad
30	032380	Top Housing
31	035421	Control Panel Assembly
32	029888	Control Panel Rear
33	026497	Screw (4 required)
34	030453	Control Panel Baffle

Illustration #	Part #	Description
35	002984	Washer (4 required)
36	016691	Bolt (4 required)
37	035521 029876	Leili Motor <i>(changed after 12/14/2018)</i> ECM Motor with MTP & Sensor use 035521
38	026318	Baffle
39	018791	Screen
40	026500	Screw (6 required)
41	013731	Cable Tie
42	503417 503405	Filter/Bracket Assembly <i>(on units after 11/15/2016)</i> Filter/Bracket Assembly
43	026500	Screw (3 required)
44	502950	12.5" Brown Lead Assembly
45	502951	11" Blue Lead Assembly
46	502952	9" Green-Yellow Lead Assembly
47	002943	Ground Washer (2 required)
48	027278	Ground Screw (2 required)
49	032378	Strain Relief
50	503406	Cord Set/Ferrite Core Assembly
51	026317	Bottom Housing
52	002984	Washer (4 required)
53	026412	Screw (4 required)
54	026296	Foot (4 required)
55	018314	Washer (4 required)
56	026493	Screw (4 required)

