

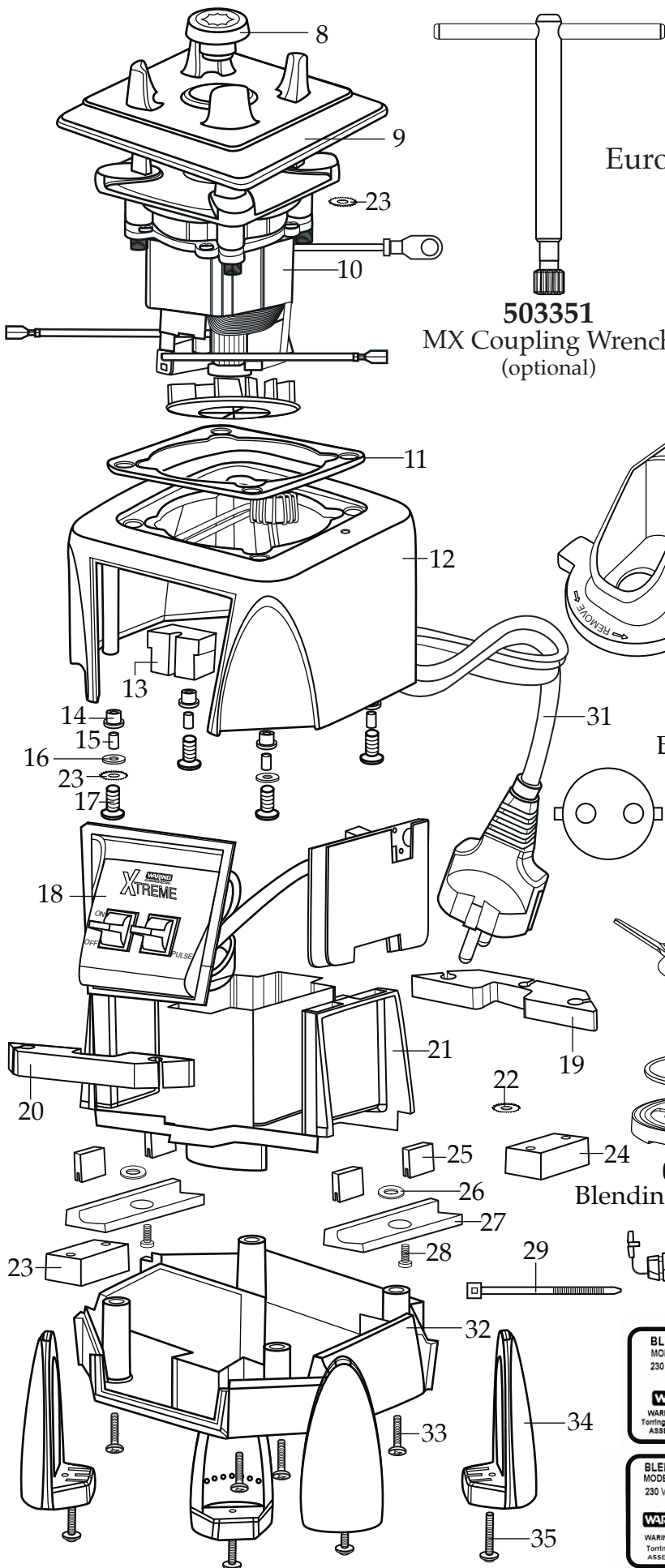
WARING COMMERCIAL

Europe Xtreme Blenders with Paddle Switch
& 64 oz. Stackable Container

MX1000TXEE

MX1000TXSEE

with Sound Enclosure



503351
MX Coupling Wrench
(optional)

032761
MX Jar Wrench
(optional)

036743
Brush/Spring
(2 required)

032322
2 Piece Lid

030889
Blending Assembly Kit

OUNCES
MAX FILL LINE
64
56
48
40
32
MAX FILL LINE
FOR CLEANING



Date Code Location
YY|MM|DD
year|month|month|day|day



Catalog	Model
MX1000XTXEE	MX1000XT11CE
MX1000XTXSEE	MX1000XT12CE

Waring Factory Service Center
314 Ella T. Grasso Ave.
Torrington, CT 06790
Tele. 1-800-269-6640

COMMERCIAL
Fax 860-496-9017
www.waringcommercialproducts.com

Illustration#	Part#	Description
1	028769-E	Eastman Jar Lid Cover
2	028768	Jar Lid
3	503326	64 oz. Stackable Raptor Container ONLY
	503398	64 oz. Raptor Container with Blending Assembly <i>(on units after 2/25/2011)</i>
	503350	64 oz. Stackable Container with Blending Assembly
4	503397	Blade Assembly <i>(on units after 2/25/2011)</i>
	503345	Blade Assembly
5	024271	Bearing Holder O Ring
6	024268	Nut Gasket
7	029631	Bearing Holder Nut
8	503601	Drive Coupling with Adapter <i>(on units after 3/29/2022)</i>
	503604	Drive Coupling with Adapter 2 Gen. <i>(changed 6/1/2021)</i>
	028538	Drive Coupling
9	026442	Jar Pad
10	035398	Leili Motor without Sensor <i>(on units after 8/25/2017)</i>
	028823	ECM Motor without Sensor <i>(use 035398 with kit 503382-E-67)</i>
11	038278	Dampening Plate Gasket <i>(on units after 8/25/2022)</i>
	026437	Dampening Plate Gasket
12	503382-E-67	MX Housings, Ferrite Core & Cord <i>(on units after 8/25/2017)</i>
	503382-E	MX Housings, Ferrite Core & Cord <i>(on units after 2/7/2013)</i>
13	028541	Motor Foam (2 required)
14	026439	Dampening Plate Bushing (4 required)
15	038486	Dampening Plate Sleeve (4 required <i>on units after 8/25/2022</i>)
	026453	Dampening Plate Sleeve (4 required)
16	026459	Washer (2 required)
17	028929	Sems (4 required)
18	036395	Control Panel with Interlock comes with switches-filter board-main board-key board
	033466	Soft Start Sealed Switch Control Panel <i>(changed after 8/13/13)</i>
19	028248	Top Housing Foam Rear Baffle
20	028249	Top Housing Foam Front Baffle
21	<i>Motor Housing is Included with Illustration# 12</i>	
22	002943	Washer (3 required)
23	028247	Bottom Housing Foam Baffle
24	028542	Foam Baffle
25	034900	PCB Cushion (4 required <i>on units after 7/1/2019</i>)
26	037232	Flat Neoprene Washer (2 required <i>on units after 7/1/2019</i>)
27	037007	PCB Mounting Bracket (2 required <i>on units after 7/1/2019</i>)
28	013768	Screw (2 required <i>on units after 7/1/2019</i>)
29	013731	Cable Tie (3 required)
30	007556	Strain Relief <i>(on units after 6/25/2018)</i>
	035384	Strain Relief <i>(on units after 3/31/2016)</i>
	007556	Strain Relief

Catalog	Model
MX1000XTXEE	MX1000XT11CE
MX1000XTXSEE	MX1000XT12CE

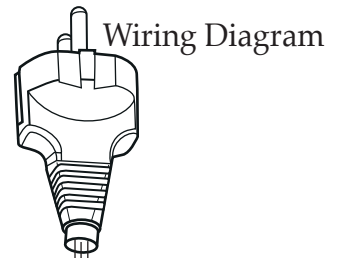
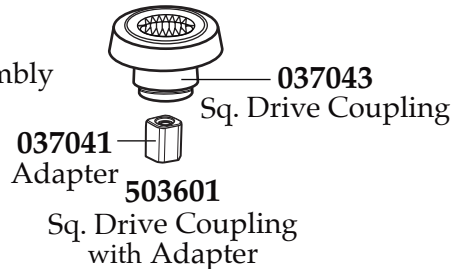
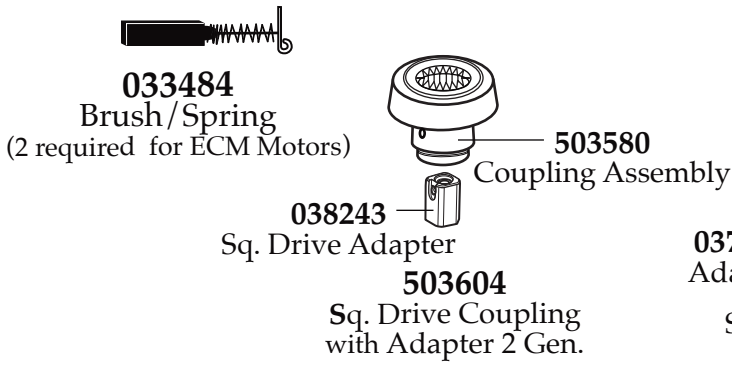
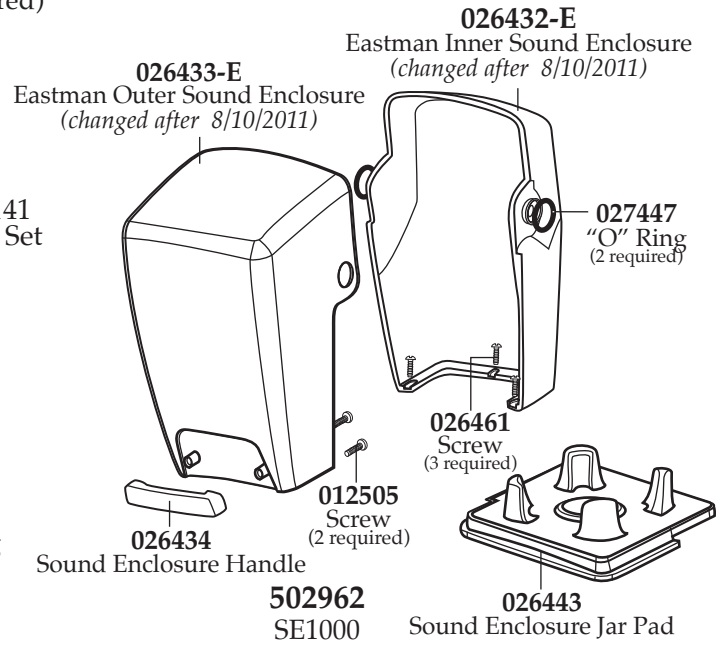
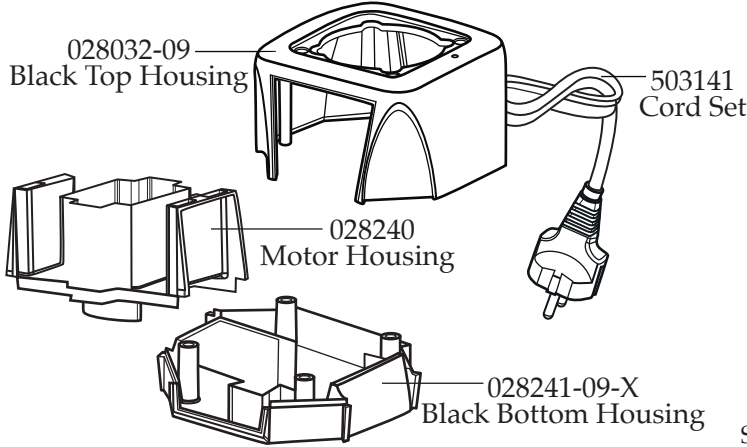
Waring Factory Service Center
314 Ella T. Grasso Ave.
Torrington, CT 06790
Tele. 1-800-269-6640

Fax 860-496-9017
www.waringcommercialproducts.com

Illustration#	Part#	Description
31		<i>Cord is Included with Illustration# 12</i>
32		<i>BottomHousing is Included with Illustration# 12</i>
33	012505	Screw (4 required)
34	026430	Corner Post (4 required)
35	028928	Sems (4 required)

Parts No Longer Used

(Last used on 2/7/2013)



Wiring Diagram

(on units after 2/7/2013)

