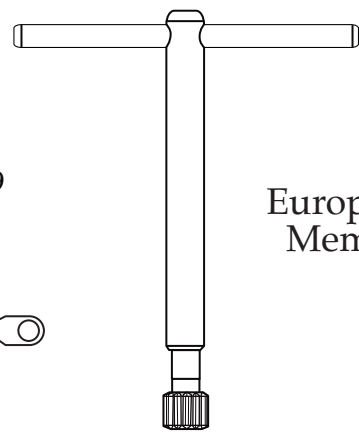
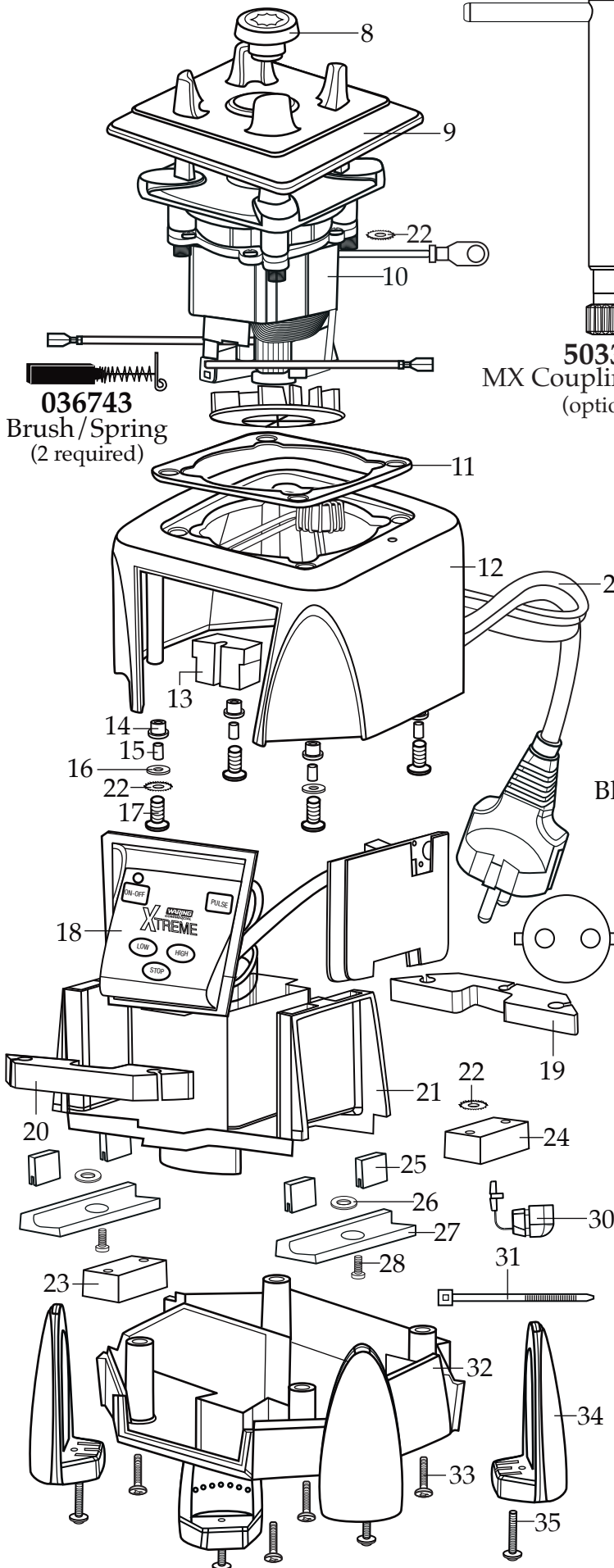




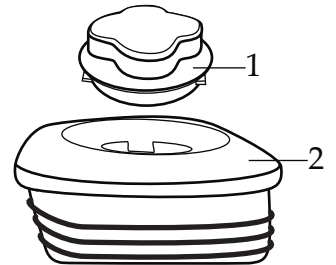
Europe Xtreme Blenders with Electronic Membrane Keypad and 64 oz. Raptor Container

**MX1050XTXEE**  
**MX1050XTXSEE**  
with Sound Enclosure

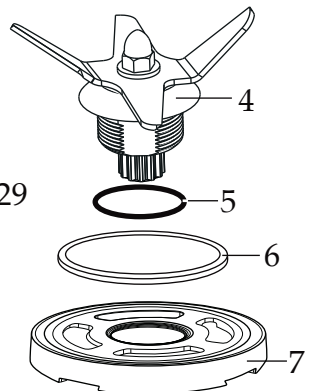


**503351**  
MX Coupling Wrench  
(optional)

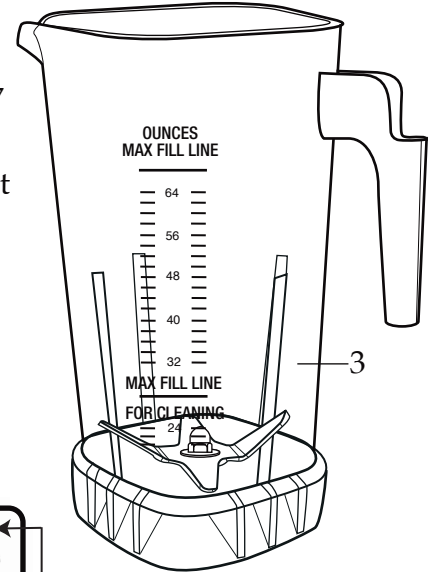
**036743**  
Brush/Spring  
(2 required)



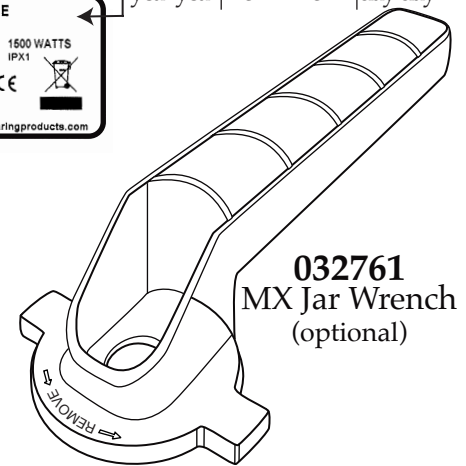
**032322**  
2 Piece Lid



**030889**  
Blending Assembly Kit



Date Code Location  
YY|MM|DD  
year|year|month|month|day|day



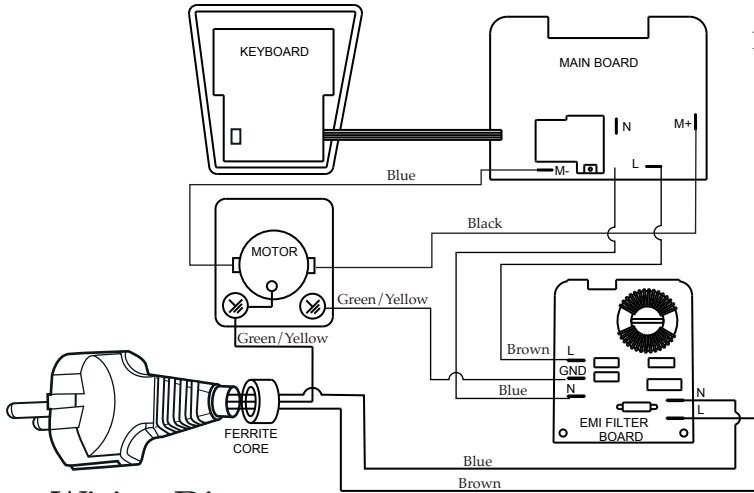
**032761**  
MX Jar Wrench  
(optional)

<b>Catalog</b>	<b>Model</b>
MX1050XTXEE	MX1050XT11CE
MX1050XTXSEE	MX1050XT12CE



<b>Illustration#</b>	<b>Part#</b>	<b>Description</b>
1	028769-E	Jar Lid Cover
2	028768	Jar Lid
3	503326	64 oz. Stackable Raptor Container ONLY
	503398	64 oz. Raptor Container with Blending Assembly <i>(on units after 2/24/11)</i>
	503350	64 oz Stackable Container with Blending Assembly
4	503397	Blade Assembly <i>(changed after 2/17/2011)</i>
5	024271	Bearing Holder O Ring
6	024268	Nut Gasket
7	029631	Bearing Holder Nut
8	503601	Sq. Drive Coupling with Adapter <i>(on units after 3/29/2022)</i>
	503604	Sq. Drive Coupling with Adapter 2 Gen. <i>(on units after 6/1/2021)</i>
	028538	Drive Coupling
9	026442	Jar Pad
10	035398	Leili Motor without Sensor <i>(on units after 8/28/2017)</i>
	028823	ECM Motor without Sensor <i>(use 035398 with kit 503382-E-67)</i>
11	038278	Dampening Plate Gasket <i>(on unit after 8/25/2022)</i>
	026437	Dampening Plate Gasket
12	503382-E-67	MX Housings, Ferrite Core & Cord <i>(on units after 10/19/2017)</i>
	503382-E	MX Housings, Ferrite Core & Cord <i>(on units after 6/21/2013)</i>
13	028541	Motor Foam (2 required)
14	026439	Dampening Plate Bushing (4 required)
15	038486	Dampening Plate Sleeve (4 required <i>on units after 8/25 2022</i> )
	026453	Dampening Plate Sleeve (4 required)
16	026459	Washer (2 required)
17	028929	Sems (4 required)
18	036397	Control Panel with Interlock <i>(changed after 9/27/2019)</i> comes with key board-main board-filter board
	029814	Soft Start Control Panel <i>(changed after 6/21/2013 use 036397)</i>
19	028248	Top Housing Foam Rear Baffle
20	028249	Top Housing Foam Front Baffle
21	<i>Motor Housing is Included with Illustration# 12</i>	
22	002943	Washer (3 required)
23	028247	Bottom Housing Foam Baffle
24	028542	Foam Baffle
25	034900	Cushion (4 required <i>on units after 7/18/2019</i> )
26	037232	Flat Neoprene Washer (2 required <i>on units after 7/18/2019</i> )
27	037007	PCB Mounting Bracket (2 required <i>on units after 7/18/2019</i> )
28	013768	Screw (2 required <i>on units after 7/18/2019</i> )
29	<i>Cord is Included with Illustration# 12</i>	
30	007556	Strain Relief <i>(changed after 6/21/2018)</i>
	035384	Strain Relief <i>(on units after 2/18/2016)</i>
	007556	Strain Relief

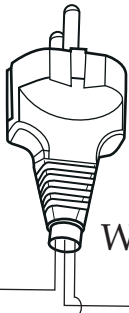
<b>Illustration#</b>	<b>Part#</b>	<b>Description</b>
31	013731	Cable Tie (3 required)
32	<i>Bottom Housing is Included with Illustration# 12</i>	
33	012505	Screw (4 required)
34	026430	Corner Post (4 required)
35	028928	Sems (4 required)



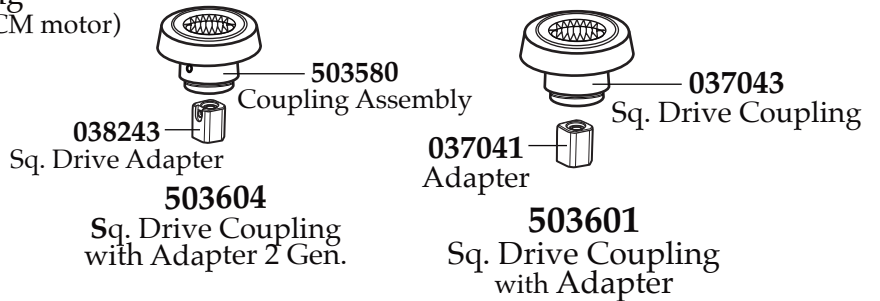
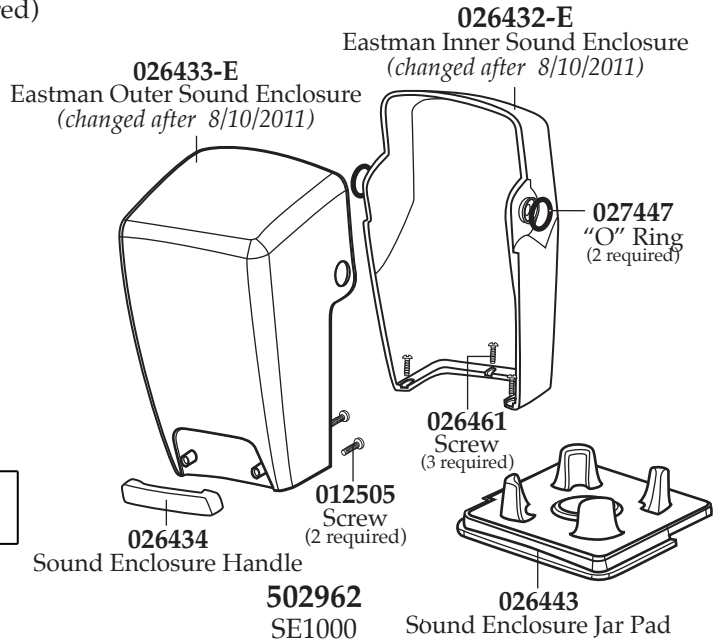
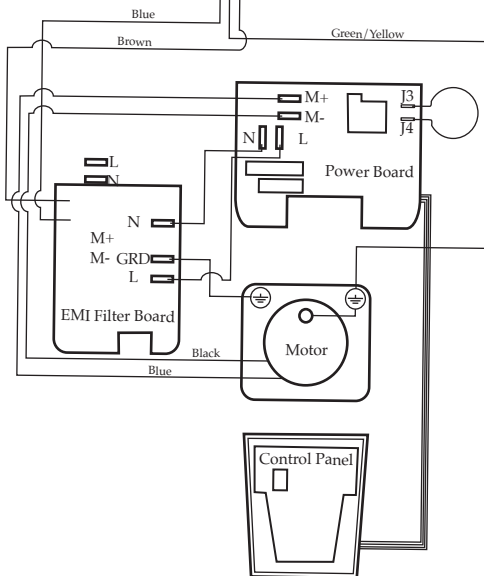
**Wiring Diagram**  
*(on units after 6/21/2013)*



**033484**  
**Brush/Spring**  
 (2 required use with ECM motor)



**Wiring Diagram**



**Parts No Longer Used**

*(Last used on 2/7/2013)*

