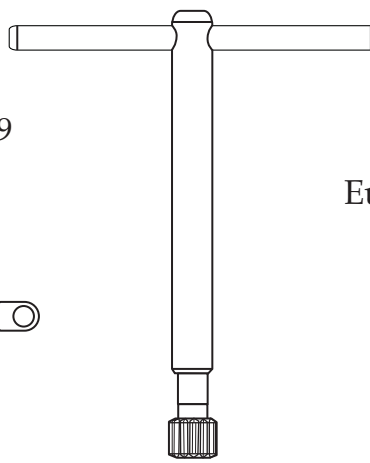
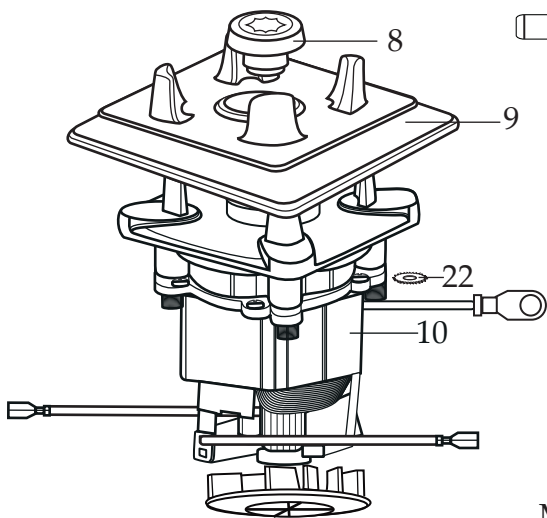


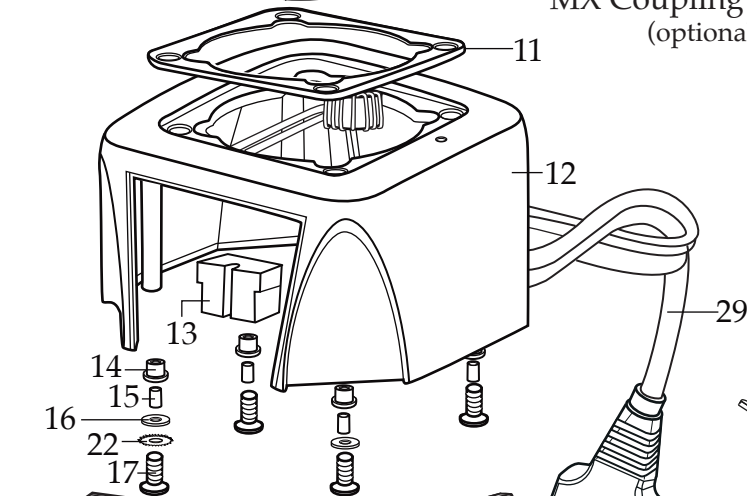


Europe Xtreme Blenders with Electronic Membrane Keypad and a 30 Second Electronic Countdown Timer with a 64 oz. Stackable Container

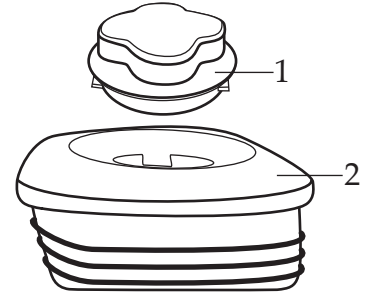
**MX1100XTXEE**  
**MX1100XTXSEE**  
with Sound Enclosure



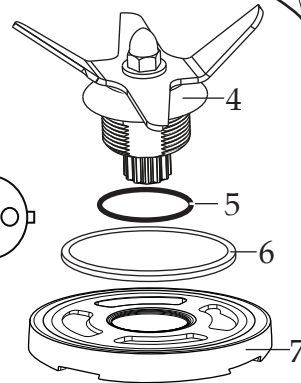
**503351**  
MX Coupling Wrench  
(optional)



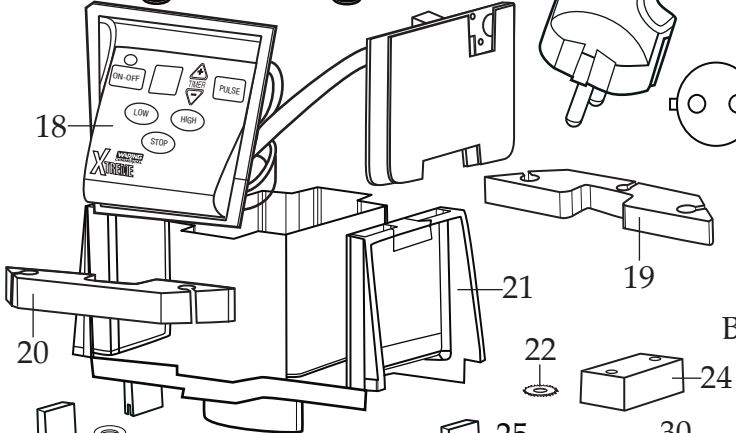
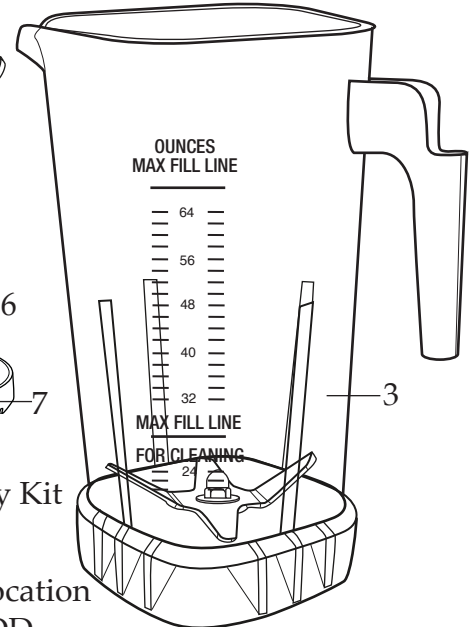
**036743**  
Brush/Spring  
(2 required)



**032322**  
2 Piece Lid



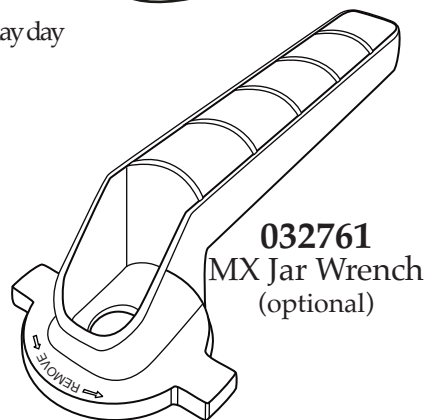
**030889**  
Blending Assembly Kit



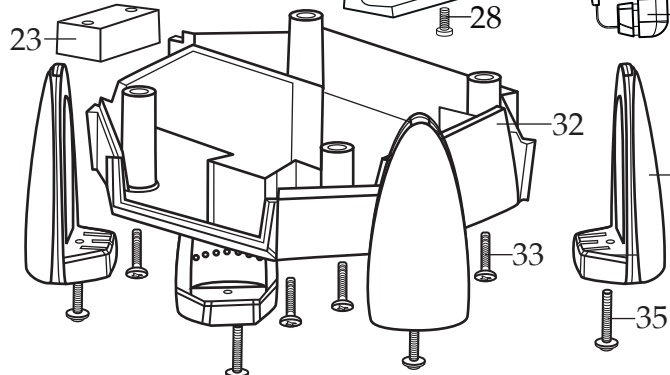
Date Code Location  
YY|MM|DD  
year year | month month | day day



Date Code Location  
YY|MM|DD  
year year | month month | day day



**032761**  
MX Jar Wrench  
(optional)



<b>Catalog</b>	<b>Model</b>
MX1100XTXEE	MX1100XT11CE
MX1100XTXSEE	MX1100XT12CE



<b>Illustration#</b>	<b>Part#</b>	<b>Description</b>
1	028769-E	Jar Lid Cover
2	028768	Jar Lid
3	503326	64 oz. Raptor Container ONLY
	503398	64 oz. Raptor Container with Blending Assembly <i>(on units after 2/3/2011)</i>
	503350	64 oz. Stackable Container with Blending Assembly <i>(last used on 2/3/2011)</i>
4	503397	Blade Assembly <i>(on units after 2/3/2011)</i>
	503345	Blade Assembly <i>(last used on 2/3/2011)</i>
5	024271	Bearing Holder O Ring
6	024268	Nut Gasket
7	029631	Bearing Holder Nut
8	503601	Sq. Drive Coupling with Adapter <i>(on units after 5/7/2021)</i>
	503604	Sq. Drive Coupling with Adapter 2 Gen. <i>(changed after 5/7/2021)</i>
	028538	Drive Coupling <i>(last used on 5/7/2021)</i>
9	026442	Jar Pad
10	035398	Leili Motor without Sensor <i>(on units after 8/28/2017)</i>
	028823	ECM Motor without Sensor <i>(use 035398 with kit 503382-E-67)</i>
11	038278	Dampening Plate Gasket <i>(on units after 8/25/2022)</i>
	026437	Dampening Plate Gasket
12	503382-E-67	MX Housings, Ferrite Core & Cord <i>(on units after 10/19/2017)</i>
	503382-E	MX Housings, Ferrite Core & Cord <i>(on units after 10/11/2012)</i>
13	028541	Motor Foam (2 required)
14	026439	Dampening Plate Bushing (4 required)
15	038486	Dampening Plate Sleeve (4 required <i>on units after 8/25/2022</i> )
	026453	Dampening Plate Sleeve (4 required)
16	026459	Washer (2 required)
17	028929	Sems (4 required)
18	036399	Control Panel with Interlock <i>(changed after 6/4/2018)</i> comes with key board-main board-filter board
	029815	Soft Start Control Panel <i>(use 036399)</i>
19	028248	Top Housing Foam Rear Baffle
20	028249	Top Housing Foam Front Baffle
21	<i>Motor Housing is Included with Illustration# 12</i>	
22	002943	Washer (3 required)
23	028247	Bottom Housing Foam Baffle
24	028542	Foam Baffle
25	034900	PCB Cushion (4 required <i>on units after 7/18/2019</i> )
26	037232	Falt Neoprene Washer (2 required <i>on units after 7/18/2019</i> )
27	037007	PCB Mounting Bracket (2 required <i>on units after 7/18/2019</i> )
28	013768	Screw (2 required <i>on units after 7/18/2019</i> )
29	<i>Cord is Included with Illustration# 12</i>	
30	013731	Cable Tie (3 required <i>last used on 7/1/2019</i> )
31	007556	Strain Relief <i>(on units after 6/4/2018 and before 4/1/2016)</i>
	035384	Strain Relief <i>(on units after 4/1/2016)</i>

<b>Catalog</b>	<b>Model</b>
MX1100XTXEE	MX1100XT11CE
MX1100XTXSEE	MX1100XT12CE

**Waring Factory Service Center**  
**314 Ella T. Grasso Ave.**  
**Torrington, CT 06790**  
**Tele. 1-800-269-6640**

Fax 860-496-9017  
[www.waringcommercialproducts.com](http://www.waringcommercialproducts.com)

<b>Illustration#</b>	<b>Part#</b>	<b>Description</b>
32		<i>Bottom Housing is Included with Illustration# 12</i>
33	012505	Screw (4 required)
34	026430	Corner Post (4 required)
35	028928	Sems (4 required)

**Parts No Longer Used**

*(Last used on 10/11/2012)*

