

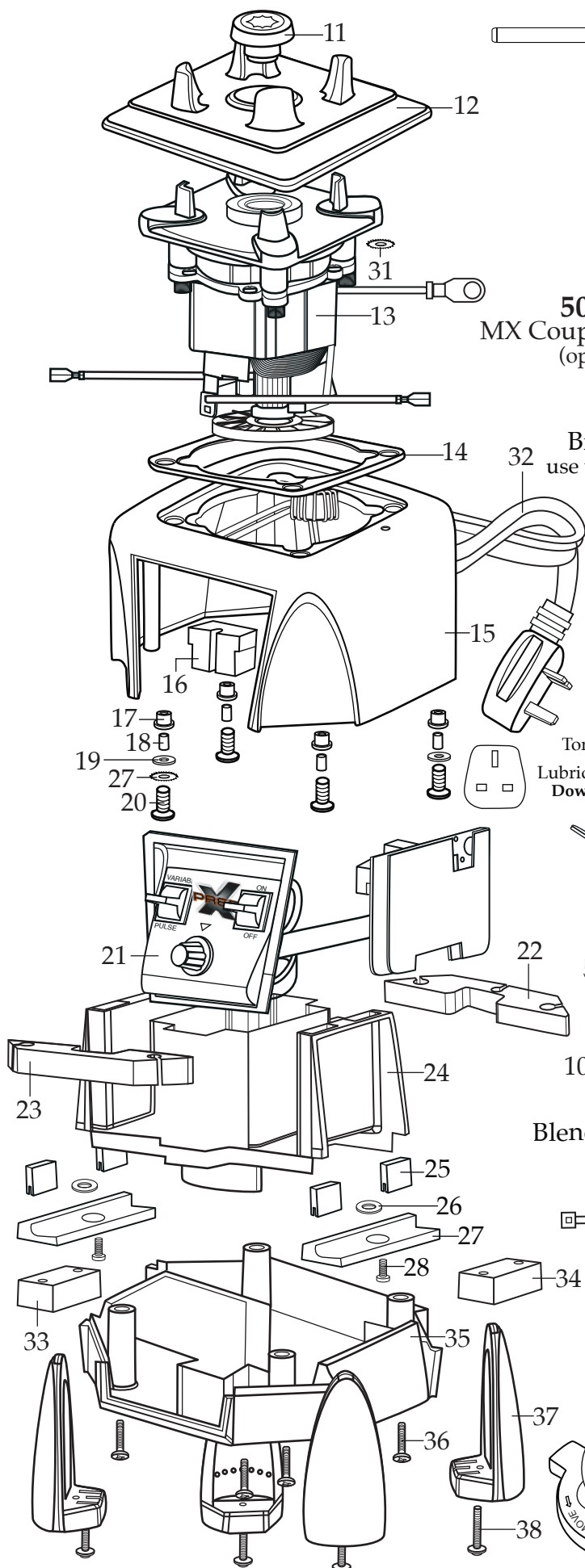
# WARING COMMERCIAL

UK Variable Speed Blenders  
with 64 oz. Stainless Steel Container

## MX1200XTEKS

## MX1200XTSEKS

with Sound Enclosure



**503351**  
MX Coupling Wrench  
(optional)

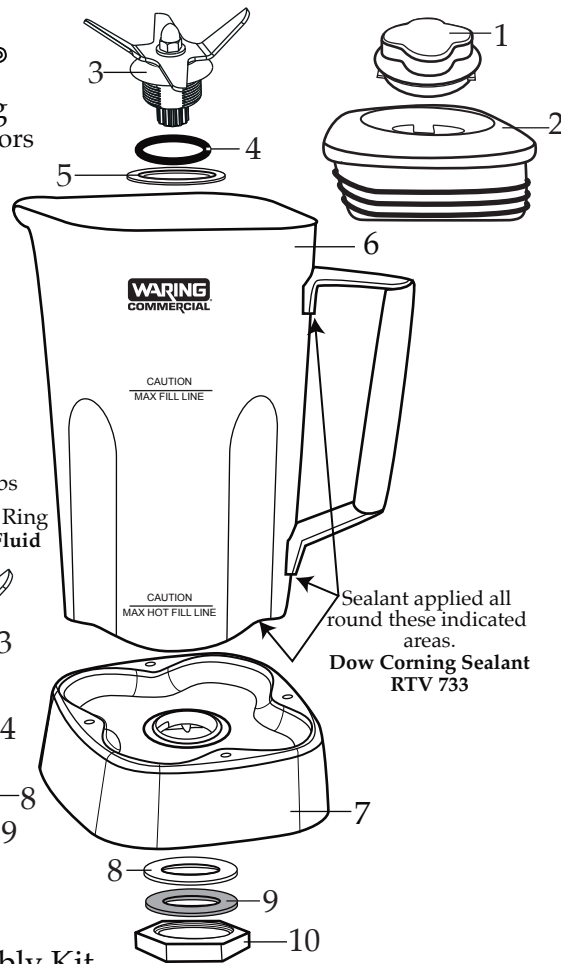
**036743**  
Brush/Spring  
use with Leili motors  
(2 required)

**Notes:**  
Torque 100-125 in/lbs  
Lubricant applied to O Ring  
Dow Corning 200 (R) Fluid

**032483**  
Blending Assembly Kit

**503346**  
Stainless Steel Container with  
Blending Assembly

**032761**  
MX Jar Wrench  
(optional)



Sealant applied all  
round these indicated  
areas.  
**Dow Corning Sealant  
RTV 733**



Date Code Location  
YY|MM|DD  
year year|month month|day day



**Catalog**  
 MX1200XTEKS  
 MX1200XTSEKS

**Model**  
 MX1200XT31CK  
 MX1200XT32CK



<b>Illustration#</b>	<b>Part#</b>	<b>Description</b>
1	028769-E	Jar Lid Cover
2	028768	Vinyl Jar Lid
3	503566	Blade Assembly
4	024271	O Ring
5	026798	Support Washer
6	026648	64 oz. Stainless Steel Container
7	026649	Container Support
8	026797	Bearing Holder Gasket
9	026796	Bearing Holder Washer
10	026795	Stainless Steel Jar Bearing Holder Nut
11	503601	Sq. Drive Coupling with Adapter <i>(on units after 3/29/2022)</i>
	503604	Sq. Drive Coupling with Adapter 2 Gen. <i>(changed after 6/1/2021)</i>
	028538	Drive Coupling
12	026442	Jar Pad
13	035399	Leili Motor with Sensor
14	038278	Dampening Plate Gasket <i>(on units after 8/25/2022)</i>
	026437	Dampening Plate Gasket
15	503382-K-67	MX Housings, Ferrite Core & Cord
16	028541	Motor Foam (2 required)
17	026439	Dampening Plate Bushing (4 required)
18	038486	Dampening Plate Sleeve (4 required <i>on units after 8/25/2022</i> )
	026453	Dampening Plate Sleeve (4 required)
19	026459	Washer (2 required)
20	028929	Sems (4 required)
21	036401	Control Panel with Interlock (XPrep) comes with switches-key board-main board-filter board
22	028248	Top Housing Foam Rear Baffle
23	028249	Top Housing Foam Front Baffle
24	<i>Motor Housing is Included with Illustration# 15</i>	
25	034900	PCB Cushion (4 required <i>on units after 7/18/2019</i> )
26	037232	Falt Neoprene Washer (2 required <i>on units after 7/18/2019</i> )
27	037007	PCB Mounting Bracket (2 required <i>on units after 7/18/2019</i> )
28	013768	Screw (2 required <i>on units after 7/18/2019</i> )25
29	013731	Cable Tie (3 required)
30	012920	Strain Relief
31	002943	Washer (4 required)
32	<i>Cord is Included with Illustration# 15</i>	
33	028247	Bottom Housing Foam Baffle
34	028542	Foam Baffle

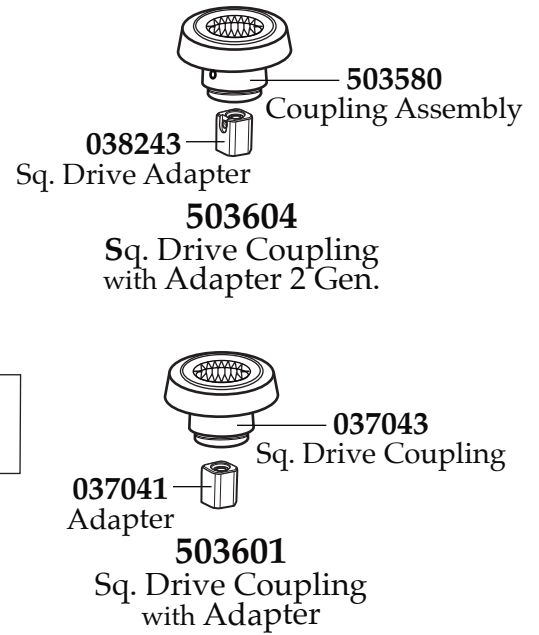
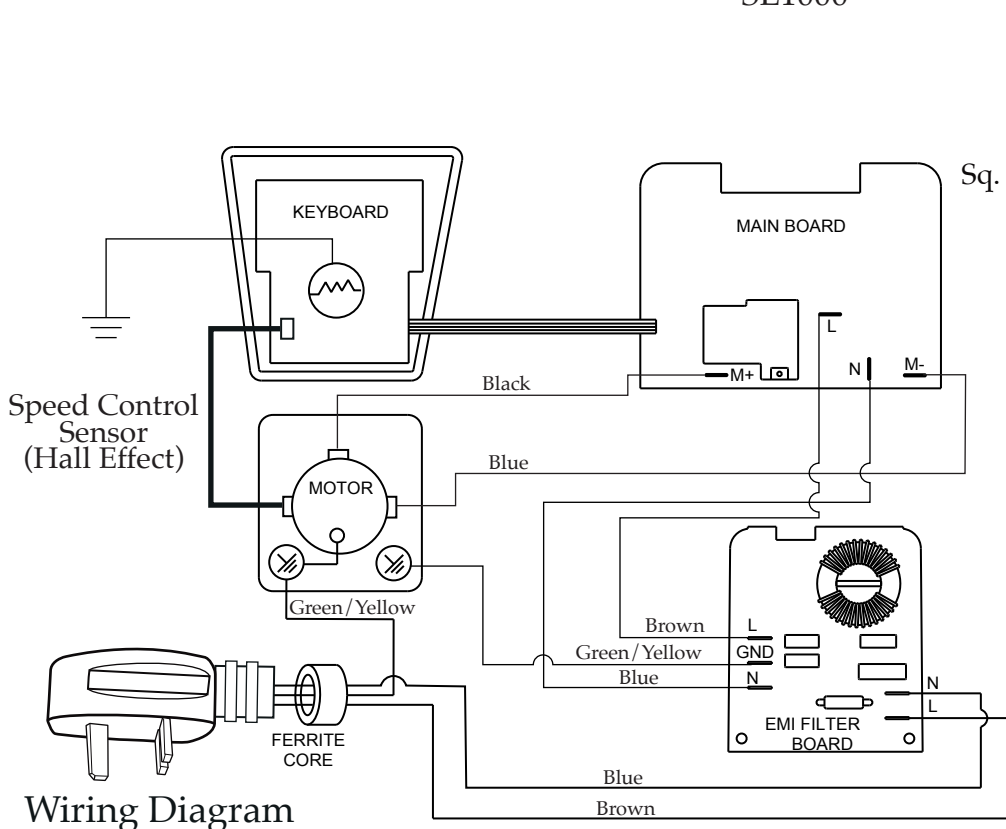
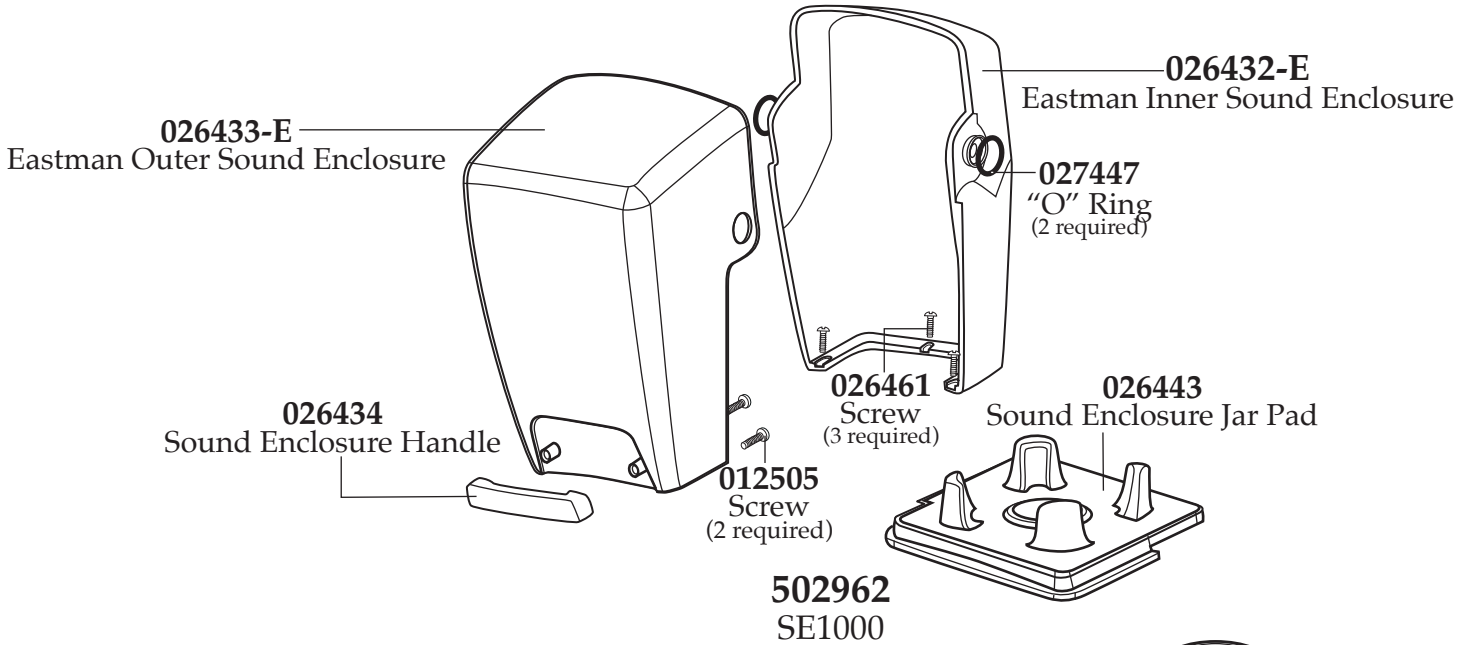
<b>Catalog</b>	<b>Model</b>
MX1200XTEKS	MX1200XT31CK
MX1200XTSEKS	MX1200XT32CK

**Waring Factory Service Center**  
**314 Ella T. Grasso Ave.**  
**Torrington, CT 06790**  
**Tele. 1-800-269-6640**

Fax 860-496-9017  
[www.waringcommercialproducts.com](http://www.waringcommercialproducts.com)

<b>Illustration#</b>	<b>Part#</b>	<b>Description</b>
----------------------	--------------	--------------------

35		<i>Bottom Housing is Included with Illustration# 15</i>
36	012505	Screw (4 required)
37	026430	Corner Post (4 required)
38	028928	Sems (4 required)



**Wiring Diagram**