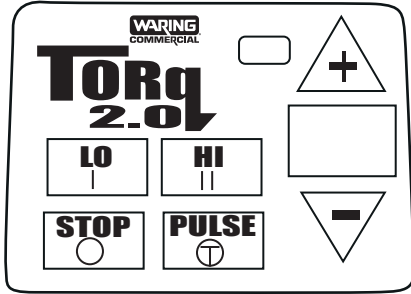


# WARING COMMERCIAL

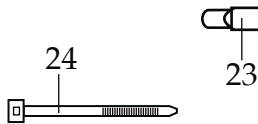
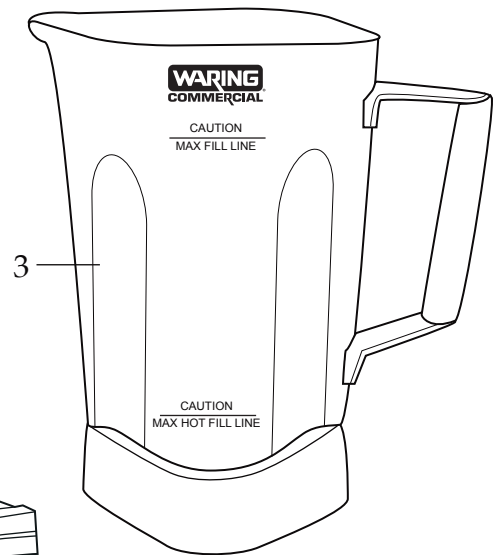
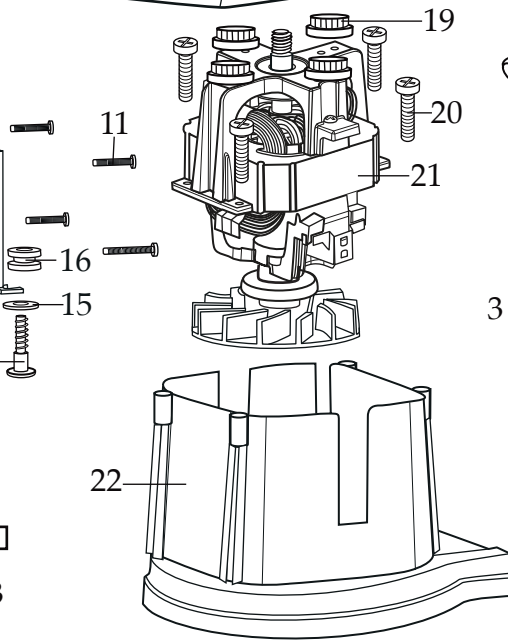
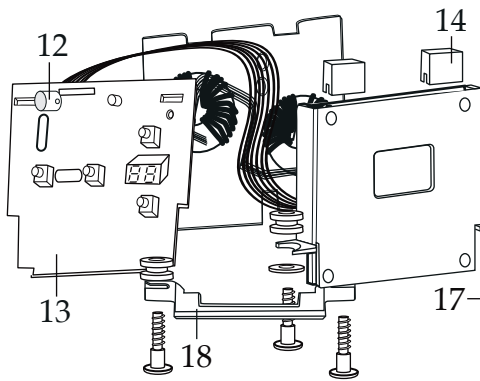
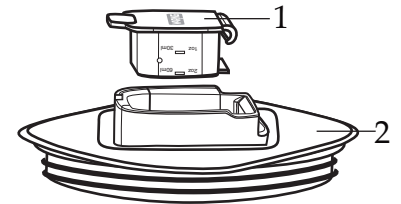
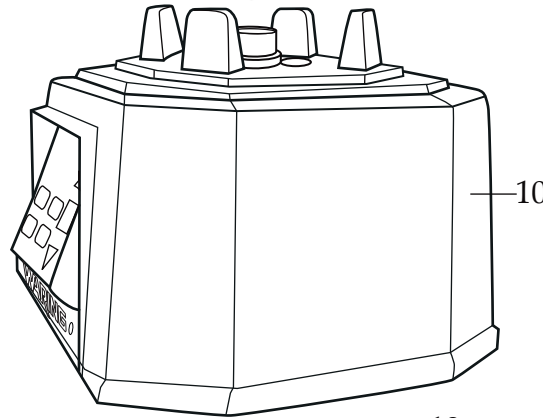
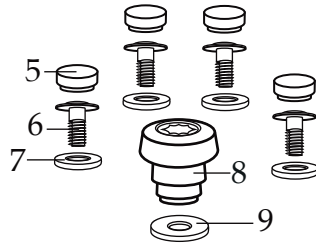
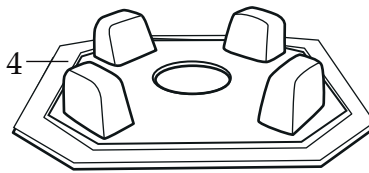
## Europe **TORq** 2.0 Blender

with Electronic Keypad, Timer &  
48 oz. Stainless Steel Container

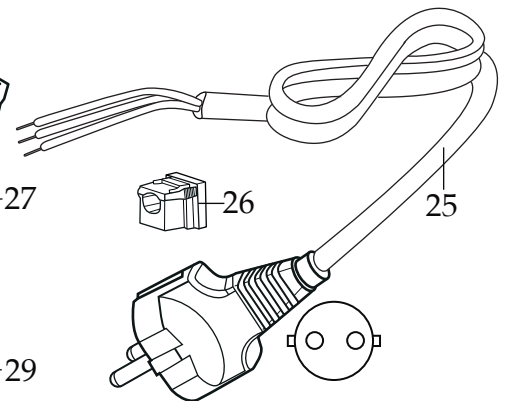
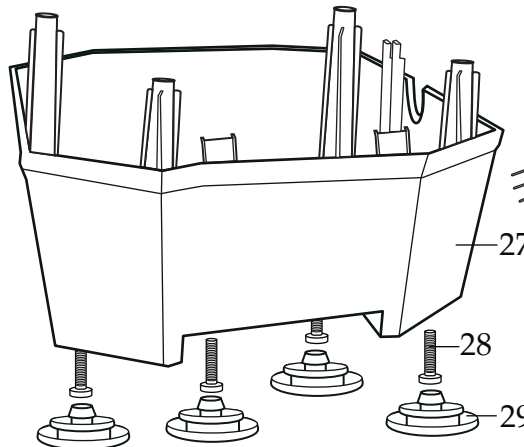
### TBB160S4E



**035872**  
Control Panel Overlay



Date Code Location  
YY|MM|DD  
year|year|month|month|day|day



Illustration#	Part#	Description
1	035153	Eastman Jar Lid Cover
2	036319-V	Vinyl Jar Cover
3	036320 503515	48 oz. Stainless Steel Container ONLY 48 oz. Stainless Steel Container Complete with Blending Assembly
4	035885	Jar Pad
5	035085	Hole Plug (4 required)
6	034275	Sems (4 required)
7	034273	B Gasket (4 required)
8	037034	Drive Coupling
9	037033	Coupling Washer
10	503460-160-E	Top Housing Assembly
11	035090	Screw (4 required)
12	035253	LED Lens
13	035165	Control Panel
14	034900	PCB Cushion (4 required)
15	013604	Washer (4 required)
16	034904	Rubber Grommet (4 required)
17	034902	Sems (4 required)
18	035894	Control Board Bracket
19	034272	A Gasket (4 required)
20	034274	Screw (4 required)
21	035816	Chiaphua Motot No Sensor
22	503483	Motor Housing with Dampeners
23	012409 019123	Small Crimp Connectors (3 required) Large Crimp Connector (2 required)
24	013731	Cable Ties (8 required)
25	017948	Cordset
26	033619	Strain Relief
27	503480 035079	Bottom Housing with Feet Bottom Housing
28	034274	Screw (4 required)
29	035088	Foot (4 required)

