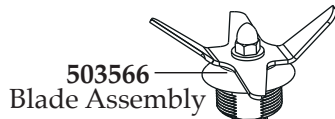


WARING COMMERCIAL®

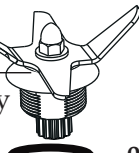
Europe Torq 2.0 Blender

Variable Speed Control with
48 oz. Stainless Steel Container

TBB175S4E



503566
Blade Assembly



024271
O Ring

026798
Stainless Steel Washer
(2 required)



Container

036006
Flat Neoprene Washer
(2 required)

Container Support

026797
Bearing Holder Gasket

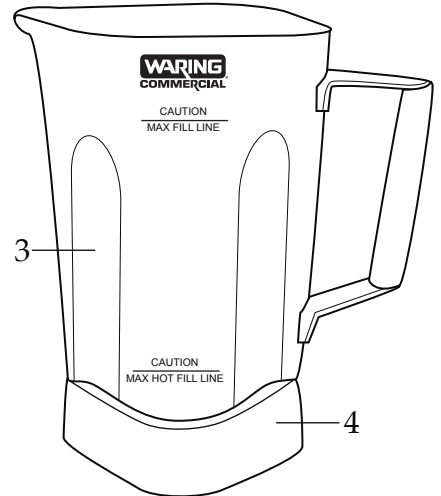
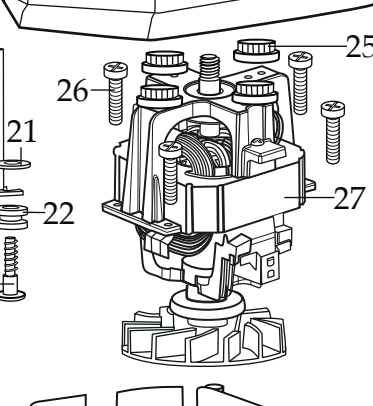
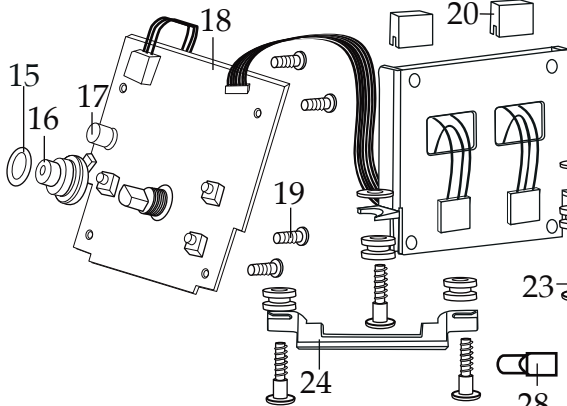
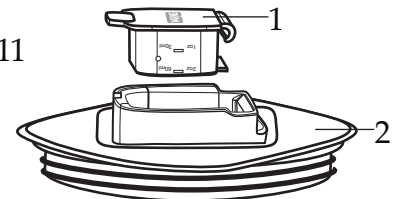
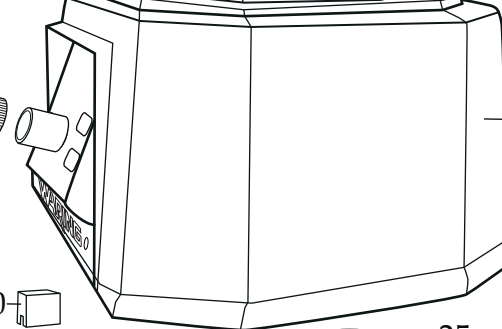
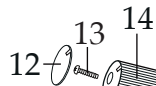
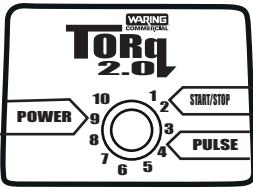


026796
Stainless Steel Washer

026795
Hex Nut

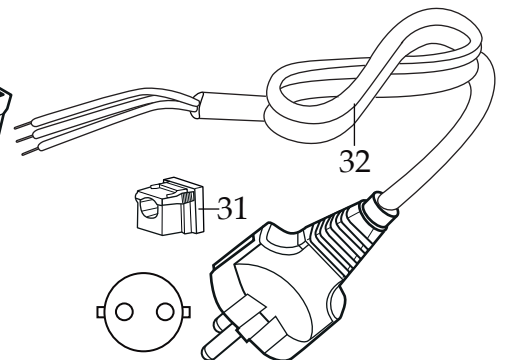
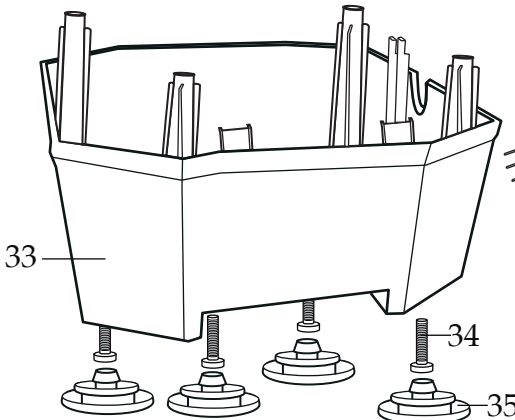
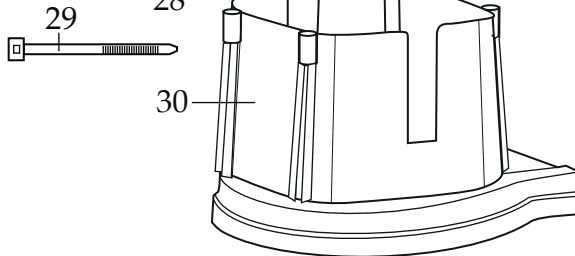
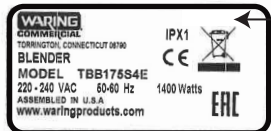


035299
Control Panel Overlay



503515
48 oz. Stainless Steel
Container Complete
with Blending Assembly

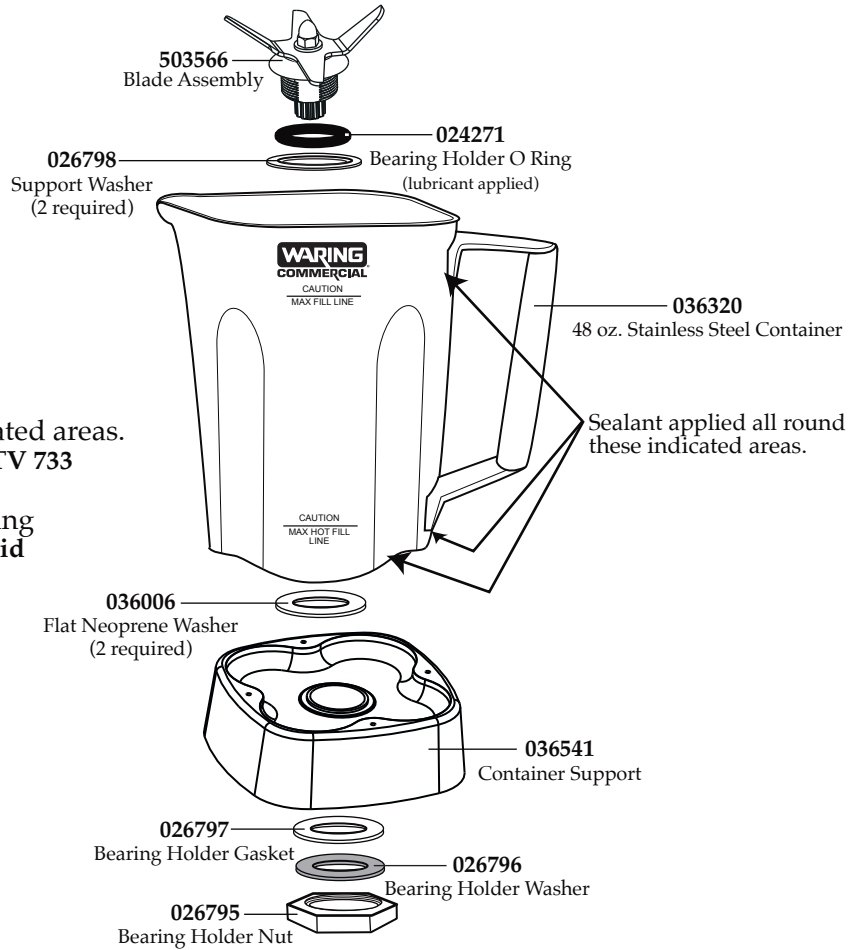
Date Code Location
YY|MM|DD
year year | month month | day day





Illustration#	Part#	Description
1	035153	Eastman Jar Lid Cover
2	036319-V	Vinyl Jar Cover
3	036320	48 oz. Stainless Steel Container ONLY
4	036541	Stainless Steel Container Support
5	035885	Jar Pad
6	035085	Hole Plug (4 required)
7	034275	Sems (4 required)
8	034273	B Gasket (4 required)
9	037034 035251	Drive Coupling (on unit after 11/15/2019) Drive Coupling
10	037033	Coupling Washer (on unit after 11/15/2019)
11	503460-175-E	Top Housing Assembly
12	035757	Knob Cover
13	026267	Screw
14	036498	Speed Control Knob
15	018389	O Ring
16	036499	Speed Control Knob Insert
17	035253	LED Lens
18	035420	Control Panel
19	035090	Screw (4 required)
20	034900	PCB Cushion (2 required)
21	013604	Washer (4 required)
22	034904	Rubber Pad (2 required)
23	034902	Shoulder Screw (4 required)
24	035894	Control Board Bracket
25	034272	A Gasket (4 required)
26	034274	Screw (4 required)
27	035817	Chiaphua Motor
28	012409	Small Crimp Connectors (6 required)
29	013731	Cable Ties (6 required)
30	503483	Motor Housing with Dampeners
31	033619	Strain Relief
32	017948	Cordset

Illustration#	Part#	Description
33	035079 503480	Bottom Housing ONLY Bottom Housing with Feet
34	034274	Screw (4 required)
35	035088	Foot (4 required)



Notes:

Torque 100-125 in/lbs

Sealant applied all around indicated areas.
Dow Corning Sealant RTV 733

Lubricant applied to O Ring
Dow Corning 200 (R) Fluid

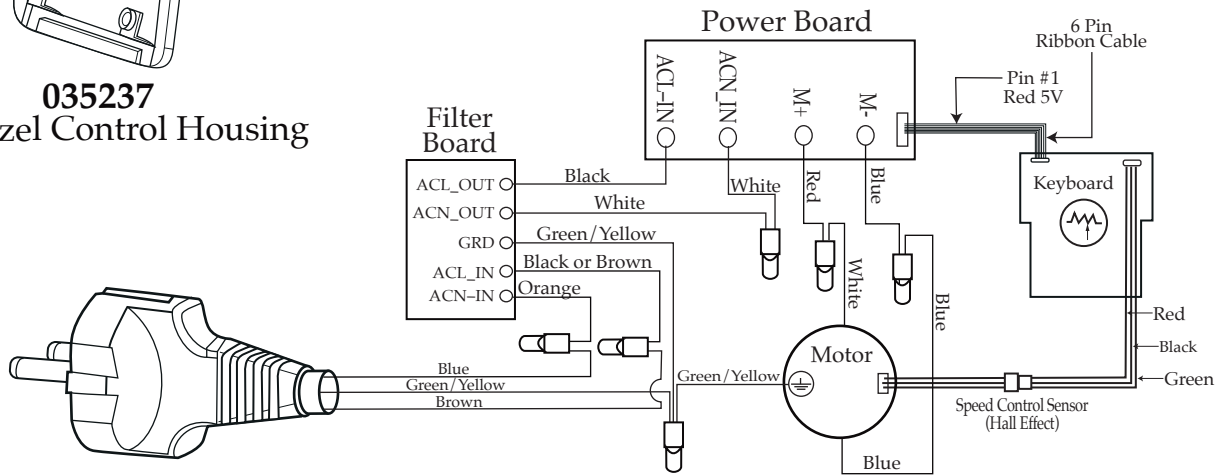
Part No Longer Used

(last used on 5/22/2019)



035237

Back Bezel Control Housing



Wiring Diagram