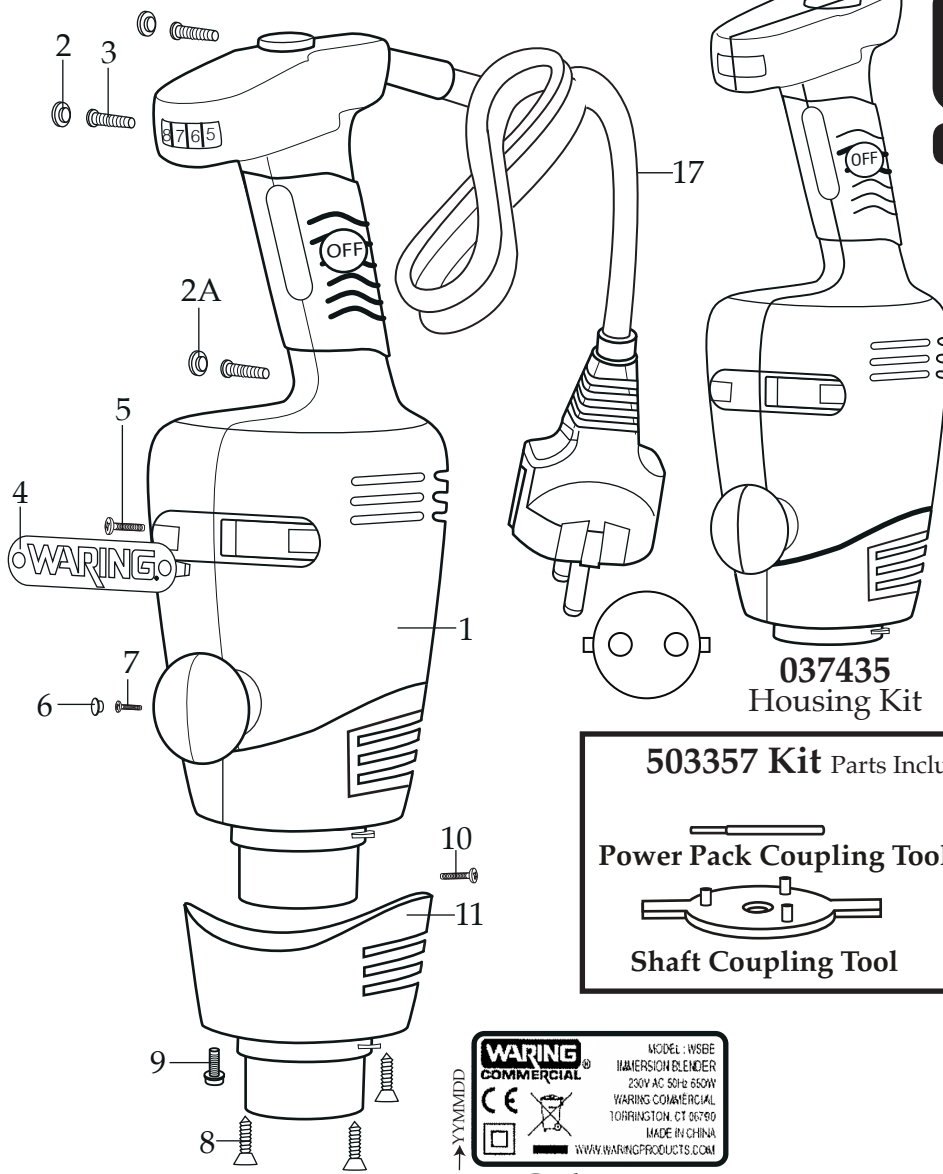




Europe Immersion Blenders

- WSB50E** 12" shaft
- WSB55E** 14" shaft
- WSB60E** 16" shaft
- WSB65E** 18" shaft
- WSB70E** 21" shaft



037435
Housing Kit

503357 Kit Parts Included *(part changed in 2007)*

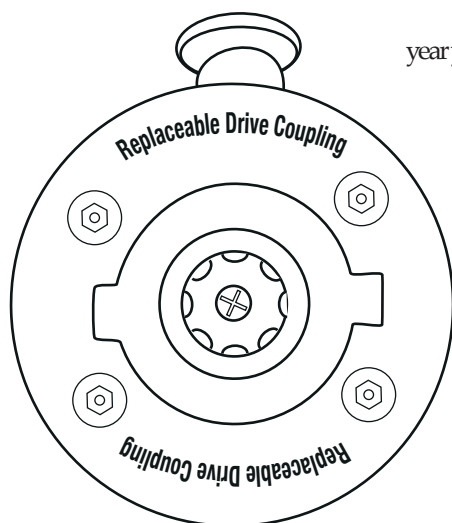
Power Pack Coupling Tool

Shaft Coupling Tool

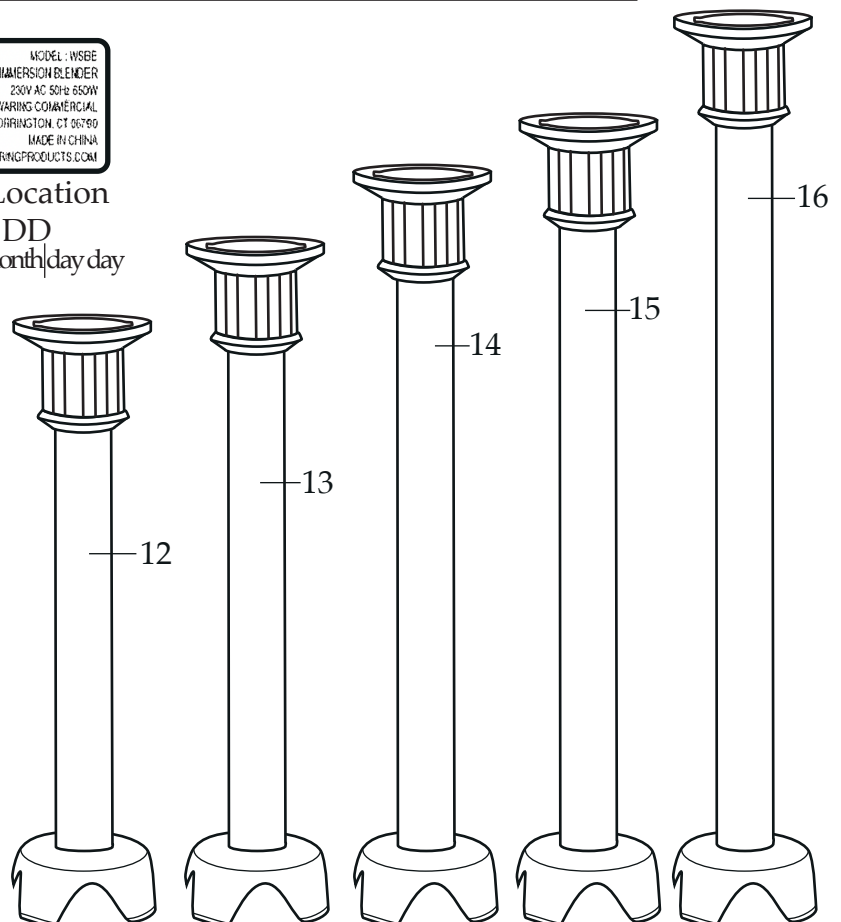
(current) (old style)



Date Code Location
YY|MM|DD
year|year|month|month|day|day

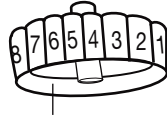


To use the 503357 kit the bottom of your Power Pack must look like this.

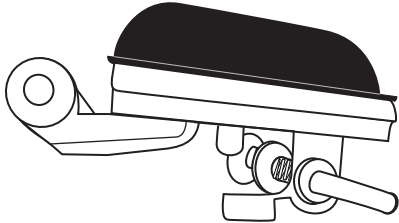


Catalog/Model

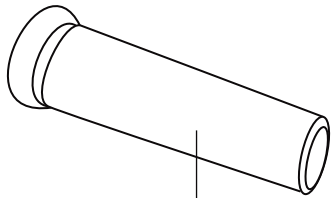
WSB50E
WSB55E
WSB60E
WSB65E
WSB70E



032650
Speed Control Knob



038173 - Trigger Assembly



037922 - Cord Bushing



038174 - Button Assembly

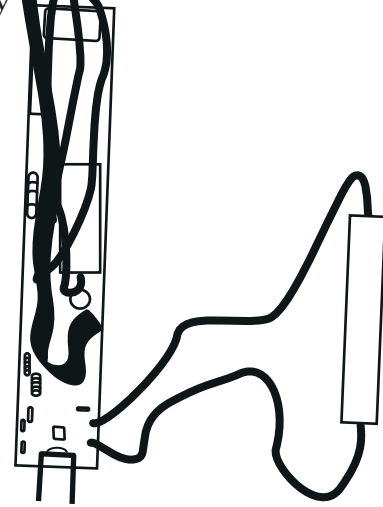


503281
PCB Board Assembly

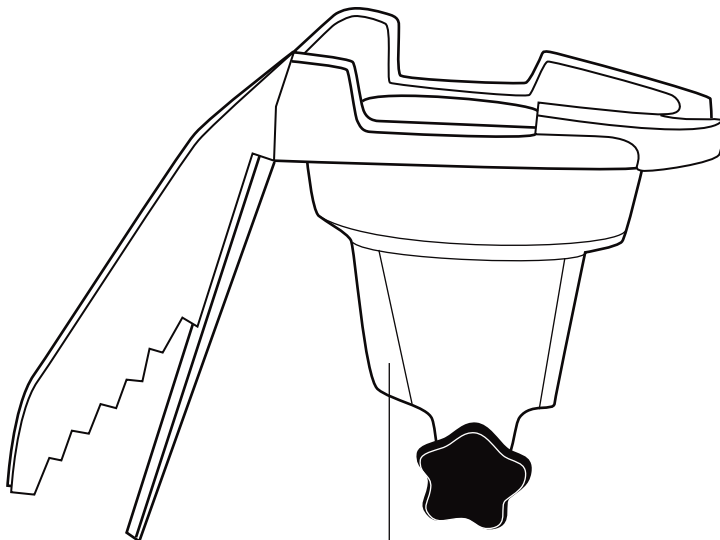
Waring Factory Service Center
314 Ella T. Grasso Ave.
Torrington, CT 06790
Tele. 1-800-269-6640

Fax 860-496-9017
www.waringcommercialproducts.com

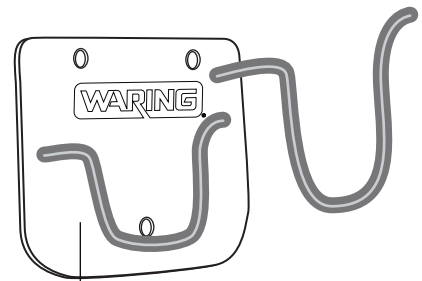
**WSB50E-WSB70E Internal and
Optional Components**



033666 - Cord Clamp
033654 - Screws (2 required)



033017 (WSB01)
Wall Hanger



033016 (WSBBC)
Bowl Clamp

Catalog/Model

WSB50E
WSB55E
WSB60E
WSB65E
WSB70E



Illustration#	Part#	Description
1	032610	WSBPPE Power Pack
2	029839	Hole Plug (2 required)
2A	029905	Hole Plug
3	029840	Screw (3 required)
4	029841	Name Plate Panel
5	029842	Screw
6	029843	Hole Plug
7	029844	Screw
8	029845	Screw (3 required)
9	029846	Screw
10	029844	Screw
11	030440	Housing Cover
12	502956	12" Shaft Assembly with Blade
13	502957	14" Shaft Assembly with Blade
14	502958	16" Shaft Assembly with Blade
15	503002	18" Shaft Assembly with Blade
16	503003	21" Shaft Assembly with Blade
17	035896	Cord