

# WARING COMMERCIAL

Europe Immersion Blenders

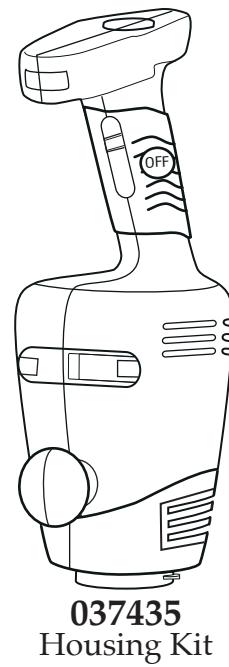
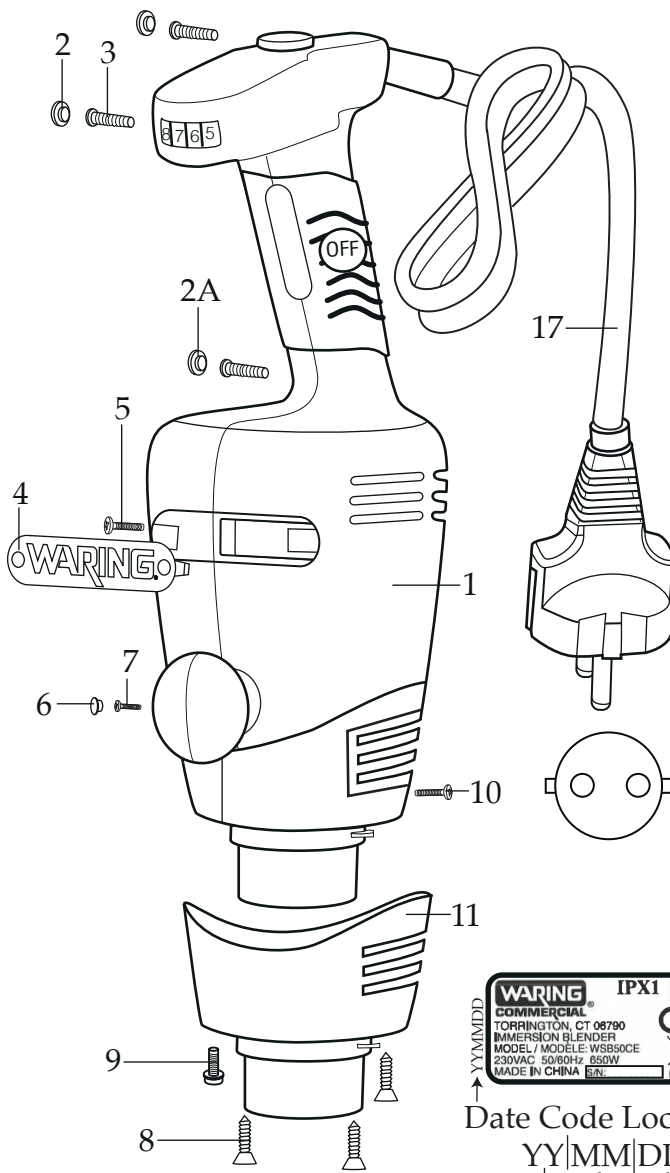
**WSB50CE** 12" shaft

**WSB55CE** 14" shaft

**WSB60CE** 16" shaft

**WSB65CE** 18" shaft

**WSB70CE** 21" shaft



**503357 Kit** Parts Included *(part changed in 2007)*

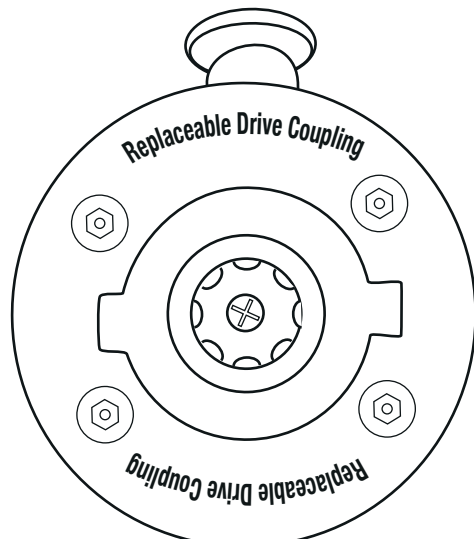
**Power Pack Coupling Tool**

**Shaft Coupling Tool**

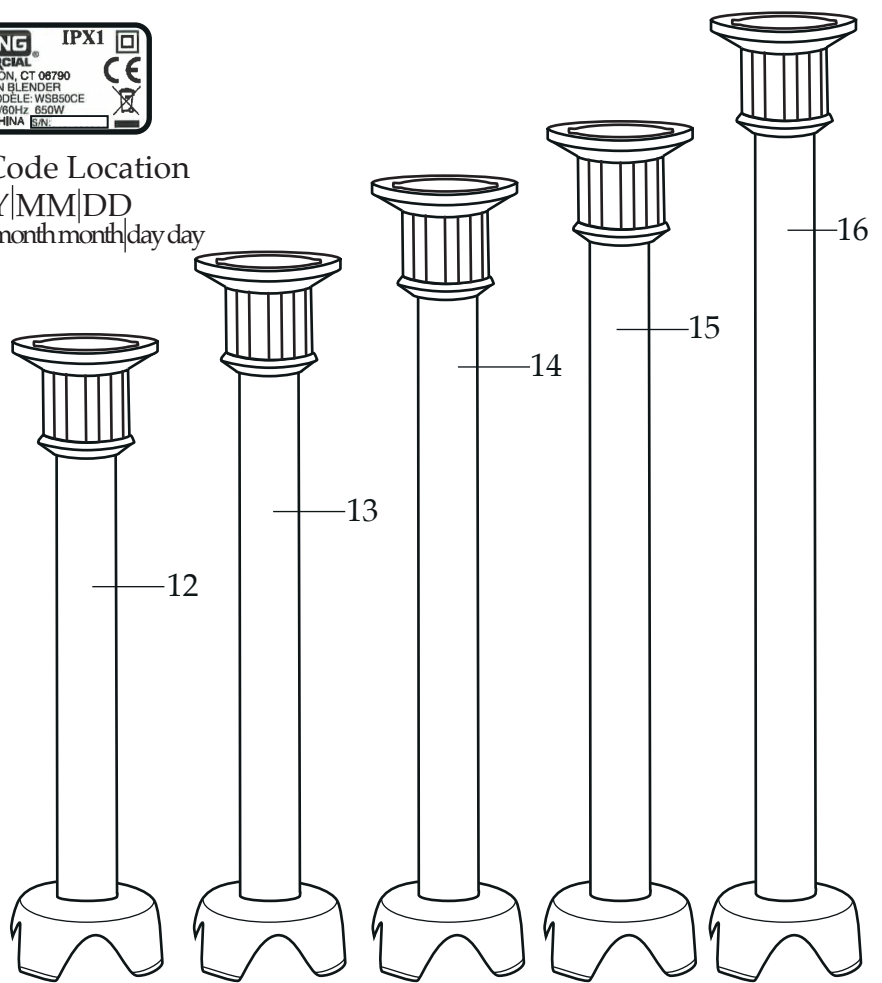
*(current)* *(old style)*



Date Code Location  
YY|MM|DD  
year year | month month | day day



To use the 503357 kit the bottom of your Power Pack must look like this.



**Catalog/Model**

WSB50CE  
WSB55CE  
WSB60CE  
WSB65CE  
WSB70CE

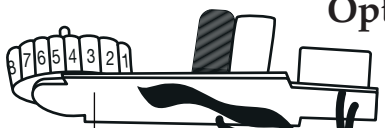
**Waring Factory Service Center**  
314 Ella T. Grasso Ave.  
Torrington, CT 06790  
Tele. 1-800-269-6640

**WARING**  
COMMERCIAL<sup>®</sup>  
Fax 860-496-9017  
www.waringcommercialproducts.com

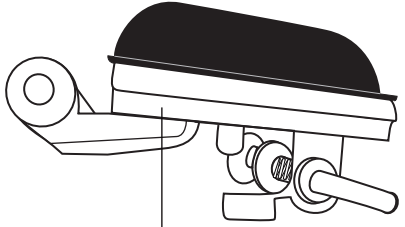


**032650**  
Speed Control Knob

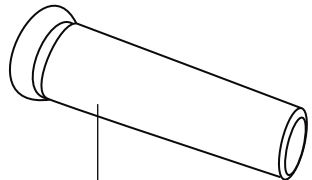
**WSB50CE-WSB70CE Internal and Optional Components**



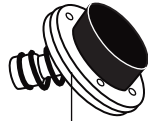
**503281**  
PCB Board Assembly



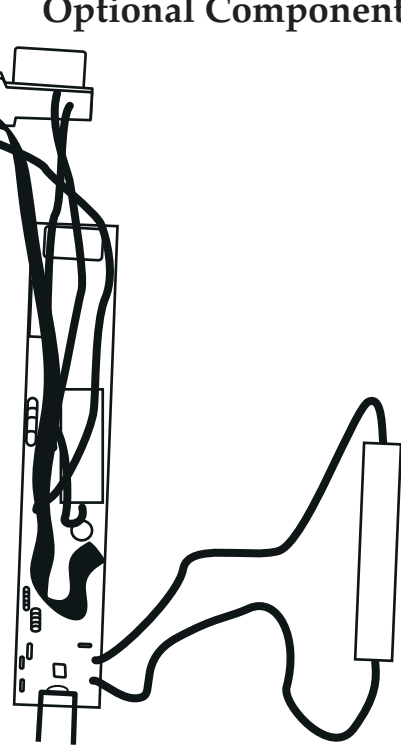
**038173** - Trigger Assembly



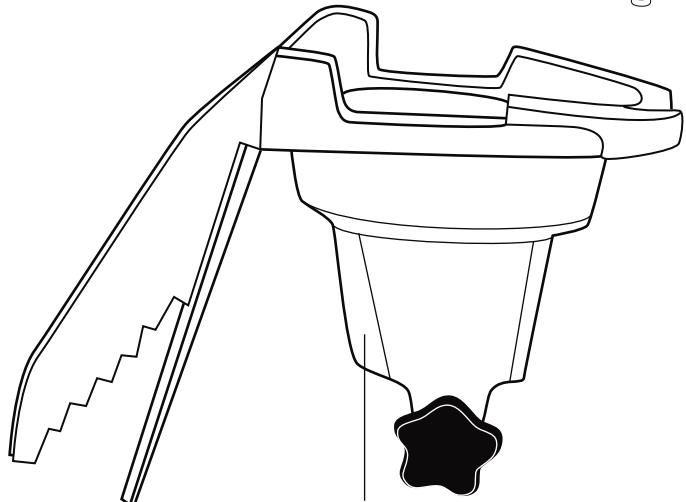
**037922** - Cord Bushing



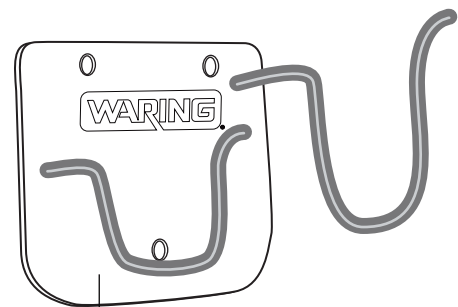
**038174** - Button Assembly



**033666** - Cord Clamp      **033654** - Screws (2 required)



**WSBBC - 033016**  
Bowl Clamp



**WSB01 - 033017**  
Wall Hanger

## Catalog/Model

WSB50CE  
WSB55CE  
WSB60CE  
WSB65CE  
WSB70CE



<b>Illustration#</b>	<b>Part#</b>	<b>Description</b>
1	036313	WSBPPCE Power Pack
2	029839	Hole Plug (2 required)
2A	029905	Hole Plug
3	029840	Screw (3 required)
4	029841	Name Plate Panel
5	029842	Screw
6	029843	Hole Plug
7	029844	Screw
8	029845	Screw (3 required)
9	029846	Screw
10	029844	Screw
11	030440	Housing Cover
12	502956	12" Shaft Assembly with Blade
13	502957	14" Shaft Assembly with Blade
14	502958	16" Shaft Assembly with Blade
15	503002	18" Shaft Assembly with Blade
16	503003	21" Shaft Assembly with Blade
17	035896	Cord