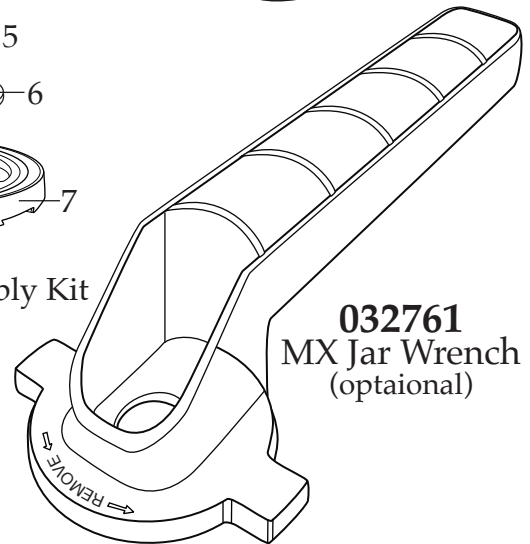
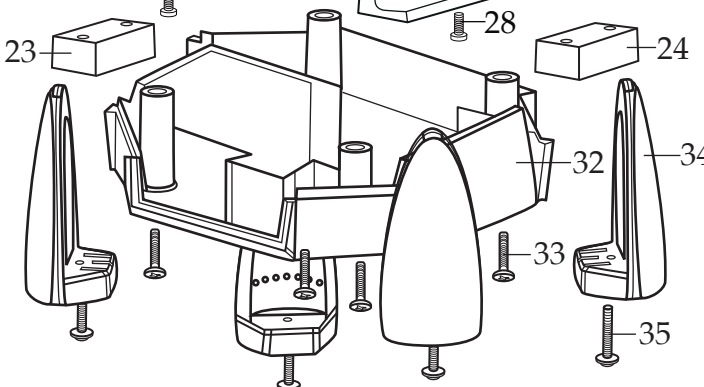
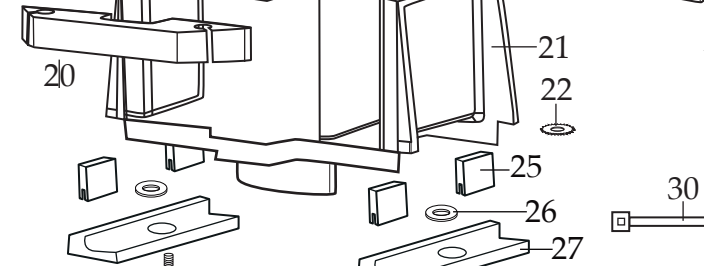
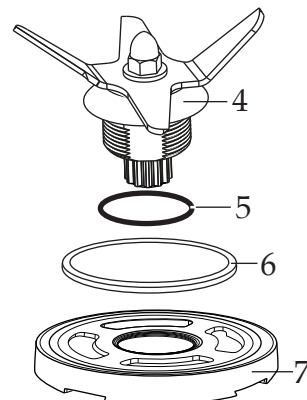
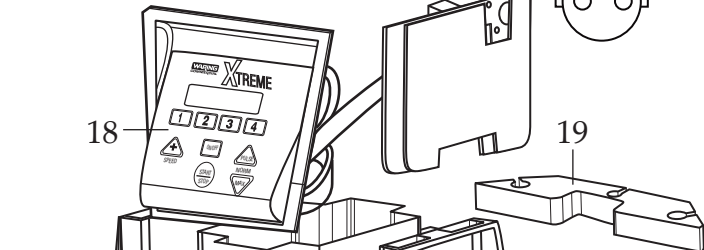
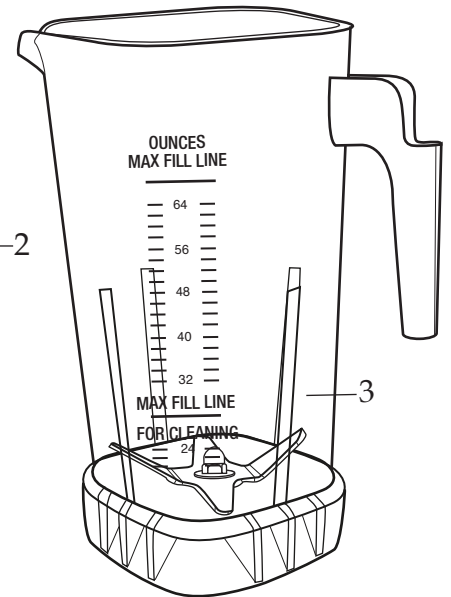
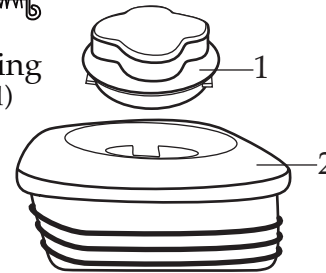
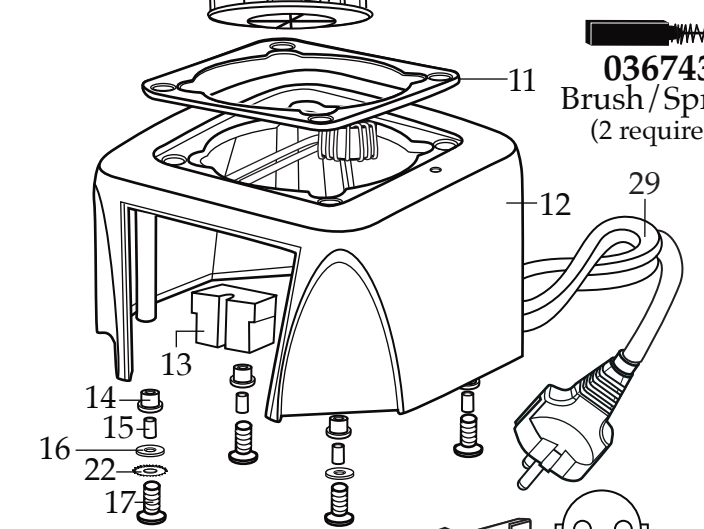
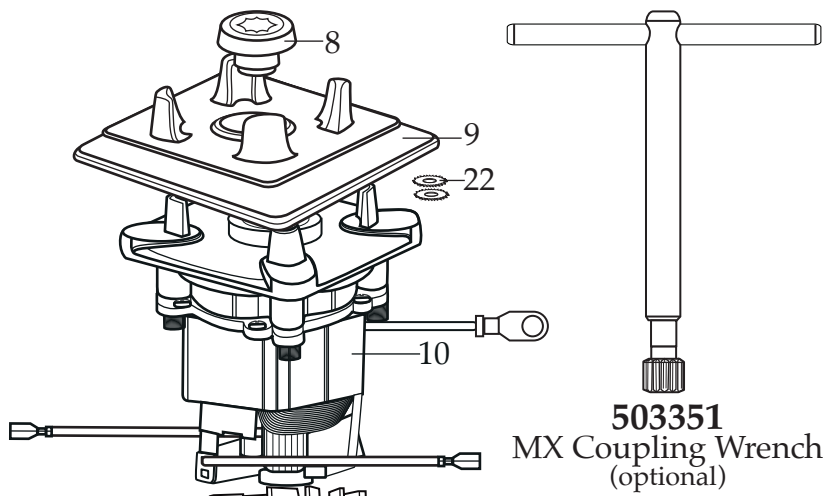


# WARING COMMERCIAL®

Europe Xtreme Blender with  
4 Reprogrammable Beverage Stations  
and a 64 oz. Stackable Raptor Container

## MX1300XTXEE MX1500TXSEE

with Sound Enclosure



Date Code Location  
YY|MM|DD  
year year|month month|day day

**Catalog**  
MX1300XTXEE  
MX1500XTXSEE

**Model**  
MX1300XT11CE  
MX1500XT12CE

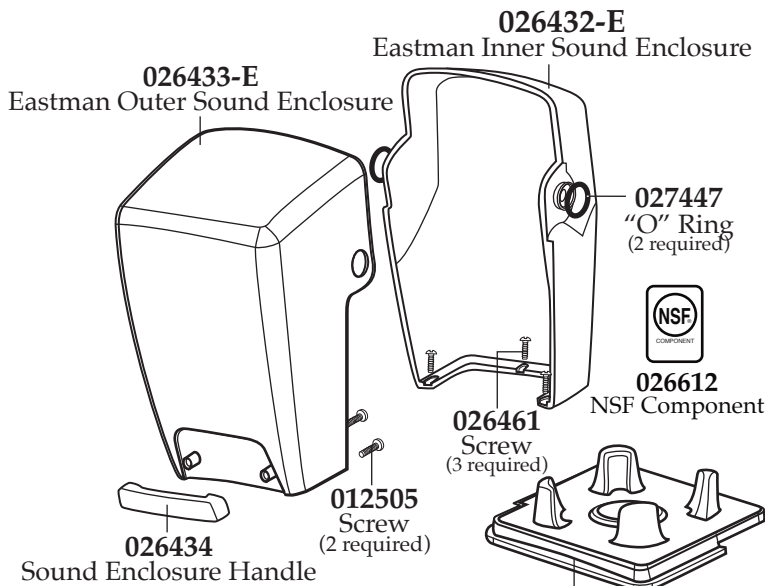
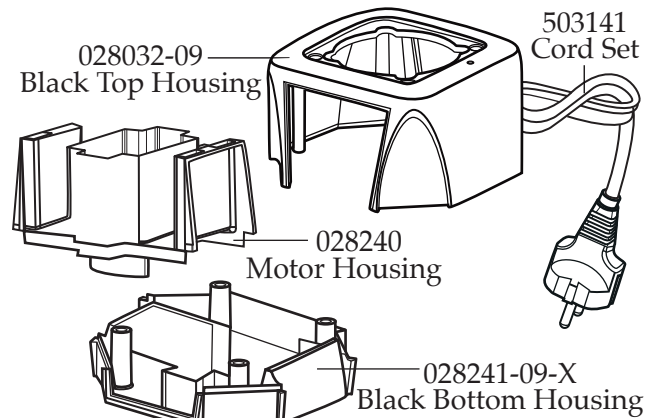


<b>Illustration#</b>	<b>Part#</b>	<b>Description</b>
1	028769-E	Eastman Jar Lid Cover <i>(changed after 10/8/2010)</i>
2	028768	Jar Lid
3	503326	64 oz Stackable Container ONLY
	503398	64 oz Stackable Container with Blending Assembly <i>(on units after 2/25/2011)</i>
	503326	64 oz Stackable Container ONLY
	503350	64 oz Stackable Container with Blending Assembly
4	503397	Blade Assembly <i>(changed after 2/25/2011)</i>
5	024271	Bearing Holder O Ring
6	024268	Rubber Nut Gasket
7	029631	Bearing Holder Nut
8	503601	Sq. Drive Coupling with Adapter <i>(on units after 3/29/2022)</i>
	503604	Sq. Drive Coupling with Adapter 2 Gen. <i>(changed after 5/7/2021 use 503601)</i>
	028538	Drive Coupling
9	026442	Jar Pad
10	035399	Leili Motor with Sensor <i>(on units after 8/25/2017)</i>
	028824	ECM Motor with Sensor <i>(use 035399 with kit 503382-E-67)</i>
11	038278	Dampening Plate Gasket <i>(on units after 8/25/2022)</i>
	026437	Dampening Plate Gasket
12	503382-E-67	MX Housings with Ferrite Core & Cord <i>(on units after 8/25/2017)</i>
	503382-E	MX Housings with Ferrite Core & Cord <i>(on units after 2/1/2013)</i>
13	028541	Motor Foam (2 required)
14	026439	Dampening Plate Bushing (4 required)
15	038486	Dampening Plate Sleeve (4 required <i>on units after 8/25/2022</i> )
	026453	Dampening Plate Sleeve (4 required)
16	026459	Washer (2 required)
17	028929	Sems (4 required)
18	035710	Control Panel with Interlock <i>(changed after 3/27/2018)</i> comes with switches-key board-main board-filter board
	029816	Soft Start Control Panel (use 035710)
19	028248	Top Housing Foam Rear Baffle
20	028249	Top Housing Foam Front Baffle
21		<i>Motor Housing is Included with Illustration# 12</i>
22	002943	Washer (3 required)
23	028247	Bottom Housing Foam Baffle
24	028542	Foam Baffle
25	034900	PCB Cushion (4 required <i>on units after 7/18/2019</i> )
26	037232	Neoprene Washer (2 required <i>on units after 7/18/2019</i> )
27	037007	PCB Mounting Bracket(2 required <i>on units after 7/18/2019</i> )
28	013768	Screw (2 required <i>on units after 7/18/2019</i> )
29		<i>Cord is Included with Illustration# 12</i>
30	013731	Cable Tie (3 required)

Illustration#	Part#	Description
31	007556	Strain Relief (on units after 6/22/2018)
	035384	Strain Relief (on units after 3/31/2016)
	007556	Strain Relief
32	<i>Bottom Housing is Included with Illustration# 12</i>	
33	012505	Screw (4 required)
34	026430	Corner Post (4 required)
35	028928	Sems (4 required)

### Parts No Longer Used

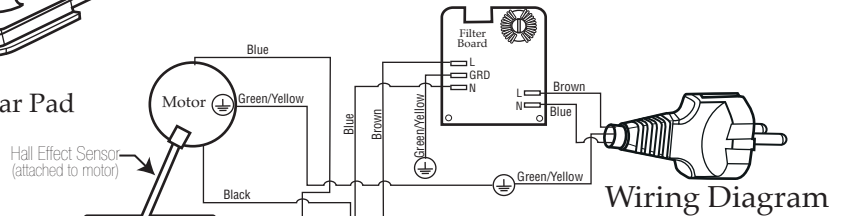
(Last used on 2/1/2013)



**502962**  
SE1000

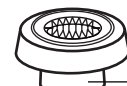


**033484**  
Brush/Spring  
(2 required for 028824 motor)



**503580**  
Coupling Assembly

**038243**  
Sq. Drive Adapter  
**503604**  
Sq. Drive Coupling with Adapter 2 Gen.



**037043**  
Sq. Drive Coupling

**037041**  
Adapter  
**503601**  
Sq. Drive Coupling with Adapter

