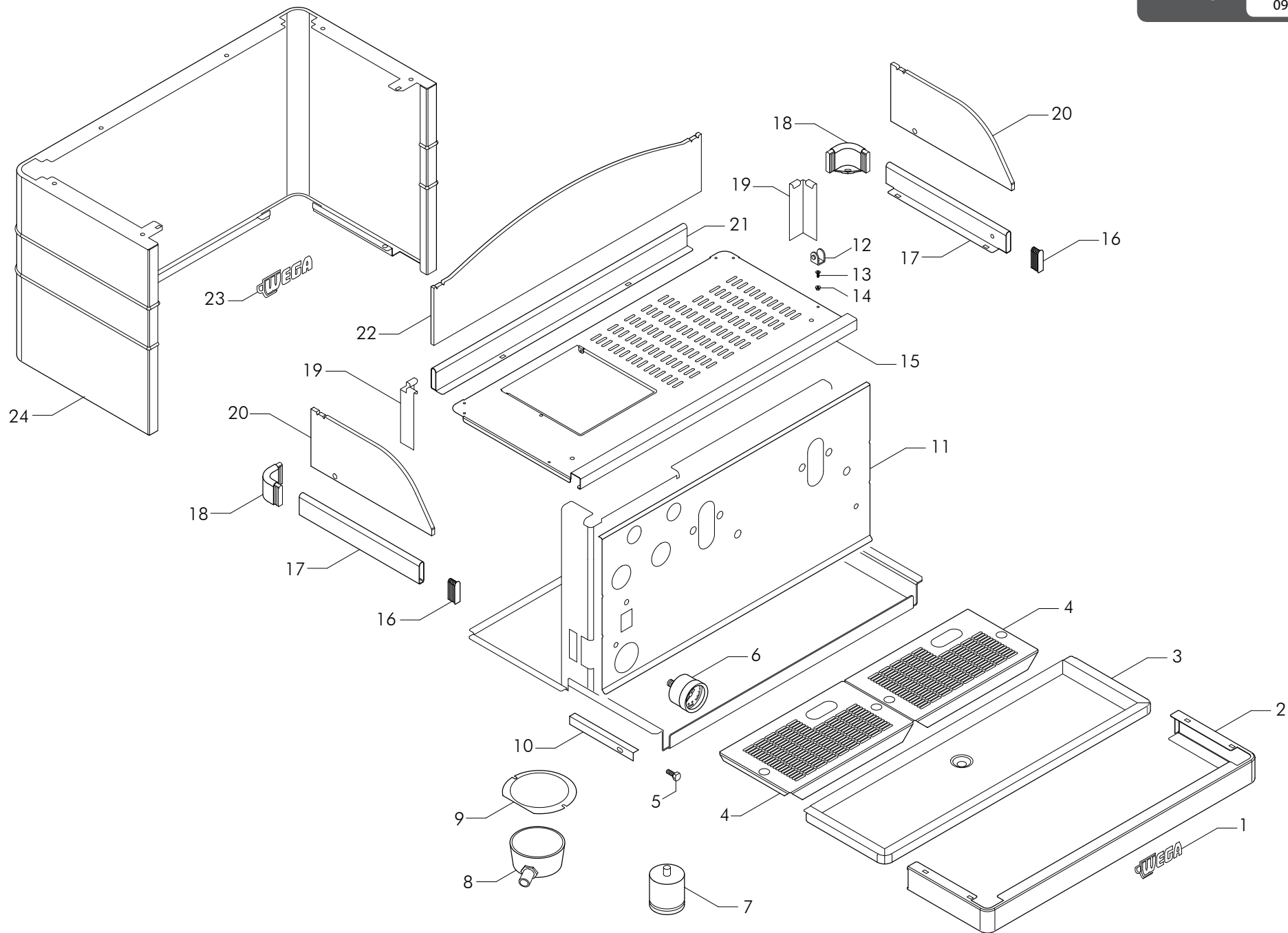


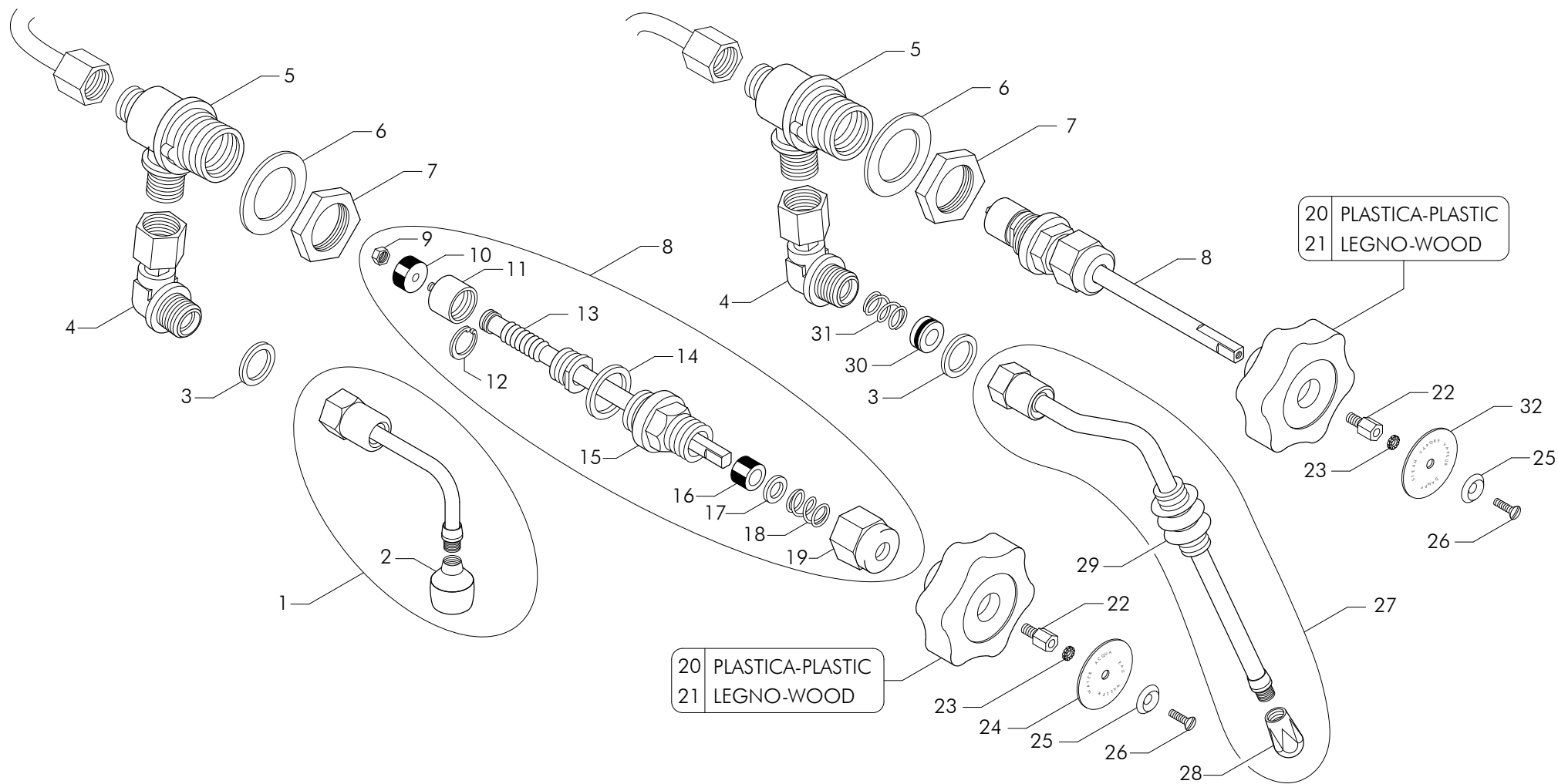
MININOVA 2GR EMA

Parti di ricambio - Spare parts - Pieces detachees - Ersatzteilkatalog

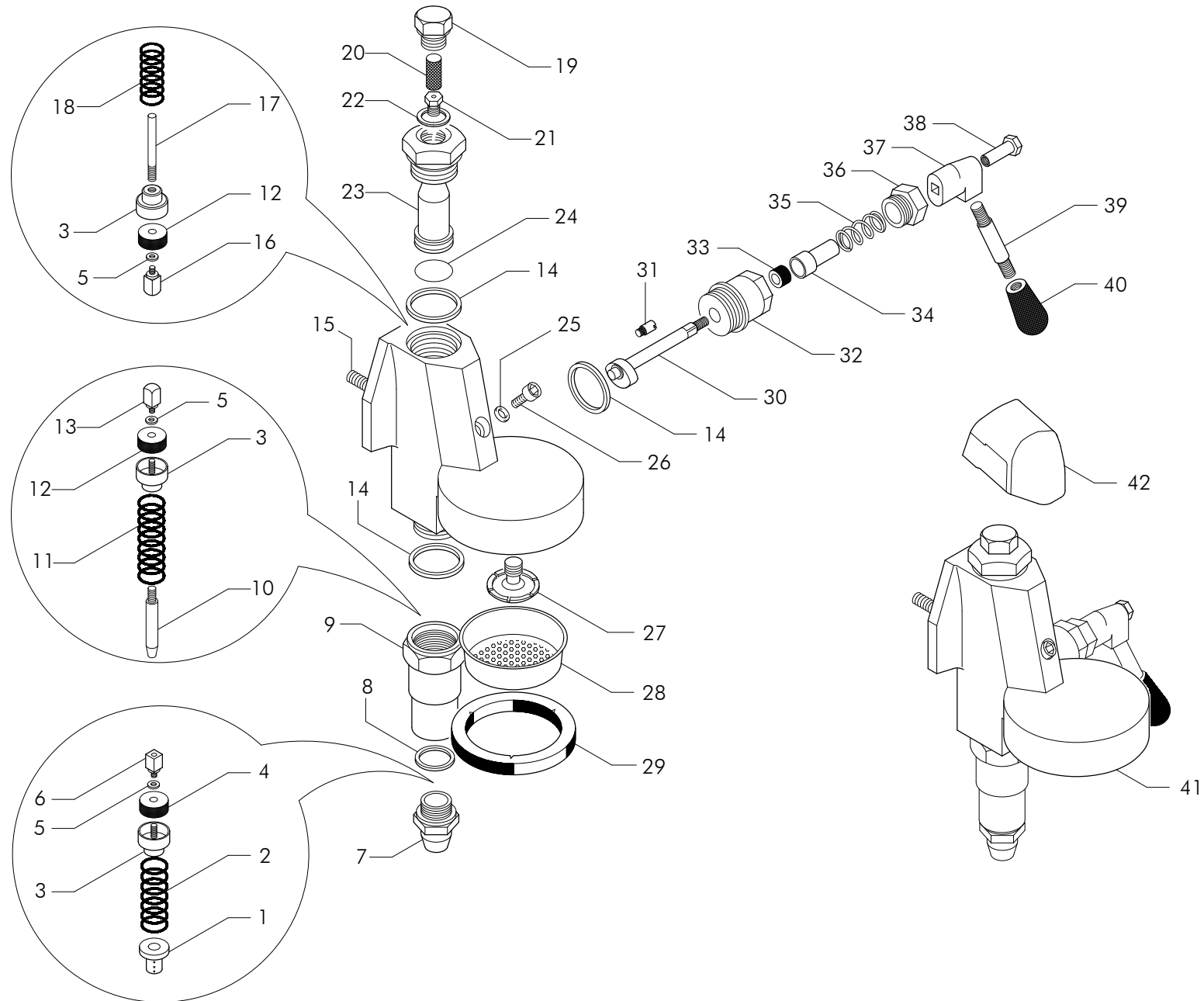
Tav.		Pag.	Rev.	Data
MN2 - 01	Carrozzeria - Body parts - Carrosserie - Karosserie	2	02	09/2017
MN2 - 21	Tubetti Acqua/Vapore - Taps Water/Steam - Robinets Eau/Vapeur - Wasserhahn/Dampfhahn	4	02	09/2017
	Gruppo - Group - Groupe - Gruppe			
MN2 - 31	EMA Plastica - EMA Plastic - EMA Plastique - EMA Kunststoff	6	01	11/2016
MN2 - 32	EMA Legno - EMA Wood - EMA Bois - EMA Holz	9	00	11/2016
MN2 - 41	Caldaia - Boiler - Chaudiere - Kessel	12	03	05/2019
MN2 - 51	Impianti idraulici - Hydraulic circuits - Circuits hydrauliques - Wasser anlage	14	02	09/2017
MN2 - 52	Contentitore acqua - Water tray - Cuve eau - Wasserbehalter	17	01	06/2017
MN2 - 61	Impianti elettrici - Electrical systems - Circuits electriques - Strom anlage	19	01	11/2015
MN2 - 71	Filtri e portafiltri - Filters & filters holder - Filtres et porta filtres - Filter und filterhalter	21	01	05/2017



Pos	Cod.	Denominazione - IT -	Denomination - GB -	Denomination - FR -	Denomination - DE -
1	WY29089399	ETICHETTA WEGA ROSSA 32x86	ADHESIVE LABEL WEGA RED 32X86	ETIQUETTE ADHESIVE	KLEBEETIKETT
2	WY77235002	PROFILO BASAMENTO MINI WX/2GR EMA	BASE SURROUND MINI WX/2GR EMA	PROFILS BASE MINI WX/2GR EMA	GRUNDPROFIL MINI WX/2GR EMA
3	WY76080113	BACINELLA SCARICO MINI WX/2GR EMA	DRAIN TRAY MINI WX/2GR EMA	BAC DE VIDANGE MINI WX/2GR EMA	TROPFSCHALE MINI WX/2GR EMA
4	WY76339001	GRIGLIA INFERIORE MINI DX-SX WX/2GR EMA	LOWER GRILL RIGHT/LEFT MINI 2GR EMA	GRILLE INF. DROIT/GAUCHE MINI 2GR EMA	STAHL UNTERGITTER MINI 2GR EMA
5	WY23420001	VITE TE BOMBATA M6x12	SCREW M6x12	VIS M6x12	SCHRAUBE M6x12
6	WY4621105	MANOMETRO 2.5 BAR	PRESSURE GAUGE 2.5 BAR 1/8 D44 TUV	MANOMETRE 2.5 BAR 1/8 D44 TUV	MANOMETER 2.5 BAR 1/8 D44 TUV
7	WY15318	PIEDINO REGOLABILE INOX/SAT H55/69	ADJUSTABLE FOOT H55/69	PIED REGLABLE H55/69	REGELBARER FUSS H55/69
8	WY15502	VASCHETTA SCARICO ROTONDA D 80	ROUND DRAIN BASIN D.80mm	CUVE A VIDANGER RONDE D.80mm	RUNDE ABFLUSSCHALE D.80mm
9	WY77799001	FERMO VASCHETTA	STEEL CIRCLIP DRAIN BASIN	CIRCLIP CUVE A VIDANGER	HALTENRING ABFLUSSCHALE
10	WY77742100	GUIDA BACINELLA DESTRA-SINISTRA	GUIDE FOR TRAY	GUIDAGE CUVE	FUHRUNG SCHALE
11	WY77876007	COPRICALDAIA MINI WX/2GR EMA	BOILER COVER MINI WX/2GR EMA	COUVRE-CHAUDIERE MINI WX/2GR EMA	KESSELDECKEL MINI WX/2GR EMA
12	WY25006009	REGGIPIANO INOX PLEXIGLASS	SUPPORT S.STEEL PLEXIGLASS	SUPPORT INOX PLEXIGLASS	SUPPORT STAHL PLEXIGLASS
13	WY23564026	VITE TSPEI INOX A2 M3x6 UNI 5933	INOX SCREW A2 M3X6 UNI 5933	VIS TSPEI INOX	STAHLSCHRAUBE TSPEI M3x6
14	WY23023003	DADO M3 INOX	NUT M3 S.STEEL	ECROU M3 INOX	MUTTER M3 STAHL
15	WY77235028	COPERCHIO CARROZZERIA MINI WX/2GR EMA	BODY COVER MINI WX/2GR EMA	CORPS DE COUVERCLE MINI WX/2GR EMA	ABDECKKORPER MINI WX/2GR EMA
16	WY15486012	TAPPO ABS PROFILO FERMA TAZZE	CAP ABS PROFILE STOP CUPS	BOUCHON PROFIL ABS ARRETE TASSES	KAPPE ABS PROFIL HALT
17	WY77235033	PROF.SUP.DX-SX MINI WX/2GR EMA	TOP PROFIL RIGHT/LEFT MININOVA 2GR EMA	TOP PROFIL MININOVA 2GR EMA	TOP PROFIL MININOVA 2GR EMA
18	WY15009	ANGOLARE CENTRALE PLASTICA	PLASTICATED CENTRAL ANGLE	ANGLE CENTRAL PLASTIFIE	ZENTRALES WINKELPROFIL
19	WY74155005	ANGOLARE DX-SX FERMA PLEXIGLASS	ANGULAR STOPS PLEXIGLASS	ANGULAIRE ARRETE PLEXIGLAS	WINKEL STOPPT PLEXIGLAS
20	WY21162090	PLEXIGLASS SUPERIORE DX-SX	TOP PLEXIGLASS RIGHT/LEFT	PLEXIGLAS TOP DROIT/GAUCHE	PLEXIGLAS OBEN LINKS/RECHT
21	WY77235034	PROF.SUP.POST.MINI WX/2GR EMA	BACK TOP PANEL MININOVA 2GR EMA	PANNEAU POST.SUP. MININOVA 2GR EMA	TAFEL AUFBAU HINTEN OBEN
22	WY21162093	PLEXIGLASS SUPERIORE MINI 2GR EMA	TOP PLEXIGLASS MININOVA 2GR EMA	TOP PLEXIGLAS MININOVA 2GR EMA	PLEXIGLAS OBEN MININOVA 2GR EMA
23	WY29089302	TARGH.AD."WEGA" NERA/ROSSA 82x30	ADHESIVE LABEL "WEGA" RED/BLACK 82x30	ETIQUETTE ADHESIVE "WEGA" ROUGE/NOIR	KLEBEETIKETT "WEGA" 82x30
24	WY75700104	PANNELLO CARROZZERIA MINI WX/2GR EMA	BODY PANEL MININOVA 2GR EMA	PANNEAU DE CARROSSERIE MININOVA 2GR EMA	KAROSSERIEBLECH MININOVA 2GR EMA

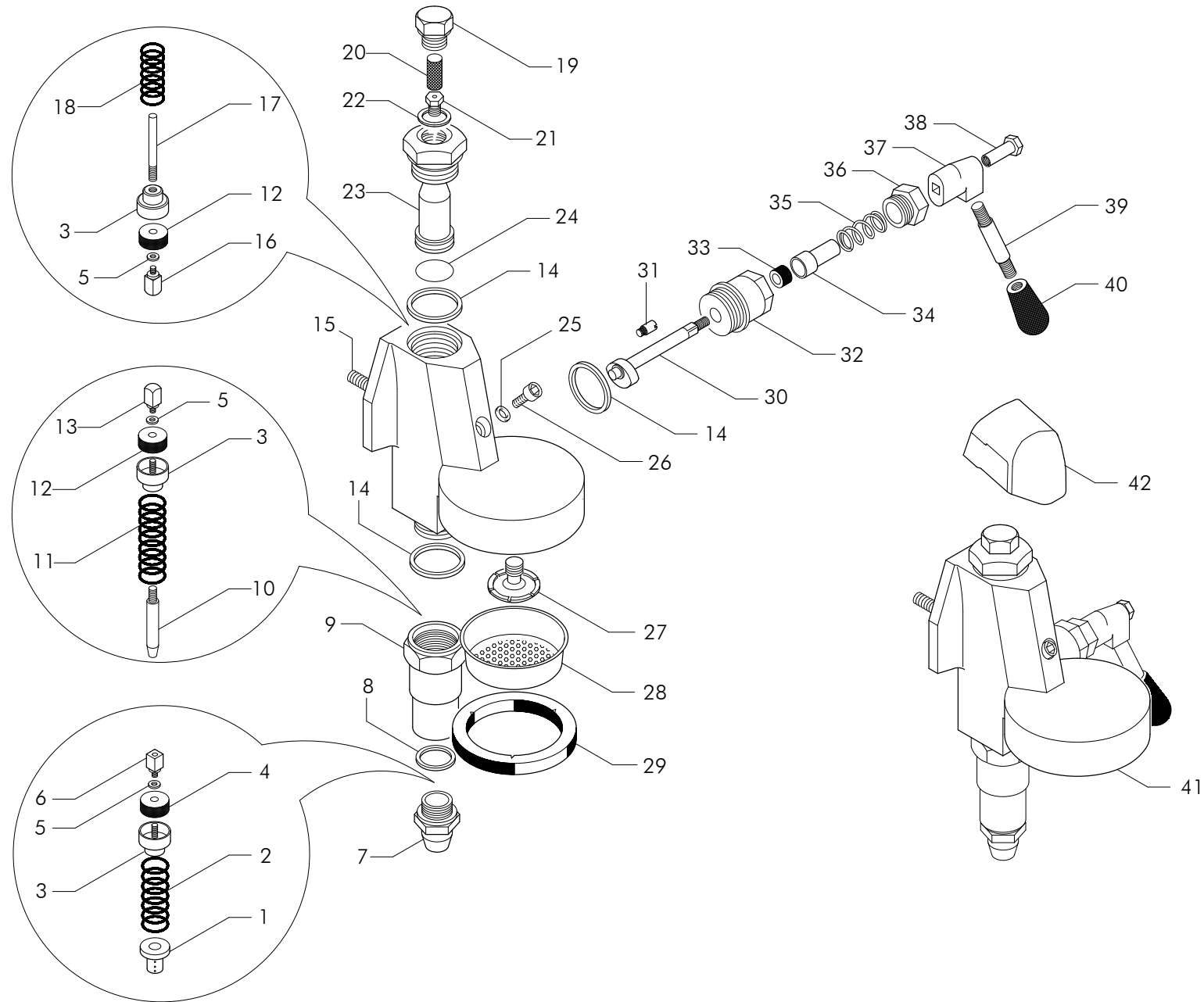


Pos	Cod.	Denominazione - IT -	Denomination - GB -	Denomination - FR -	Denomination - DE -
1	WY25763174	TUBO AISI H20 FISSA MINI WX/2GR GRUPPI SCO	STEEL WATER PIPE	TUYAU EAU INOX	STAHL ROHR WASSER
2	WY25391	DADO CANNA VAP/H2O x MOLLA CROMATO	NUT PIPE WATER/STEAM FOR SPRING	ECROU TUYAU VAPEUR/EAU POUR RESSORT	WASSER/DAMPF ROHRMUTTER FUR FEDER
3	WY12010	GUARNIZIONE TEFLON ACQUA/VAPORE 20x17x2	PIPE GASKET TEFLON 20x17x2	JOINT TUYAU TEFLON EAU/VAP TEFLON	TEFLON-DICHTUNG WASSER/VAP 20x17x2
4	WY25736001	RACC.3/8 RUB>TUBO VAPORE	3/8 FITTING	RACCORD 3/8	ANSCHLUSS 3/8
5	WY53003	CORPO RUBINETTO	TAP BODY	CORPS DE ROBINET	HAHNKORPER
6	WY25658001	RONDELLA OTTONE RUBINETTO CROMATA	CHROME PLATED/BRASS WASHER	RONDELLE LAITON ROBINET CHROMEE	CHROM/MESSING SCHEIBE
7	WY25384001	DADO OTTONE M26x1.5 CROMATO	CHROME PLATED/BRASS NUT M26x1.5	ECROU LAITON CHROMEE M26x1,5	CHROM/MESSING MUTTER M26x1.5
8	WY49561011	ASSIEME RUBINETTO TERMORISERVA	TAP SET FOR BULK UNIT	ENSEMBLE ROBINET THERMO RESERVE	ROHRSATZ FUR BRUHGRUPPE
9	WY23050	DADO OTTONE M3	BRASS NUT M3	ECROU LAITON M3	MESSING-MUTTER M3
10	WY12203	GUARNIZIONE HNBR 15x4x4	RUBBER GASKET 15x4x4	JOINT EN CAOUTCHOUC 15X4X4	GUMMIDICHTUNG 15x4x4
11	WY4925616	PISTONCINO RUBINETTO	TAP JUMPER	PISTON ROBINET	HAHNKOLBEN
12	WY10001	ANELLO ARRESTO D6 INOX	STEEL CIRCLIP	CIRCLIP INOX	STAHLHALTENRING
13	WY25310	ASTA RUBINETTO T.RISERVA CROMATA L.95	CHROMED VALVE SPINDLE FOR BULK UNIT	TIGE ROBINET CRHOME THERMO RESERVE	CHROM HAHNSTANGE FUR BRUHGRUPPE
14	WY12158	GUARNIZIONE 26x20.5x2	GASKET 26x20.5x2	JOINT 26x20.5x2	DICHTUNG 26x20.5x2
15	WY4925678001	RACCORDO RUBINETTO	TAP FITTING	RACCORD ROBINET	HAHNANSCHLUSSTUCK
16	WY12204	GUARNIZIONE GOMMA RUBINETTO 12.5x7.5x9	TAP RUBBER GASKET 12.5x7.5x9	JOINT CAOUTCHOUC ROB. 12.5X7.5X9	HAHNDICHTUNG 12.5x7.5x9
17	WY25655	RONDELLA RUBINETTO	TAP WASHER	RONDELLE ROBINET	HAHNSCHEIBE
18	WY10452	MOLLA RUBINETTO ACQUA/VAPORE N4	WATER/STEAM TAP SPRING N4	RESSORT DE ROBINET EAU-VAPEUR N4	WASSER/DAMPF HAHNFEDER N4
19	WY25385001	DADO PREMISTOPPA RUBINETTO + RONDELLA	TAP STUFFING NUT	ECROU DE PRESSE-ETOUPE ROBINET	STOPFBUCHSE MUTTER - HAHN
20	WY15278008	MANOPOLA ACQUA/VAPORE	WATER/STEAM TAP KNOB	POIGNEE ROBINET EAU/VAPEUR	WASSER-DAMPFHAHNGRIFF
21	WY15278070	MANOPOLA RUBINETTO IN LEGNO	KNOB	BOUTON	DREHKNOFF
22	WY25419011	DISTANZIALE ACCIAIO M4xH8	STEEL SPACER	ENTRETOISE INOX	STAHL DISTANZSTUCK
23	WY23261	RONDELLA INOX DENTELLATA D4	INDENTED STAINLESS WASHER D4	RONDELLE DENTELEE INOX D 4	GEZACKTE STAHLSCHEIBE D4
24	WY29030002	DISCO MANOPOLA ACQUA	WATER HANDLE PLATE	DISQUE POUR POIGNEE EAU	SCHEIBE FUR WASSERHANDGRIFF
25	WY10500	ORLI SOTTOVITE OT/NI BN569 M3.5/M4	NICKLE/BRASS WASHER	BORD SOUS-VIS LAITON NICKELE	MESSING/NICKEL SCHEIBE
26	WY23503	VITE TPS INOX 4x8 TAGLIO CACC.	STEEL SCREW TPS 4X8	VIS INOX TPS 4X8	STAHLSCHRAUBE TPS 4x8
27	WY25763175	TUBO AISI VAPORE FISSA MININOVA GR. SCOPER	STEEL STEAM PIPE	TUYAU VAPEUR INOX	STAHL DAMPFROHRSATZ
28	WY25763143	SPRUZZATORE VAPORE INOX M8x1 5 FORI 1mm x	STEEL STEAM SPRAYER	VAPORISATEUR INOX	STAHLDAMPFER
29	WY15296000	GOMMINO ANTISCOTTATURA D-8	ANTI-BURNING RUBBER D-8	ELEMENT ANTI-BRULURE D-8	GUMMI GEGEN VERBRENNUNGEN F. D-8
30	WY12661	GUARNIZIONE OR CON LUNETTA P.MOLLA	OR REST FOR ST.STEEL STEAM PIPE	OR LUNETTE P.RESSORT TUYAU VAP. INOX	HALBE OR-DICHT.F.FEDER DAMPFROHR ED
31	WY10465	MOLLA De 11,5 Df1,5 AISI 302 DV/SP	STAINLESS ST.STEAM PIPE SPRING	RESSORT TUYAU VAP. INOX D.10	FEDER DAMPFROHR EDELSTAHL D. 10
32	WY29031002	DISCO MANOPOLA VAPORE	STEAM HANDLE PLATE	DISQUE POUR POIGNEE VAPEUR	SCHEIBE FUR DEAMPFHANDGRIFF



Pos	Cod.	Denominazione - IT -	Denomination - GB -	Denomination - FR -	Denomination - DE -
1	WY27421015	ROMPIGETTO SCARICO	JET BREAKER DRAIN	BRISE-JET VIDANGE	AUSLAUF SPRITZ.BRECHER
2	WY27421003	MOLLA SCARICO	SPRING DRAIN	RESSORT VIDANGE	AUSLAUF FEDER
3	WY27421010	PORTA GUARNIZIONE	GASKETHOLDER	PORTE JOINT	DICHTUNG TRAEGER
4	WY27421026	GUARNIZIONE DI TENUTA VITON 90	GASKET VITON 90	JOINT VITON 90	DICHTUNG VITON 90
5	WY27421011	RONDELLA PER GUARNIZIONE	WASHER	RONDELLE	SCHEIBE
6	WY27421014	PERNO SCARICO TRIANGOLARE	SHAFT DRAIN TRIANG.	CHEVILLE VIDANGE TRIANG.	STIFT AUSLAUF TRIWINKEL
7	WY27421018	DADO ROMPIGETTO	NUT JET BREAKER	ECROU BRISE-JET	SPRITZ.BRECHER MUTTER
8	WY27421009	GUARNIZIONE TAPPO SCARICO	GASKET	JOINT	DICHTUNG
9	WY27421016	CAMERA ESPANSIONE	EXPANSION CHAMBER	CHAMBRE EXPANSION	UEBERDRUCKSBECKER
10	WY27421006	PERNO CAMERA ESPANSIONE	SHAFT EXP.CHAMBER	CHEVILLE CHAMBRE EXP.	STIFT BECKER
11	WY27421002	MOLLA SOPRA SCARICO	SPRING	RESSORT	FEDER
12	WY27421008	GUARNIZIONE DI TENUTA VITON 65	VITON GASKET 65	JOINT VITON 65	VITON DICHTUNG 65
13	WY27421013	PERNO QUADRO 10MM	SHAFT SQUARE 10MM	CHEVILLE CARREE 10MM	VIERECK.STIFT 10MM
14	WY12023	GUARNIZIONE TEFLON	TEFLON GASKET	JOINT TEFLON	TEFLON DICHTUNG
15	WY10405004	GRANO EI M8x25 PUNTA PIANA INOX	GRUB SCREW M8x25 STEEL	GRAIN M8X25 POINTE PLETE INOX	STAHLGEWINDESTIFT M8X25 FLACHSPITZE
16	WY27421012	PERNO QUADRO 12MM	SHAFT SQUARE 12MM	CHEVILLE CARREE 12MM	VIERECK.STIFT 12MM
17	WY27421005	GAMBO PORTA GUARNIZIONE	GASKETHOLDER SHAFT	TIGE PORTE JOINT	DICHT.HALT.STIFT
18	WY27421001	MOLLA FUNGO	SPRING MUSHROOM	RESSORT CHAMPIGNON	FEDER KOPF
19	WY27118	TAPPO GIGLER	JET CAP	BOUCHON GICLEUR	STOPFEN DUSE
20	WY10253	FILTRO GIGLER	JET FILTER	FILTRE GICLEUR	DUSE FILTER
21	WY10300C	GIGLER OTTONE D-0.7	BRASS JET D-0.7	GICLEUR LAITON D-0.7	VERMESSIN GTE DUSE 0.7
22	WY12025	GUARNIZIONE TEFLON	TEFLON GASKET	JOINT TEFLON	TEFLON DICHTUNG
23	WY27119002	FUNGO GRUPPO LEVETTA	DISTRIBUTION GROUP MUSHROOM	FONGUS GROUPE DEBIT	AUSGABEGRUPPE FUNGUS
24	WY12024	GUARNIZIONE OR VITON	VITON O RING GASKET	JOINT OR	OR DICHTUNG
25	WY12103	GUARNIZIONE RAME	CU GASKET	JOINT CU DE	CU DICHTUNG
26	WY23558	VITE TCEI INOX M6x8	STEEL SCREW TCCE 6x8	VIS INOX TCCE 6x8	STAHLSCHRAUBE TCCE 6x8
27	WY27105	DIFFUSORE GRUPPO W555	SPRAIER GROUP W555	DIFFUSEUR GROUPE	DIFFUSOR VERTEILEREINHEIT
28	WY27104	DOCCETTA GRUPPO INOX	S.STEEL GROUP SHOWER	DOUCHETTE GROUPE INOX	DUSCHE VERTEILEREINHEIT
29	WY12227	GUARNIZIONE SOTTOCOPPA 73,5x57,5x8	GROUP UNDERCUP SEAL 73,5x57,5x8	JOINT SOUCOUPPE 73,5X57,5X8	FILTERGRIFFDICHTUNG 73,5x57,5x8
29	WY12228	GUARNIZIONE SOTTOCOPPA 73,5x57,5x8,5	GROUP UNDERCUP SEAL 73,5x57,8x8,5	JOINT SOUCOUPPE 73,5X57,5X8,5	FILTERGRIFFDICHTUNG 73,5x57,5x8,5
30	WY27078008	CAMMA AZIONAMENTO GRUPPO LEVETTA WE	CAMS GROUP	CAME GROUPE	NOCKEN AUSGABEGRUPPE
31	WY27421019	FERMA CAMME	CAMES HOLDER	FERMECAMES	NOCKEN.HALTER
32	WY27421020	SUPPORTO CAMME	SUPPORT CAM	SUPPORT CAMES	NOCKEN TRAEGER
33	WY27421017	GUARNIZIONE CAMME LEVETTA	GASKET CAM	JOINT CAMES	DICHTUNG NOCKEN
34	WY27421021	PREMISTOPPA	SEALING	PRESSE-ETOUPE	STOPFBUCKSE
35	WY27421004	MOLLA PREMISTOPPA	SPRING SEALING	RESSORT PRESSE-ETOUPE	STOPFBUECHSE FEDER
36	WY27421023	DADO PREMI STOPPA	NUT SEALING	ECROU PRESSE-ETOUPE	MUTTER STOPFBUECHSE
37	WY27421024	BLOCCHETTO CAMMA GRUPPO	CAMES BLOCK GROUP	BLOC CAME GROUPE	ANSCHLAG GRUPPE

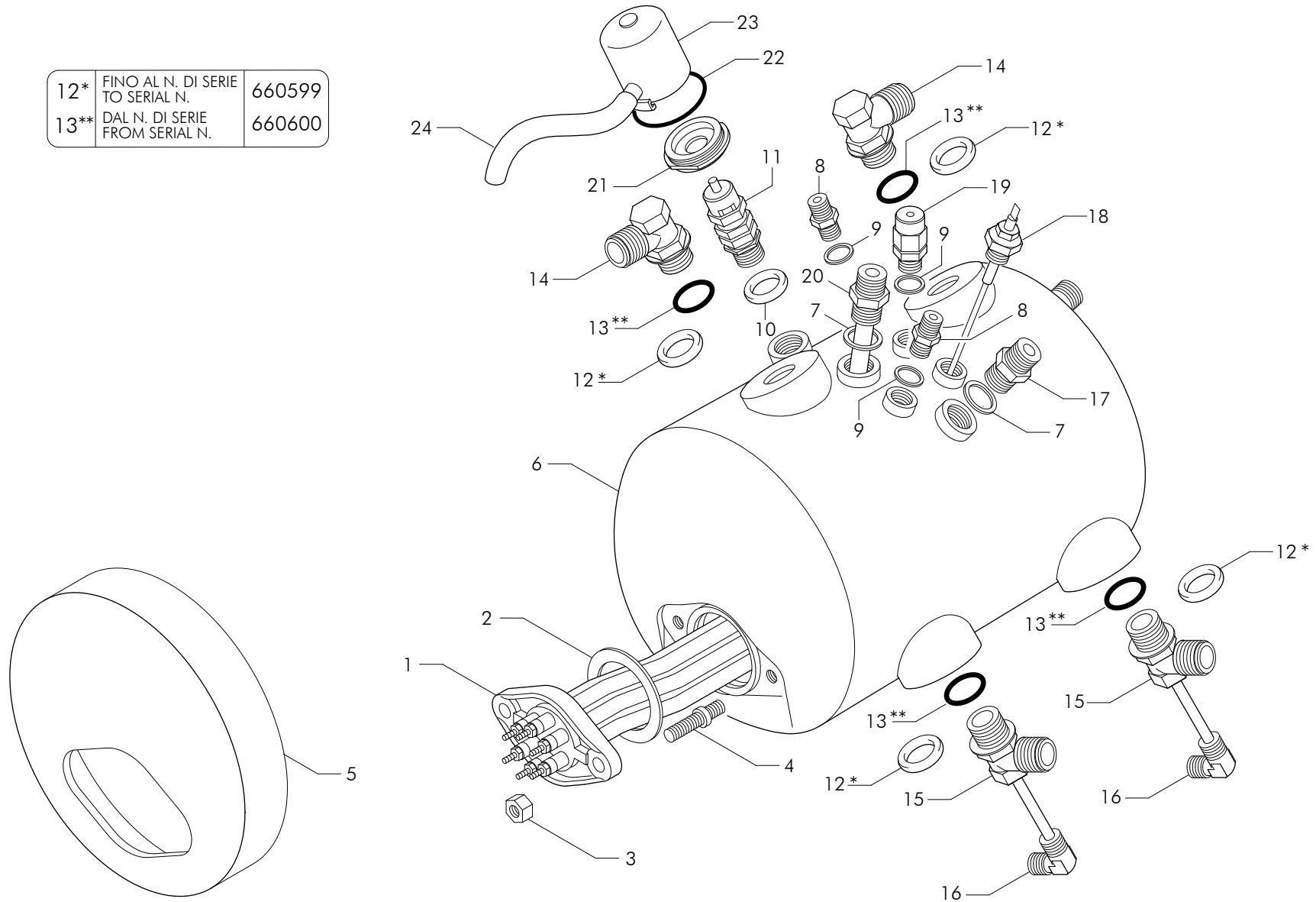
Pos	Cod.	Denominazione - IT -	Denomination - GB -	Denomination - FR -	Denomination - DE -
38	WY27421025	DADO BLOCCA CAMME	NUT CAMHOLDER	ECROU FERMECAMES	MUTTER NOCKEN HALTER
39	WY27421007	ASTA AZIONAMENTO GRUPPO	OPERATING ROD GROUP	TIGE GROUPE	GRUPPE ANTRIEB STIFT
40	WY15400	POMELLO LEVETTA POMPA	MANUAL FILL LEVER KNOB	BOUTON LEVIER POMPE	KNAUF PUMPENHEBEL
41	WY26104	GRUPPO EROGAZIONE LEVETTA WEGA	CAMS DISTRIBUTION GROUP	GROUPE DEBIT A CAME	NOCKEN AUSGABEGRUPPE
42	WY15491050	COPERTURA ANTI SCOTTATURA GRUPPI WEGA	ANTI BURNING GROUP PROTECTION	GROUP DE PROTECTION DES BRULURES	VERBRUHING SCHUTZGRUPPE



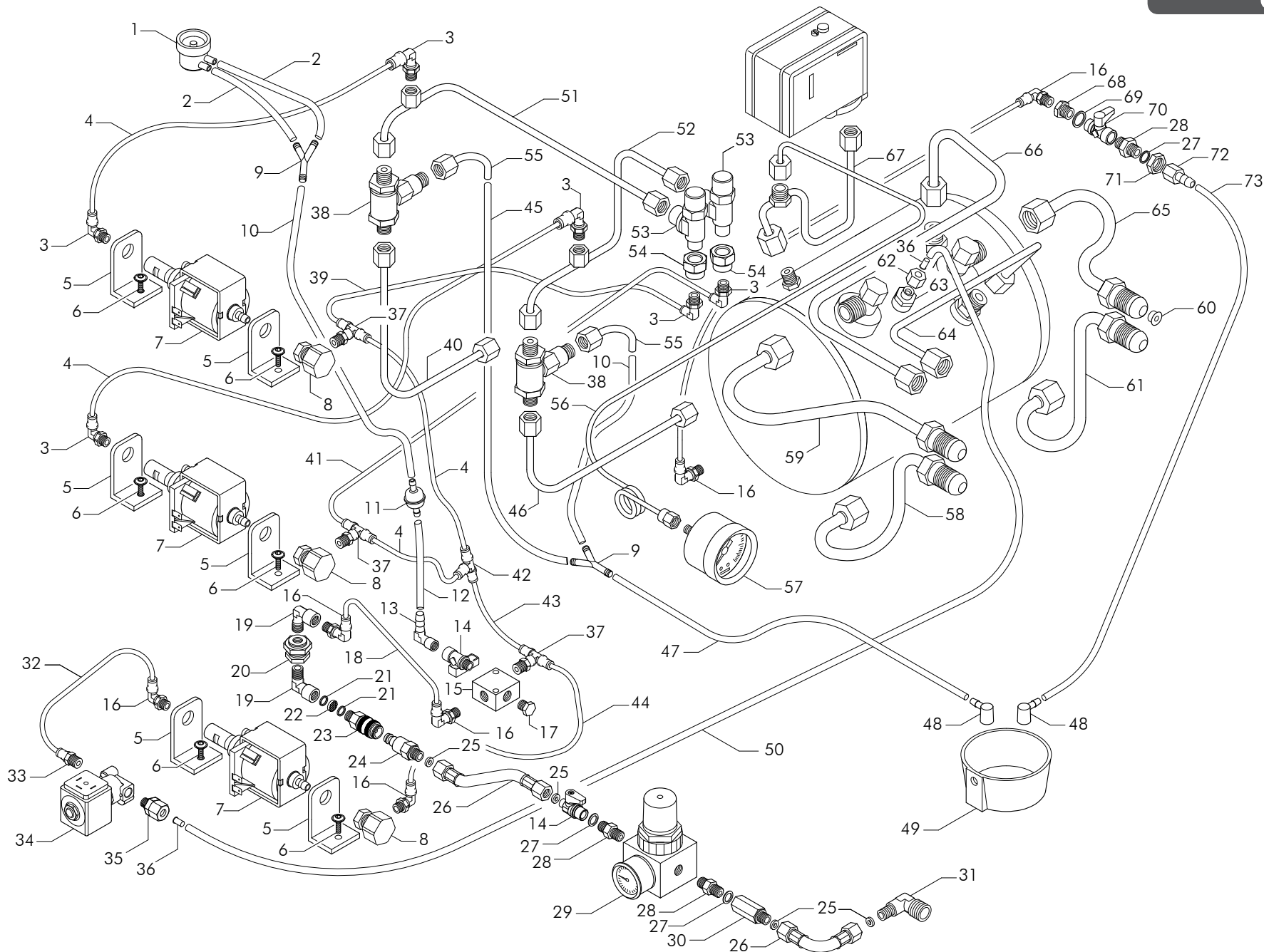
Pos	Cod.	Denominazione - IT -	Denomination - GB -	Denomination - FR -	Denomination - DE -
1	WY27421015	ROMPIGETTO SCARICO	JET BREAKER DRAIN	BRISE-JET VIDANGE	AUSLAUF SPRITZ.BRECHER
2	WY27421003	MOLLA SCARICO	SPRING DRAIN	RESSORT VIDANGE	AUSLAUF FEDER
3	WY27421010	PORTA GUARNIZIONE	GASKETHOLDER	PORTE JOINT	DICHTUNG TRAEGER
4	WY27421026	GUARNIZIONE DI TENUTA VITON 90	GASKET VITON 90	JOINT VITON 90	DICHTUNG VITON 90
5	WY27421011	RONDELLA PER GUARNIZIONE	WASHER	RONDELLE	SCHEIBE
6	WY27421014	PERNO SCARICO TRIANGOLARE	SHAFT DRAIN TRIANG.	CHEVILLE VIDANGE TRIANG.	STIFT AUSLAUF TRIWINKEL
7	WY27421018	DADO ROMPIGETTO	NUT JET BREAKER	ECROU BRISE-JET	SPRITZ.BRECHER MUTTER
8	WY27421009	GUARNIZIONE TAPPO SCARICO	GASKET	JOINT	DICHTUNG
9	WY27421016	CAMERA ESPANSIONE	EXPANSION CHAMBER	CHAMBRE EXPANSION	UEBERDRUCKSBECKER
10	WY27421006	PERNO CAMERA ESPANSIONE	SHAFT EXP.CHAMBER	CHEVILLE CHAMBRE EXP.	STIFT BECKER
11	WY27421002	MOLLA SOPRA SCARICO	SPRING	RESSORT	FEDER
12	WY27421008	GUARNIZIONE DI TENUTA VITON 65	VITON GASKET 65	JOINT VITON 65	VITON DICHTUNG 65
13	WY27421013	PERNO QUADRO 10MM	SHAFT SQUARE 10MM	CHEVILLE CARREE 10MM	VIERECK.STIFT 10MM
14	WY12023	GUARNIZIONE TEFLON	TEFLON GASKET	JOINT TEFLON	TEFLON DICHTUNG
15	WY10405004	GRANO EI M8x25 PUNTA PIANA INOX	GRUB SCREW M8x25 STEEL	GRAIN M8X25 POINTE PLETE INOX	STAHLGEWINDESTIFT M8X25 FLACHSPITZE
16	WY27421012	PERNO QUADRO 12MM	SHAFT SQUARE 12MM	CHEVILLE CARREE 12MM	VIERECK.STIFT 12MM
17	WY27421005	GAMBO PORTA GUARNIZIONE	GASKETHOLDER SHAFT	TIGE PORTE JOINT	DICHT.HALT.STIFT
18	WY27421001	MOLLA FUNGO	SPRING MUSHROOM	RESSORT CHAMPIGNON	FEDER KOPF
19	WY27118	TAPPO GIGLER	JET CAP	BOUCHON GICLEUR	STOPFEN DUSE
20	WY10253	FILTRO GIGLER	JET FILTER	FILTRE GICLEUR	DUSE FILTER
21	WY10300C	GIGLER OTTONE D-0.7	BRASS JET D-0.7	GICLEUR LAITON D-0.7	VERMESSIN GTE DUSE 0.7
22	WY12025	GUARNIZIONE TEFLON	TEFLON GASKET	JOINT TEFLON	TEFLON DICHTUNG
23	WY27119002	FUNGO GRUPPO LEVETTA	DISTRIBUTION GROUP MUSHROOM	FONGUS GROUPE DEBIT	AUSGABEGRUPPE FUNGUS
24	WY12024	GUARNIZIONE OR VITON	VITON O RING GASKET	JOINT OR	OR DICHTUNG
25	WY12103	GUARNIZIONE RAME	CU GASKET	JOINT CU DE	CU DICHTUNG
26	WY23558	VITE TCEI INOX M6x8	STEEL SCREW TCCE 6x8	VIS INOX TCCE 6x8	STAHLSCHRAUBE TCCE 6x8
27	WY27105	DIFFUSORE GRUPPO W555	SPRAIER GROUP W555	DIFFUSEUR GROUPE	DIFFUSOR VERTEILEREINHEIT
28	WY27104	DOCCETTA GRUPPO INOX	S.STEEL GROUP SHOWER	DOUCHETTE GROUPE INOX	DUSCHE VERTEILEREINHEIT
29	WY12227	GUARNIZIONE SOTTOCOPPA 73,5x57,5x8	GROUP UNDERCUP SEAL 73,5x57,5x8	JOINT SOUCOUPPE 73,5X57,5X8	FILTERGRIFFDICHTUNG 73,5x57,5x8
29	WY12228	GUARNIZIONE SOTTOCOPPA 73,5x57,5x8,5	GROUP UNDERCUP SEAL 73,5x57,8x8,5	JOINT SOUCOUPPE 73,5X57,5X8,5	FILTERGRIFFDICHTUNG 73,5x57,5x8,5
30	WY27078008	CAMMA AZIONAMENTO GRUPPO LEVETTA WE	CAMS GROUP	CAME GROUPE	NOCKEN AUSGABEGRUPPE
31	WY27421019	FERMA CAMME	CAMES HOLDER	FERMECAMES	NOCKEN.HALTER
32	WY27421020	SUPPORTO CAMME	SUPPORT CAM	SUPPORT CAMES	NOCKEN TRAEGER
33	WY27421017	GUARNIZIONE CAMME LEVETTA	GASKET CAM	JOINT CAMES	DICHTUNG NOCKEN
34	WY27421021	PREMISTOPPA	SEALING	PRESSE-ETOUPE	STOPFBUCKSE
35	WY27421004	MOLLA PREMISTOPPA	SPRING SEALING	RESSORT PRESSE-ETOUPE	STOPFBUECHSE FEDER
36	WY27421023	DADO PREMI STOPPA	NUT SEALING	ECROU PRESSE-ETOUPE	MUTTER STOPFBUECHSE
37	WY27421024	BLOCCHETTO CAMMA GRUPPO	CAMES BLOCK GROUP	BLOC CAME GROUPE	ANSCHLAG GRUPPE

Pos	Cod.	Denominazione - IT -	Denomination - GB -	Denomination - FR -	Denomination - DE -
38	WY27421025	DADO BLOCCA CAMME	NUT CAMHOLDER	ECROU FERMECAMES	MUTTER NOCKEN HALTER
39	WY27421007	ASTA AZIONAMENTO GRUPPO	OPERATING ROD GROUP	TIGE GROUPE	GRUPPE ANTRIEB STIFT
40	WY15278068	MANOPOLA M8 GRP LEVETTA IN LEGNO	KNOB	BOUTON	DREHKNOPF
41	WY26104006	GRUPPO EROGAZIONE LEVETTA WEGA POMELLO LEG	CAMS DISTRIBUTION GROUP	GROUPE DEBIT A CAME	NOCKEN AUSGABEGRUPPE
42	WY15491050	COPERTURA ANTI SCOTTATURA GRUPPI WEGA	ANTI BURNING GROUP PROTECTION	GROUP DE PROTECTION DES BRULURES	VERBRUHING SCHUTZGRUPPE

12*	FINO AL N. DI SERIE TO SERIAL N.	660599
13**	DAL N. DI SERIE FROM SERIAL N.	660600

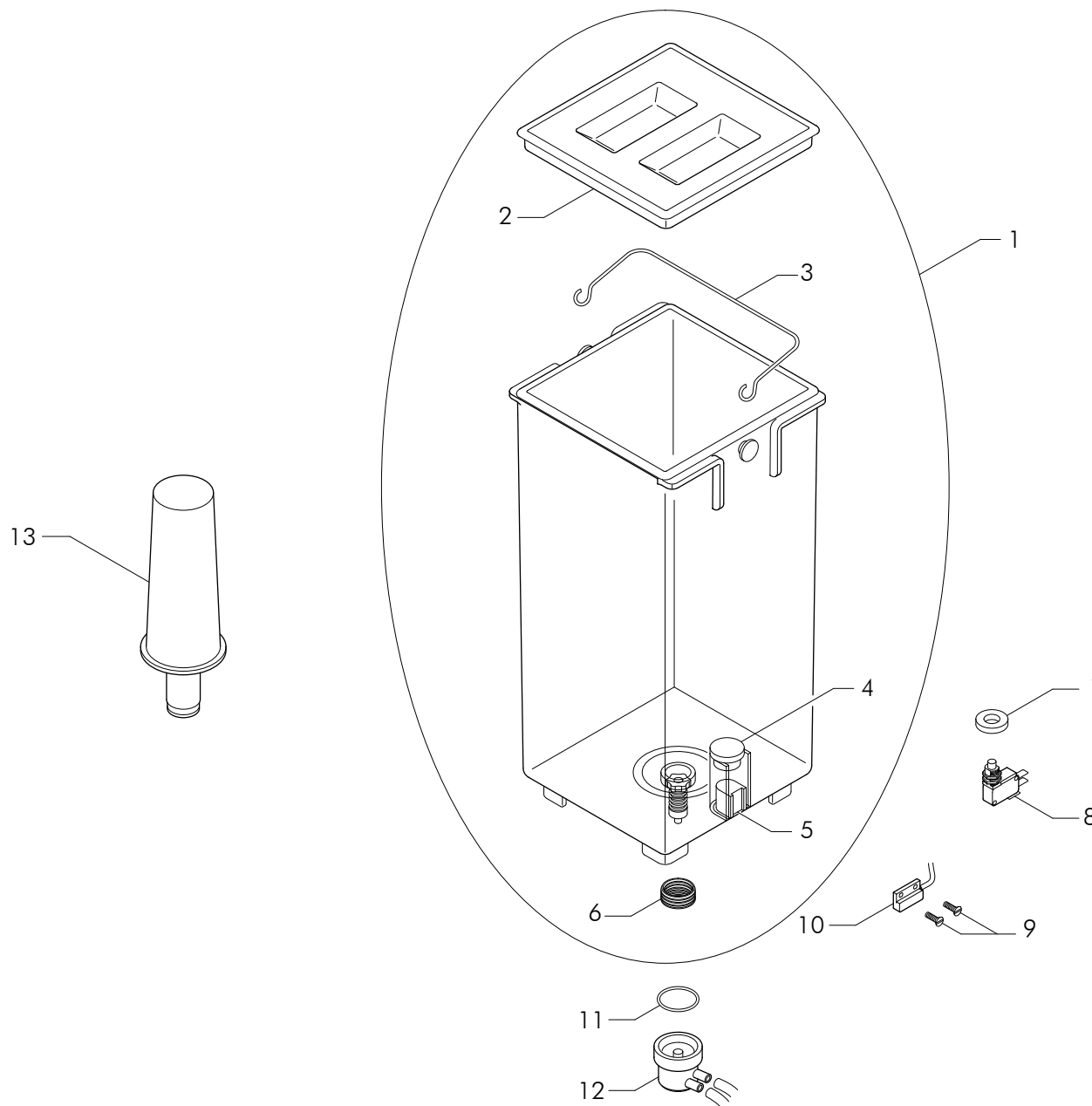


Pos	Cod.	Denominazione - IT -	Denomination - GB -	Denomination - FR -	Denomination - DE -
1	WY4617012	RESISTENZA 1GR 6P 230/240V 2700/2940W	HEATING ELEM. 1GR 230/240V 2700/2940W	RESISTANCE 1GR 230/240V 2700/2940W	HEIZKORPER 1GR 230/240V 2700/2940W
1	WY4617016	RESISTENZA 1GR 6P 120V 2700W	HEATING ELEM.1GR 120V-2700W 6POLES	RESISTANCE 1GR 120V-2700W 6POLES	HEIZKORPER 1GR 120V-2700W 6POLEN
2	WY12001	GUARNIZIONE TEFLON 58x43x2	TEFLON GASKET 58x43x2	JOINT TEFLON 58x43x2	TEFLON DICHTUNG 58x23x2
3	WY23049	DADO OTTONE M8	BRASS NUT M8	ECROU LAITON M8	MESSING-SCHRAUBENMUTTER M8
4	WY23132001	PRIGIONIERO INOX M8	M8 STAINLESS STEEL BOTTOM STUD	PRISONNIER INOX M8	STIFTSCHRAUBE EDELSTAHL M8
5	WY15182979	ISOLANTE TERMICO RESISTENZA MINI WX/2GR	THERMIC INSULATING RES.MINI WX/2GR	RES. D'ISOLATION THERMIQUE MINI WX/2GR	WARMEDAMMUNG WIDERSTAND MINI WX/2GR
6	WY62099004	CALDAIA MININOVA 2GR/C 7 LITRI SC.PASS.D-6	2GR 7-LITRE BOILER	CHAUDIERE 2GR 7 LITRES	KESSEL 2 EINHEITEN 7 LITER
7	WY12154	GUARNIZIONE CU 3/8 22x17x1.5	GASKET COPPER 3/8 22x17x1,5	JOINT CUIVRE 3/8 22x17x1.5	KUPFERDICHTUNG 3/8 22x17x1.5
8	WY4925686	RACCORDO 1/4Mx1/4M	CONNECTOR 1/4Mx1/4M	RACCORD 1/4Mx1/4M	ANSCHLUSS 1/4Mx1/4M
9	WY12153	GUARNIZIONE RAME 1/4 17x13.3x1.5	GASKET 1/4 17x13.3x1.5 COPPER	JOINT CUIVRE 1/4 17x13.3x1.5	KUPFERDICHTUNG 1/4 17x13.3x1.5
10	WY12101	GUARNIZIONE RAME 3/8 22x17x3	GASKET COPPER 3/8 22x17x3	JOINT CUIVRE 3/8 22x17x3	KUPFERDICHTUNG 3/8 22x17x3
11	WY20352	VALVOLA DI SICUREZZA *CE*	*CE* SAFETY VALVE	SOUPAPE DE SECURITE *CE*	SICHERHEITSVENTIL *CE*
12	WY12105	GUARNIZIONE CU/ALIM 1/2 GAS	CU GASKET 1/2 GAS	JOINT CU 1/2 GAZ	CU DICHTUNG 1/2 GAS
13	WY12300093	GUARNIZIONE OR NERO	O RING GASKET BLACK	JOINT OR NOIR	OR DICHTUNG SCHWARZ
14	WY4923214001	RACCORDO ORIENTABILE -L- 1/2	ROTARY COUPLING	RACCORD ROTATIF	ROTARY KUPPLUNG
15	WY4923215001	RACCORDO ORIENTABILE -T- 1/2	ROTARY COUPLING	RACCORD ROTATIF	ROTARY KUPPLUNG
16	WY52000410	TUBO D-6 L.85	TUBE D-6 L.85	TUYAU D-6 L.85	ROHR D-6 L.85
17	WY4925687	RACCORDO 3/8x3/8	3/8x3/8 FITTING	RACCORD 3/8x3/8	ANSCHLUSS 3/8x3/8
18	WY4820251	SONDA LIVELLO L.125	LEVEL PROBE L.125	JAUG L.125	PEGELFUHLER L.125
19	WY56150	VALVOLA ANTIRISUCCHIO V.A.R.	ANTI-EDDY VALVE V.A.R.	SOUPAPE ANTI-DEPRESSION V.A.R.	VENTIL UNTERDRUCKFREI V.A.R.
20	WY52001612	TUBO D-10 L.115	TUBE D-10 L.115	TUYAU D-10 L.115	ROHR D-10 L.115
21	WY15006001	FLANGIA VALVOLA SICUREZZA	FLANGE VALVE	JOINT VANNE	FLANSCH VENTIL
22	WY12300000	GUARNIZIONE OR	GASKET O RING	JOINT OR	OR DICHTUNG
23	WY56009980	ASSIEME PROTEZIONE VALVOLE SICUREZZA	UNIT PROTECTION VALVE	ENSEMBLE PROTECTION VANNE	SATZ-SCHUTZGITTER VENTIL
24	WY15478002	TUBO SILICONE 8x11 L.70cm	SILICONE TUBE 8x11 L.70cm	TUYAU SILICONE 8x11 L.70cm	SILIKONROHR 8x11 L.70cm

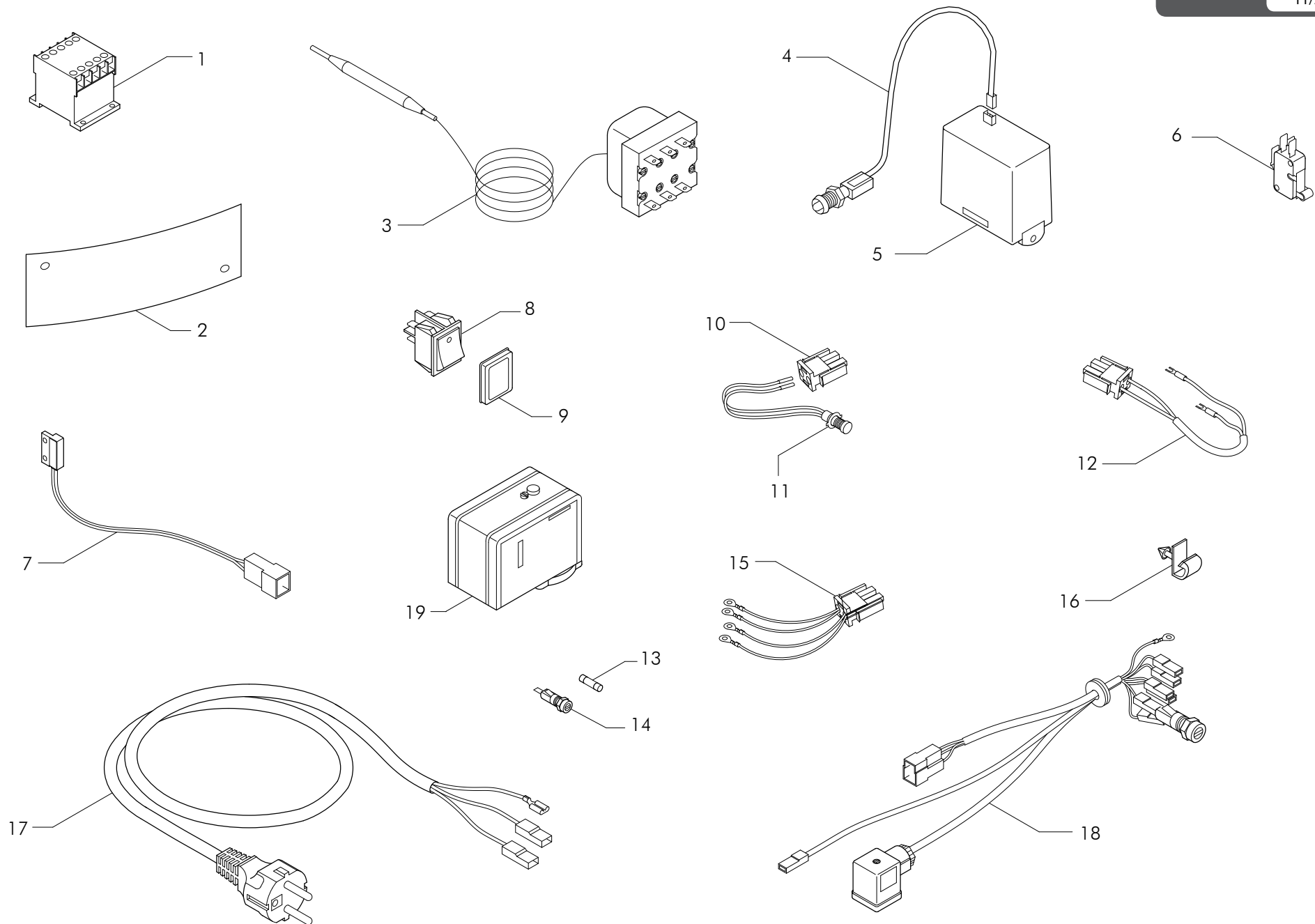


Pos	Cod.	Denominazione - IT -	Denomination - GB -	Denomination - FR -	Denomination - DE -
1	WY15006006	VALVOLA FEMMINA VASO ACQUA	VALVE FEMALE WATER TANK	SOUPAPE FEMELLE CUVE EAU	VENTIL NUT WSSERTANK
2	WY15451051	TUBO SILICONE 4x8 L.100	TUBE SILICONE D-4x8 L.100	TUYAU SILICONE D-4x8 L.100	SILIKONSCHLAUCH D-4x8 L.100
3	WY23229111	RACCORDO RAPIDO -L- 1/8M CIL+OR D-4	QUICK COUPLING -L- 1/8M	RACCORD RAPIDE -L- 1/8M	STECKVERBINDUNG -L- 1/8M
4	WY15452119	TUBO PTFE D-2x4 L.220	TUBE PTFE D-2x4 L.220	TUYAU PTFE D-2x4 L.220	ROHR PTFE D-2x4 L.220
5	WY26314001	SUPPORTO POMPA VIBRAZIONE	VIBRATION PUMP SUPPORT	SUPPORT POMPE VIBRATION	HALTER F. SCHWINGUNGSPUMPE
6	WY23652000	VITE TBCE M4x12	SCREW TBCE 4x12	VIS TBCE 4x12	SCHRAUBE TBCE 4x12
7	WY26316008	POMPA VIBRAZIONE ULKA 220V/50 EX5	VIBRATION PUMP ULKA 220V/50	POMPE VIBR. ULKA 220V/50	VIBR.PUMPE ULKA 220V/50
8	WY4625691002	RACCORDO ATTACCO A RETE POMPA ULKA	CONNECTOR	RACCORD	ANSCHLUSS
9	WY15422003	RACCORDO "Y" POLIPROPILENE D-6	CONNECTOR "Y" POLYPROP.D-6	RACCORD "Y" POLYPROPYLENE D-6	VERBINDUNGSSTUCK "Y" POLIPROPILED-6
10	WY15451030	TUBO D-4x8 L.90 SILICONE	SILICON TUBE D-4X8 L.90	TUYAU D-4X8 L.90 SILICONE	SILIKON ROHR D-4X8 L.90
11	WY15080004	FILTRO PASSANTE ACQUA	WATER FILTER	FILTRE EAU	WASSER FILTER
12	WY15451048	TUBO SILICONE 4x8 L.65	SILICONE PIPE 4x8 L.65	TUBE SILICONE 4x8 L.65	SILIKONSCHLAUCH 4x8 L.65
13	WY4823228020	RACC.-L- 1/8M +PORTAGOMMA D-7 OT	FITTING 1/8M + HOSE CONNECTION	RACCORD 1/8M + PORTE-CAOUTCHOUC	ANSCHLUSS 1/8M + GUMMIHALTER
14	WY20227001	RUBINETTO SFERA 1/8M-1/8F	TAP 1/8M - 1/8F	ROBINET 1/8M - 1/8F	HAHN 1/8M - 1/8F
15	WY25423002	DISTRIBUTORE	DISTRIBUTOR	DISTRIBUTEUR	VERTEILER
16	WY23229112	RACCORDO RAPIDO -L- 1/8M CIL+OR D-6	QUICK COUPLING -L- 1/8M	RACCORD RAPIDE -L- 1/8M	STECKVERBINDUNG -L- 1/8M
17	WY23228600	TAPPO 1/8 + GUARNIZIONE	CAP 1/8 + GASKET	BOUCHON 1/8 + JOINT	CAP 1/8 + DICHTUNG
18	WY15451068	TUBO D-4x6 L.300 PTFE	TUBE D-4X6 L.300 PTFE	TUYAU D-4X6 L.300 PTFE	ROHR D-4X6 L.300 PTFE
19	WY4723229103	RACCORDO 1/8-1/8	CONNECTOR 1/8-1/8	RACCORD 1/8-1/8	ANSCHLUSS 1/8-1/8
20	WY4723229201	RACCORDO ATTRAVERS.PARETE 1/8F	CONNECTOR 1/8F 0117	RACCORD 1/8F	VENTIL 1/8F
21	WY12155	GUARNIZIONE RAME 8.5x5x1	COPPER GASKET 8.5X5X1	JOINT CU 8.5X5X1	CU DICHTUNG 8.5x5x1
22	WY10251001	FILTRO IN ACCIAIO D-8 Sp.0,3	STEEL FILTER D-8 - 0.3 THICK	FILTRE EN ACIER D-8 Ep.0,3	STAHLFILTER D-8 Sp.0,3
23	WY23229202	GIUNTO AUTOM.CORPO MASCHIO 1/8	AUT. COUPLING 1/8	JOINT AUT. 1/8	AUT.ANSCHLUSS 1/8
24	WY4723229203	GIUNTO AUTOM.INNESTO MASCHIO 1/8 316L	JOINT	COUPLAGE	KUPPLUNG
25	WY12012	GUARNIZIONE TEFLON 8.5x4x2	GASKET TEFLON 8.5x4x2	JOINT TEFLON 8.5x4x2	DICHTUNG TEFLON 8.5x4x2
26	WY4630406	TUBOFLEX 1/8FF P.GOMMA PIA. L100 CW510	TUBOFLEX 1/8FF RUBBER-HOLDER L100	TUBOFLEX 1/8FF PORTE-GOMME L100	TUBOFLEX 1/8FFGUMMI-HALTER L100
27	WY12151	GUARNIZIONE RAME 1/8 13x10.2x1.5	COPPER GASKET	JOINT CUIVRE	KUPFERDICHTUNG
28	WY4723228006	RACC.DRITTO 1/8M 1/8M 316L	STRAIGHT FITTING 1/8M 1/8M	RACC. DROIT 1/8M 1/8M LAITO	GERADER ANSCHLUSS 1/8M 1/8M
29	WY26330002	RIDUTTORE PRESSIONE 1/8 0.2-3Bar	PRESSION REDUCTION 1/8 0.2-3Bar	REDUCTEUR PRESSION 1/8 0.2-3Bar	DRUCKREDUZIERER 1/8 0.2-3Bar
30	WY20358009	VALVOLA NON RITORNO 1/8M 1/8F	NON RETURN VALVE 1/8M 1/8F	CLAPET ANTI-RETOUR 1/8M 1/8F	RUCKSCHLAGVENTIL 1/8M 1/8F
31	WY4823206	RACCORDO -L- D10 3/8x1/8CON	ELBOW BRASS CONNECTOR D10 3/8X1/8	RACCORD COUDE LAITON D10 3/8X1/8	MESSING FITTING D10 3/8x1/8
32	WY15452101	TUBO TEFLON D-4x2 L.115	TUBE TEFLON D-2x4 L.115	TUYAU TEFLON D-2x4 L.115	ROHR TEFLON D-2x4 L.115
33	WY23229013	RACCORDO RAPIDO DRITTO 1/8M CIL+OR D-4	QUICK COUPLING 1/8M D-4	RACCORD RAPIDE 1/8M D-4	STECKVERBINDUNG 1/8M D-4
34	WY4618162005	ELETTROVALVOLA AEA 220-240V 50-60Hz VDE	SOL.VALVE WATER REFILL 220/240 50/60HZ	ELECTROVANNE REA 220/240V 50/60Hz VDE/	ELEKTROVENTIL AWZ 230/250 V 50/60 Hz
35	WY23228027	RACCORDO DRITTO 1/8 CIL.OT	STRAIGHT FITTING 1/8M	RACCORD DROIT 1/8M	GERADER ANSCHLUSS 1/8M
36	WY23229217	BOCCOLA INTERNA OT RG620004	INNER BUSCHING RG620004	DOUILLE INTERIEURE RG620004	DIE INNER-BUCHSE RG620004
37	WY23229155	RACCORDO RAPIDO -T- 1/8M CIL+OR D-4	QUICK COUPLING -T- 1/8M	RACCORD RAPIDE -T- 1/8M	STECKVERBINDUNG -T- 1/8M
38	WY20361	VALVOLA S.C.N.R. REGOLABILE	ADJUSTABLE S.C.N.R. VALVE	SOUPAPE S.C.N.R. REGLABLE	EINSTELLBARES VENTIL S.N.C.R.

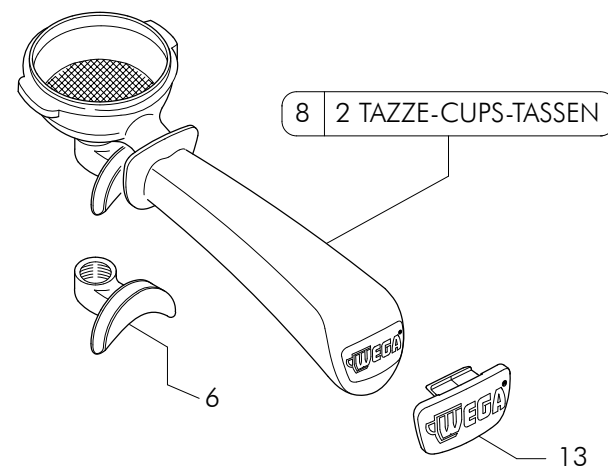
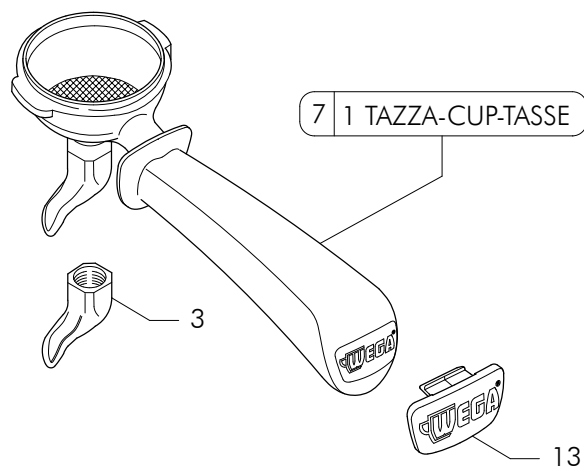
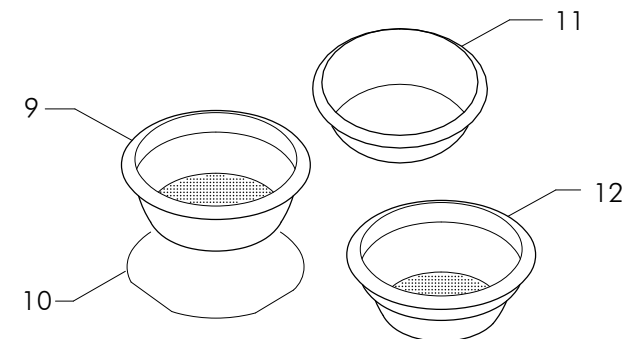
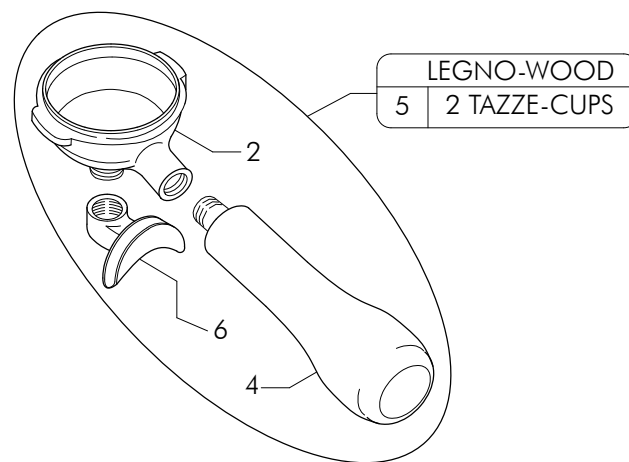
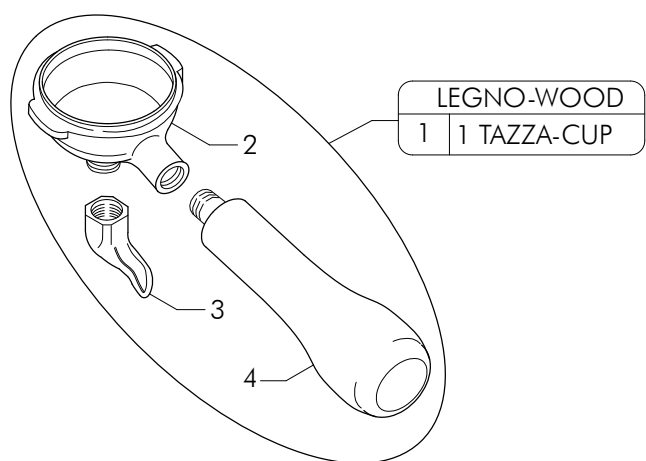
Pos	Cod.	Denominazione - IT -	Denomination - GB -	Denomination - FR -	Denomination - DE -
39	WY15452105	TUBO TEFLON D-4x2 L.415	TEFLON TUBE D-4X2 L.415	TUBE DE TEFLON D-4X2 L.415	TEFLONSCHLAUCH D-4X2 L.415
40	WY52002168	TUBO D-6 L.330 CO 136	TUBE D-6 L.330	TUYAU D-6 L.330	ROHR D-6 L.330
41	WY15452132	TUBO TEFLON D-4x2 L.470	TEFLON TUBE D-4X2 L.470	TUBE DE TEFLON D-4X2 L.470	TEFLONSCHLAUCH D-4X2 L.470
42	WY23229157	RACCORDO RAPIDO -T-	QUICK COUPLING -T-	RACCORD RAPIDE -T-	STECKVERBINDUNG -T-
43	WY15452103	TUBO TEFLON D-4x2 L.260	TUBE TEFLON D-2x4 L.260	TUYAU TEFLON D-2x4 L.260	ROHR TEFLON D-2x4 L.260
44	WY15452102	TUBO TEFLON D-4x2 L.180	TUBE TEFLON D-2x4 L.180	TUYAU TEFLON D-2x4 L.180	TEFLON ROHR D-2x4 L.180
45	WY15451047	TUBO D-4x8 L.200 SILICONE	SILICONE PIPE 4x8 L.200	TUBE SILICONE 4x8 L.200	SILIKONSCHLAUCH 4x8 L.200
46	WY52002167	TUBO D-6 L.310 CO 135	TUBE D-6 L.310	TUYAU D-6 L.310	ROHR D-6 L.310
47	WY15451035	TUBO SILICONE D-4x8 L.285	TUBE SILICONE D-4x8 L.285	TUYAU SILICONE D-4x8 L.285	ROHR SILIKON D-4x8 L.285
48	WY15422007	PIPETTA	PIPETTE	PIPETTE	PIPETTE
49	WY15502	VASCETTA SCARICO ROTONDA D 80	ROUND DRAIN BASIN D.80mm	CUVE A VIDANGER RONDE D.80mm	RUNDE ABFLUSSCHALE D.80mm
50	WY15452134	TUBO TEFLON D-4x6 L.640	TEFLON TUBE D-4X6 L.640	TUBE DE TEFLON D-4X6 L.640	TEFLONSCHLAUCH D-4X6 L.640
51	WY52002170	TUBO D-6 L.95 CO 138	TUBE D-6 L.95	TUYAU D-6 L.95	ROHR D-6 L.95
52	WY52002169	TUBO D-6 L.290 CO 137	TUBE D-6 L.290	TUYAU D-6 L.290	ROHR D-6 L.290
53	WY25715001	RACCORDO MISCELATORE GRUPPI ITALIA	ITALIA MIXER FITTING	RACC. MELANGEUR GROUPES ITALIA	ANSCHLUSS MISCHER EINHEITEN
54	WY4925744001	RIDUZIONE 1/8Fx1/4F L.21	REDUCTION 1/8Fx1/4F	REDUCTION 1/8Fx1/4F	REDUKTION 1/8Fx1/4F
55	WY52002898	TUBO D-6 L.50	TUBE D-6 L.50	TUYAU D-6 L.50	ROHR D. 6 L.50
56	WY52000110	TUBO D-4 L.730	TUBE D-4 L.730	TUYAU D-4 L.730	ROHR D-4 L.730
57	WY4621105	MANOMETRO 2.5 BAR	PRESSURE GAUGE 2.5 BAR 1/8 D44 TUV	MANOMETRE 2.5 BAR 1/8 D44 TUV	MANOMETER 2.5 BAR 1/8 D44 TUV
58	WY52002161	TUBO D-10 L.440 CO 129	TUBE D-10 L.440	TUYAU D-10 L.440	ROHR D-10 L.440
59	WY52002162	TUBO D-10 L.140 CO 130	TUBE D-10 L.140	TUYAU D-10 L.140	ROHR D-10 L.140
60	WY4923293000	STROZZATURA RICIRCOLO D 2.5	REDUCED CONNECTOR OF GROUP D2.5	RACCORD REDUIT DU GROUPE D2.5	VERKLEINERTE FITTING DER GRUPPE D2.5
60	WY4923293001	STROZZATURA RICIRCOLO D 4	REDUCED CONNECTOR OF GROUP D4	RACCORD REDUIT DU GROUPE D4	VERKLEINERTE FITTING DER GRUPPE D4
61	WY52002159	TUBO D-10 L.500 CO 127	TUBE D-10 L.500	TUYAU D-10 L.500	ROHR D-10 L.500
62	WY23229219	DADO M10x1 Ch13 FORO 6,2	NUT M10X1	ECROU M10X1	MUTTER M10X1
63	WY52002166	TUBO D-8 L.107 CO 134	TUBE D-8 L.107	TUYAU D-8 L.107	ROHR D-8 L.107
64	WY52002163	TUBO D-6 L.385 CO 131	TUBE D-6 L.385	TUYAU D-6 L.385	ROHR D-6 L.385
65	WY52002160	TUBO D-10 L.185 CO 128	TUBE D-10 L.185	TUYAU D-10 L.185	ROHR D-10 L.185
66	WY52002164	TUBO D-8 L.380 CO 132	TUBE D-8 L.380	TUYAU D-8 L.380	ROHR D-8 L.380
67	WY52002165	TUBO D-8 L.385 CO 133	TUBE D-8 L.385	TUYAU D-8 L.385	ROHR D-8 L.385
68	WY25749003	RIDUZIONE 1/4M GAS - 1/8F GAS INOX	CONNECTOR 1/4M - 1/8F	RACCORD 1/4M - 1/8F	FITTING 1/4M - 1/8F
69	WY12153	GUARNIZIONE RAME 1/4 17x13.3x1.5	GASKET 1/4 17x13.3x1.5 COPPER	JOINT CUIVRE 1/4 17x13.3x1.5	KUPFERDICHTUNG 1/4 17x13.3x1.5
70	WY20227002	RUBINETTO SFERA 1/4F-1/8F Ni	BALL TAP 1/4F-1/8F	ROBINET 1/4F - 1/8F	HAHN 1/4F - 1/8F
71	WY25395	DADO 1/8	1/8 NUT	ECROU 1/8	MUTTER 1/8
72	WY4823228018	RACCORDO DRITTO 1/8F + PORTAGOMMA	CONNECTOR 1/8F	RACCORD 1/8F	ANSCHLUSS 1/8F
73	WY15451022	TUBO SILICONE D-4x8 L.400	SILICON TUBE D-4X8 L.400	TUYAU D-4X8 L.400 SILICONE	SILIKON ROHR D-4X8 L.400



Pos	Cod.	Denominazione - IT -	Denomination - GB -	Denomination - FR -	Denomination - DE -
1	WY83150030R	VASO ACQUA COMPLETO	WATER TANK	CUVE EAU	WASSERTANL
2	WY15020121	COPERCHIO VASO ACQUA	WATER TANK LID	COUVERCLE CUVE EAU	WASSERTANK DECKEL
3	WY25501258	MANIGLIA FILO D.2 INOX VASO ACQUA	HANDLE WATER TANK	POIGNEE CUVE EAU	GRIFF WASSERTANK
4	WY15020122	TAPPO SEDE GALLEGGIANTE	WATER TANK CAP	BOUCHON CUVE EAU	WASSERTANK STOPFEN
5	WY15020013	GALLEGGIANTE LIVELLO BACINELLA	BUOY WATER LEVEL	FLOTTEUR NIVEAU DE L'EAU	SCHWIMMEN WASSERSTAND
6	WY15048502	GUARNIZIONE ESTERNA A SOFFIETTO	EXTERIOR GASKET WATER TANK	JOINT EXTERIEURE CUVE EAU	WASSERTANK DICHTUNG
7	WY12300057	GUARNIZIONE VASO ACQUA	GASKET WATER TANK	JOINT CUVE EAU	DICHTUNG WASSERTANK
8	WY18250004	MICROINTERRUTTORE	MICROSWITCH	MICRO-INTERRUPTEUR	MIKROSCHALTER
9	WY23500	VITE TPS INOX 3x10/8	STEEL SCREW TPS 3X10/8	VIS INOX TPS 3X10/8	STAHLSCHRAUBE TPS 3X10/8
10	WY18255004	SENSORE MAGNETICO REED	REED SWITCH	CAPTEUR MAGNETIQUE	MAGNETFUHLER
11	WY12300026	GUARNIZIONE OR	O RING GASKET	JOINT OR	OR DICHTUNG
12	WY15006006	VALVOLA FEMMINA VASO ACQUA	VALVE FEMALE WATER TANK	SOUPAPE FEMELLE CUVE EAU	VENTIL NUT WASSERTANK
13	WY83260097R	KIT FILTRO ACQUA	KIT FILTER WATER	KIT FILTRE EAU	KIT FILTER WASSER



Pos	Cod.	Denominazione - IT -	Denomination - GB -	Denomination - FR -	Denomination - DE -
1	WY20299002	TELERUTTORE 230/240V	RELAY SWITCH 230/240V	TELERUPTEUR 230/240V	CONTROL SWITCH 230/240V
1	WY20299004	TELERUTTORE 120V	RELAY SWITCH 120V	TELERUPTEUR 120V	CONTROL SWITCH 120V
2	WY15183037	PROTEZIONE MYLAR TELERUTTORE	MYLAR CONTACTOR PROTECTION	PROTECTION EN MYLAR	SCHUTZ MYLAR
3	WY20300015	TERMOSTATO 169°C	THERMOSTAT 169°C	THERMOSTAT 169°C	THERMOSTAT 169°C
4	WY22625	CAVO 1/2GR RL30/TIMEOUT CON LED	1/2 CABLE TIMEOUT UNIT WITH LED	CABLE 1/2 GR. RL30/TIMEOUT LED	KABEL 1/2GR. RL30/TIMEOUT MIT LED
5	WY18080004	REGOLATORE LIVELLO RL30 220/240V	LEVEL REGULATOR	REGULATEUR DE NIVEAU	NIVEAUREGLER
6	WY18250004	MICROINTERRUTTORE	MICROSWITCH	MICRO-INTERRUPTEUR	MIKROSCHALTER
7	WY18255004	SENSORE MAGNETICO REED	REED SWITCH	CAPTEUR MAGNETIQUE	MAGNETFUHLER
8	WY18263	INTERRUTTORE BIP. NERO LED LUMIN.ROSSO	BIP. LUMIN. BLACK SWITCH	INTER.BIP.LUMIN. NOIR	ZWEIP.SCHALTER M. SCHWARZ LEUCHTE
9	WY19049	COPERTURA INTERRUTTORE	SWITCH COVER	PROTECTION INTERRUPTEUR	SCHALTER ABD.
10	WY10760	BLOCCETTO MASCHIO	MALE BLOCK	MODULE MALE	STECKER
11	WY21023	LAMPADA SPIA ROSSA 230V	RED PILOT LIGHT 230V	LAMPE TEMOIN ROUGE 230V	ROTE KONTROLLEUCHTE 230V
12	WY22803155	CABLAGGIO MICRO LEVETTA	WIRING MICRO LEVER	MICRO LEVIER DE CABLAGE	VERDRAHTUNG MIKROHEBEL
13	WY19108001	FUSIBILE 3AG-T10A CSA/UL 6.3x32mm	FUSE 3AG-T10A CSA/UL 6,3X32MM	FUSIBLE 3AG-T10A CSA/UL 6,3X32MM	SICHERUNG 3AG-T10A CSA/UL 6,3X32MM
14	WY19123	PORTAFUSIBILE 15A 250V UR CSA	FUSE HOLDER 15A	PORTE-FUSIBLE 15A	SICHERUNGSHALTER 15A
15	WY22803156	CABLAGGIO INTERRUTTORE/REED	WIRING SWITCH/REED	COMMUTATEUR DE CABLAGE/REED	KABELSCHALTER/REED
16	WY15061	FERMA CAVO	CABLE HOLDER	FERME-CABLE	KABELSPERRUNG
17	WY22030006	CAVO + SPINA SHUKO L.2000	CABLE+PLUG SHUKO L.2000	CABLE+PRISE SHUKO L.2000	KABEL+STECKER SHUKO L.2000
18	WY22803159	CABLAGGIO SERVIZI/POTENZA MINI WX/2GR A LE	WIRING SERVICE/POWER	SERVICES DE CABLAGE/PUISSANCE	KABEL DIENST.
19	WY20150	PRESSOSTATO SECCO SIRAI 30A	DRY PRESSURE SWITCH SIRAI 30A	PRESSOSTAT SEC SIRAI 30A	TROCKENDRUCKWACHTER SIRAI 30A



Pos	Cod.	Denominazione - IT -	Denomination - GB -	Denomination - FR -	Denomination - DE -
1	WY8327311011R	KIT PORTAFILTRO 1 TAZZA EMA LEGNO	KIT FILTERHOLDER 1 CUP	KIT ENSEMBLE PORTE-FILTRE 1 TASSE	KIT FILTERHALTER EINZELAUSLAUF
2	WY27311011	PORTAFILTRO LAV.+ CROM.-MANOPOLA	FILTERHOLDER DEC+CRO WITHOUT HANDLE	PORTE FILTRE	FILTERHALTER
3	WY27032001	BECCUCCIO 1 TAZZA	SPOUT 1 CUP	BEC 1 TASSE	AUSGUSS 1 TASSE
4	WY15278067	MANOPOLA M12 PORTAFILTRO IN LEGNO	KNOB	BOUTON	DREHKNOFF
5	WY8327311012R	KIT PORTAFILTRO 2 TAZZE EMA LEGNO	KIT FILTERHOLDER 2 CUPS	KIT ENSEMBLE PORTE-FILTRE 2 TASSE	KIT FILTERHALTER EINZELAUSLAUF
6	WY27042001	BECCUCCIO 2 TAZZE	SPOUT 2 CUPS	BEC 2 TASSES	AUSGUSS 2 TASSEN
7	WY27311204	PORTAFILTRO 1 TAZZA COPERTURA NERA SENZA	FILTERHOLDER 1 CUP	PORTE FILTRE 1 TASSE	FILTERHALTER
8	WY27311205	PORTAFILTRO 2 TAZZE COPERTURA NERA SENZA	FILTER HOLDER 2 CUPS	PORTE FILTER 2 TASSES	FILTERHALTER
9	WY27171	FILTRO INOX 2 TAZZE H.24,5 E/61	E/61 2 CUPS S.STEEL FILTER H.24,5	FILTRE INOX 2 TASSES E/61 H.24,5	EDELSTAHL-FILTER 2 TASSEN E/61 H.24,5
9	WY27171000	FILTRO INOX 2T E/61 D.FORI 0,25	E/61 2 CUP S.STEEL FILTER HOLE D.0,25	FILTRE INOX 2 TASSES E/61 TROU D.0,25	FILTER 2 TASSEN E61 AUSSPARUNG D.0,25
10	WY27255	MOLLA FERMAFILTRO	FILTER HOLDER SPRING	RESSORT FERME-FILTRE	FEDER FUR FILTERHALTER
11	WY27173	FILTRO INOX 2 TAZZE CIECO	2 CUPS STAINLESS STEEL BLIND FILTER	FILTRE INOX 2 TASSES AVEUGLE	GESCHLOSSENER FILTER 2 TASSEN
12	WY27142	FILTRO INOX 1 TAZZA E/61 H.24	E/61 1 CUP S.STEEL FILTER H.24	FILTRE INOX 1 TASSE E/61 H.24	EDELSTAHL-FILTER 1 TASSE E/61 H.24
12	WY27142000	FILTRO INOX 1T E/61+CAN. DIAM.FORI 0,25	E/61 1 CUP S.STEEL FILTER HOLE D.0,25	FILTRE INOX 1 TASSE E/61 TROU D.0,25	FILTER 1 TASSE E/61 AUSSPARUNG D.0,25