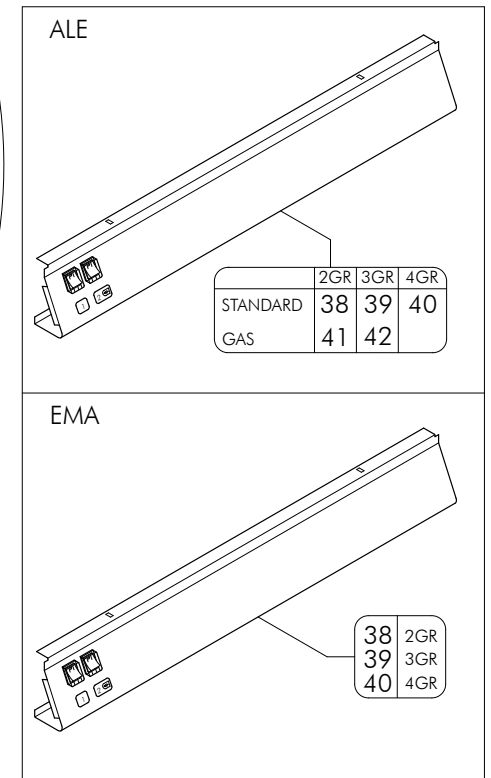
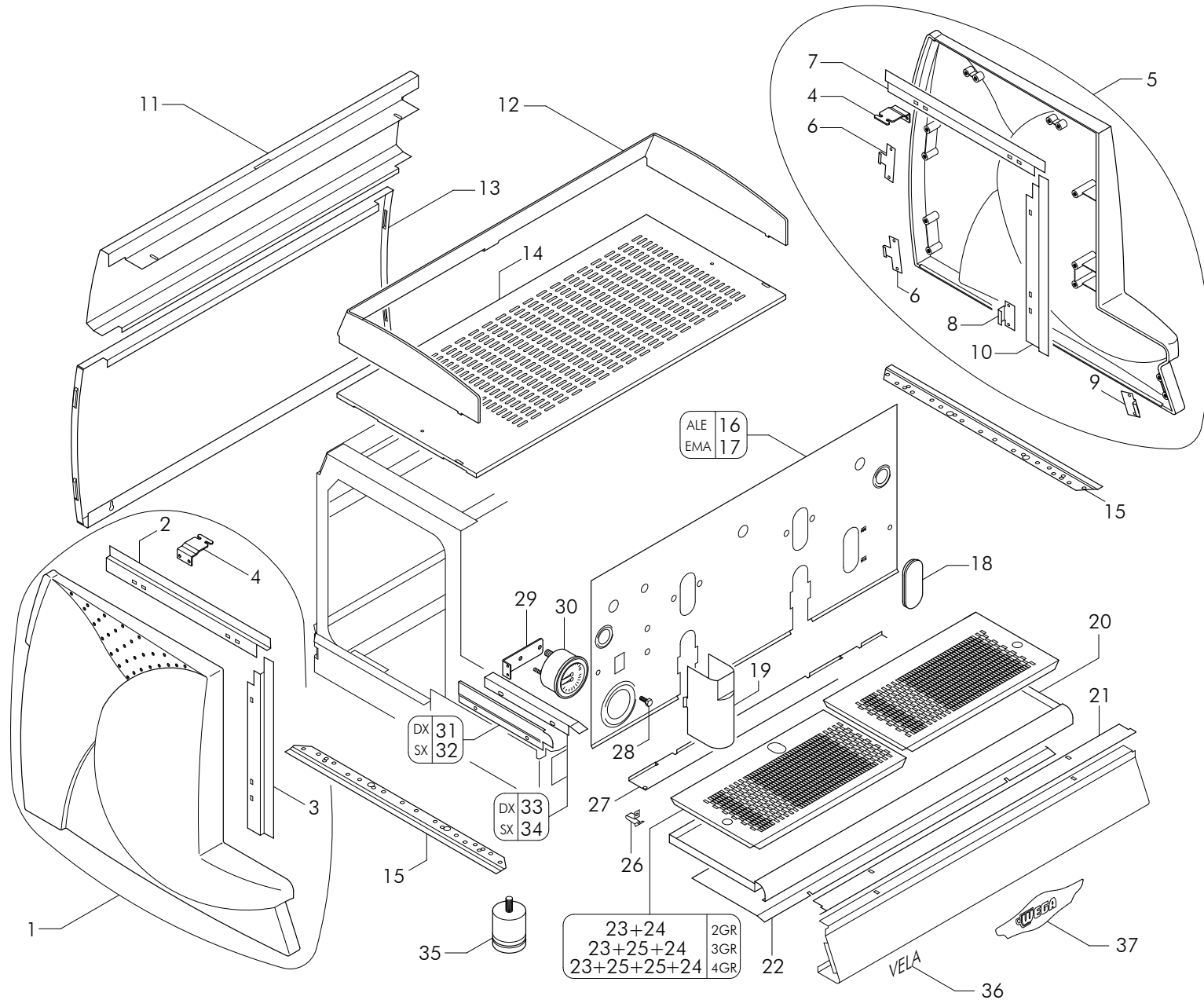


Tav.		Pag.	Rev.	Data
	Carrozzeria - Body parts - Carrosserie - Karosserie			
VV-01	Sabbia - Sand - Sable - Sand	02	00	11/2016
VV-02	Cromo - Chrome - Chromé - Chrom	05	00	11/2016
	Lancia - Tube - Tuyau - Rohr			
VV-21	Vapore - Steam - Vapeur - Dampf	08	00	11/2016
VV-22	Acqua - Water - Eau - Wasser	10	00	11/2016
	Gruppo - Group - Groupe - Gruppe			
VV-31	ALE Plastica - ALE Plastic - ALE Plastique - ALE Kunststoff	12	00	11/2016
VV-32	ALE Legno - ALE Wood - ALE Bois - ALE Holz	15	00	11/2016
VV-33	EMA Plastica - EMA Plastic - EMA Plastique - EMA Kunststoff	18	00	11/2016
VV-34	EMA Legno - EMA Wood - EMA Bois - EMA Holz	20	00	11/2016
	Caldaia - Boiler - Chaudiere - Kessel			
VV-41	ALE 2GR	22	00	11/2016
VV-42	ALE 3GR	24	00	11/2016
VV-43	ALE 4GR	26	00	11/2016
VV-44	EMA 2GR	28	00	11/2016
VV-45	EMA 3GR	30	00	11/2016
VV-46	EMA 4GR	32	00	11/2016
	Impianti idraulici - Hydraulic circuits - Circuits hydrauliques - Wasser anlage			
VV-51	ALE 2GR	34	00	11/2016
VV-52	ALE 3GR	36	00	11/2016
VV-53	ALE 4GR	38	00	11/2016
VV-54	EMA 2GR	40	00	11/2016
VV-55	EMA 3GR	43	00	11/2016
VV-56	EMA 4GR	46	00	11/2016
	Impianti elettrici - Electrical systems - Circuits electriques - Strom anlage			
VV-61	ALE - EMA	49	00	11/2016
VV-62	Scaldatasse - Cup heating - Chauffe tasses - Tassenwarmer	51	00	11/2016
VV-71	Impianto Gas - Gas system - Installation Gaz - Gasanlage	53	00	11/2016
	Motopompa - Motor pump - Motopompe - Motor pump			
VV-81	Interna Compatta - Internal Compact - Intérieur Compact - Innen Kompakt	55	00	11/2016
VV-82	Interna - Internal - Intérieur - Innen	57	00	11/2016
VV-91	Filtri e portafiltri - Filters & filters holder - Filtres et porta filtres - Filter und filterhalter	59	00	11/2016

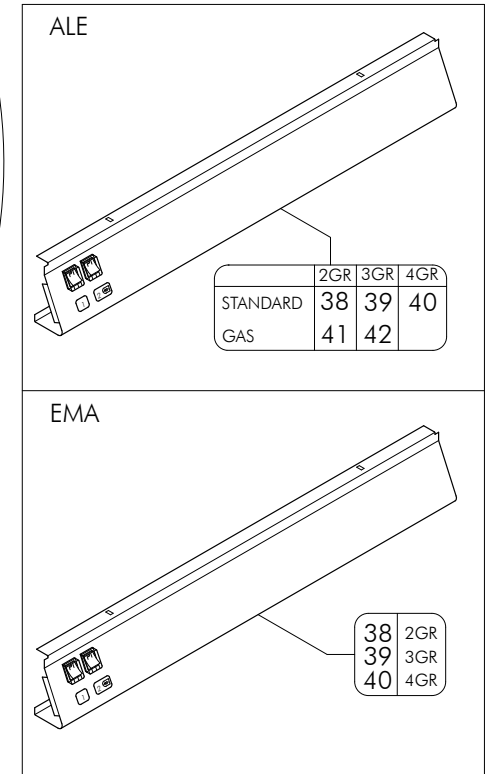
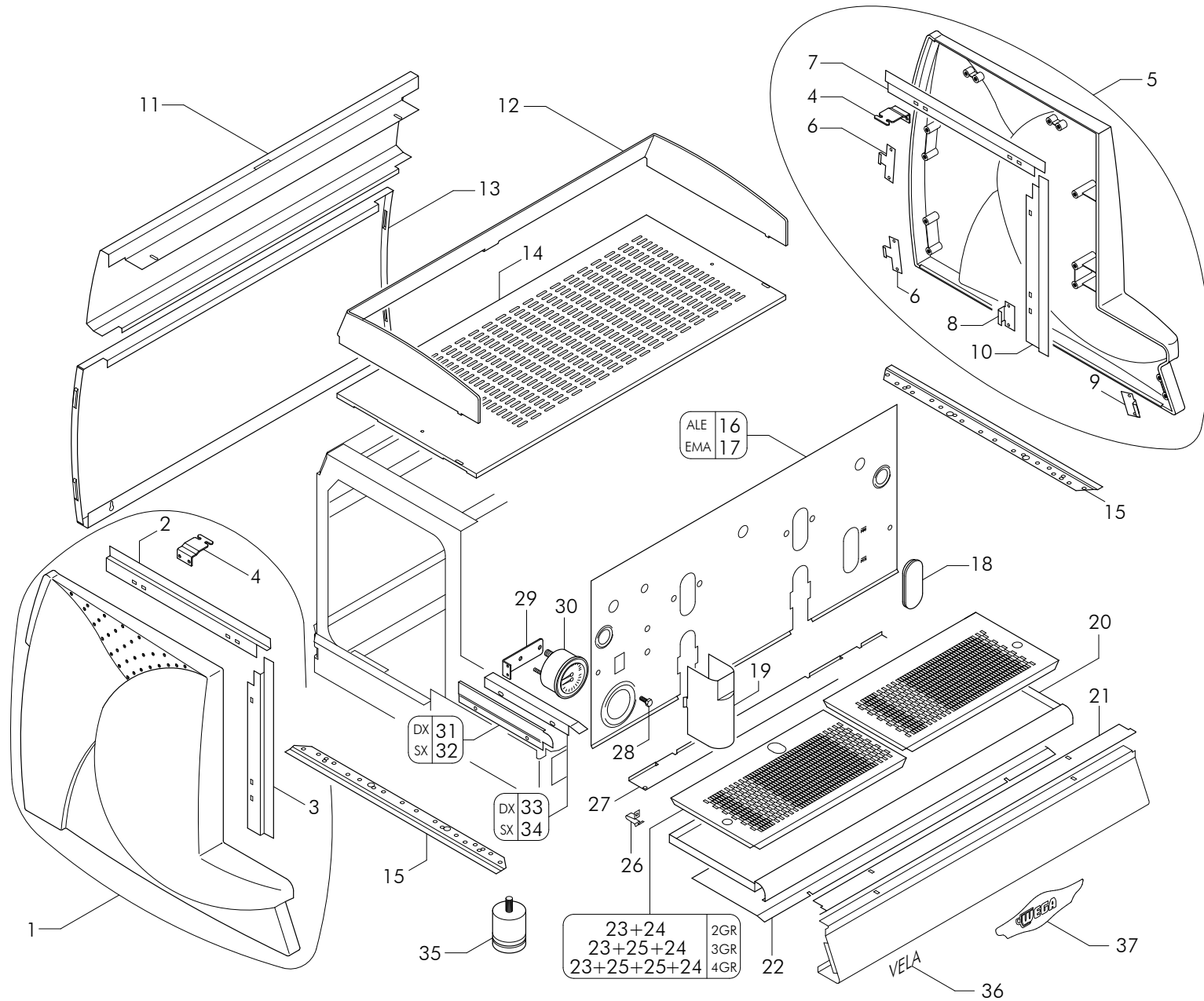


SABBIA - SAND - SABLE - SAND

Pos	Cod.	Denominazione - IT -	Denomination - GB -	Denomination - FR -	Denomination - DE -
1	WY56910219	FIANCO ASSIEMATO SINISTRO SABBIA	LEFT SIDE ASSEMBLY SAND	ASSEMBLE COTE GAUCHE SABLE	LINKE SEITE SAND
2	WY77607074	STAFFA SINISTRA SUPERIORE COPRIFIANCO INOX	SUP.BRACKET LEFT SIDE COVER	ETAGERE COTE GAUCHE	STIRNTAFEL LINKE SEITE
3	WY77607073	STAFFA SINISTRA SUPPORTO FERMAFIANCO INOX	SUPPORT BRACKET LEFT SIDE STOPPER	SUPPORT COTE GAUCHE	HALTER LINKE SEITE
4	WY77607008	STAFFA SUPERIORE FIANCO	TOP SIDE BRACKET	ETRIER COTE SUP.	SEITE BUGEL OBEN
5	WY56910218	FIANCO ASSIEMATO DESTRO SABBIA	RIGHT SIDE ASSEMBLY SAND	ASSEMBLE COTE DROITE SABLE	RECHTE SEITE SAND
6	WY77607006	STAFFA POSTERIORE FIANCO	REAR SIDE BRACKET	PLATINE ARRIERE COTE	HINTERER BUEGEL SEITENBLLENDE
7	WY77607028	STAFFA DESTRA SUPERIORE COPRIFIANCO INOX	SUP.BRACKET RIGHT SIDE COVER	ETAGERE COTE DROITE	STIRNTAFEL RECHTE SEITE
8	WY77607029	STAFFA DESTRA-SINISTRA CENTRALE FIANCO	CENTRE SIDE BRACKET	BRIDE CENTRALE COTE	ZENTRAL BUGEL F. SEITENWAND
9	WY77607007	STAFFA ANTERIORE FIANCO	FRONT SIDE BRACKET	ETRIER COTE ANT.	SEITE BUGEL VORNE
10	WY77607027	STAFFA DESTRA SUPPORTO FERMAFIANCO INOX	SUPPORT BRACKET LEFT SIDE STOPPER	SUPPORT COTE DROITE	RECHTE LINKE SEITE
11	WY75288533	PANN.POST.SUP.2GR RAL 1035	BACK TOP PANEL 1GR RAL 1035	PANNEAU POST.SUP.1GR RAL 1035	TAFEL AUFBAU HINTEN OBEN 1GR RAL 1035
11	WY75288535	PANN.POST.SUP.3GR RAL 1035	BACK TOP PANEL 3GR RAL 1035	PANNEAU POST.SUP.3GR RAL 1035	TAFEL AUFBAU HINTEN OBEN 3GR RAL 1035
11	WY75288537	PANN.POST.SUP.4GR RAL 1035	BACK TOP PANEL 4GR RAL 1035	PANNEAU POST.SUP.4GR RAL 1035	TAFEL AUFBAU HINTEN OBEN 4GR RAL 1035
12	WY21165016	PLEXIGLASS 2GR VELA VINTAGE	PLEXIGLASS 2GR	PLEXIGLASS 2GR	PLEXIGLASS 2GR
12	WY21165017	PLEXIGLASS 3GR VELA VINTAGE	PLEXIGLASS 3GR	PLEXIGLASS 3GR	PLEXIGLASS 3GR
12	WY21165018	PLEXIGLASS 4GR VELA VINTAGE	PLEXIGLASS 4GR	PLEXIGLASS 4GR	PLEXIGLASS 4GR
13	WY75288532	PANN.POST.INF.2GR RAL 1035	BACK LOWER PANEL 2GR RAL 1035	PANNEAU POST.INF.2GR RAL 1035	TAFEL AUFBAU HINTEN UNTEN 2GR RAL 1035
13	WY75288534	PANN.POST.INF.3GR RAL 1035	BACK LOWER PANEL 3GR RAL 1035	PANNEAU POST.INF.3GR RAL 1035	TAFEL AUFBAU HINTEN UNTEN 3GR RAL 1035
13	WY75288536	PANN.POST.INF.4GR RAL 1035	BACK LOWER PANEL 4GR RAL 1035	PANNEAU POST.INF.4GR RAL 1035	TAFEL AUFBAU HINTEN UNTEN 4GR RAL 1035
14	WY76100181	GRIGLIA SUPERIORE 2GR VELA VINTAGE INOX/SP	TOP GRATE 2GR S.STEEL	GRILLE SUP.2GR INOX	OBERGITTER 2GR STAHL
14	WY76100182	GRIGLIA SUPERIORE 3GR VELA VINTAGE INOX/SP	TOP GRATE 3GR S.STEEL	GRILLE SUP.3GR INOX	OBERGITTER 3GR STAHL
14	WY76100183	GRIGLIA SUPERIORE 4GR VELA VINTAGE INOX/SP	TOP GRATE 4GR S.STEEL	GRILLE SUP.4GR INOX	OBERGITTER 4GR STAHL
15	WY77607062	SUPPORTO DESTRO-SINISTRO FIANCO	RH-LH SUPPORT	SUPPORT DX-SX	RECHTS/LINKS HALTER
16	WY77053990	COPRICALDAIA ALE/2 INOX/SPAZZOLATO	S.STEEL BOILER-COVER ALE/2	COUVRE-CHAUDIERE INOX ALE/2	STAHL KESSELDECKEL ALE/2
16	WY77053991	COPRICALDAIA ALE/3 INOX/SPAZZOLATO	S.STEEL BOILER-COVER ALE/3	COUVRE-CHAUDIERE INOX ALE/3	STAHL KESSELDECKEL ALE/3
16	WY77053992	COPRICALDAIA ALE/4 INOX/SPAZZOLATO	S.STEEL BOILER-COVER ALE/3	COUVRE-CHAUDIERE INOX ALE/3	STAHL KESSELDECKEL ALE/3
17	WY77053971	COPRICALDAIA EMA/2GR STD VELA VINTAGE INOX	S.STEEL BOILER-COVER EMA/2GR STD	COUVRE-CHAUDIERE INOX EMA/2GR STD	STAHL KESSELDECKEL EMA/2GR STD
17	WY77053972	COPRICALDAIA EMA/3GR STD VELA VINTAGE INOX	S.STEEL BOILER-COVER EMA/3GR STD	COUVRE-CHAUDIERE INOX EMA/3GR STD	STAHL KESSELDECKEL EMA/3GR STD
17	WY77053973	COPRICALDAIA EMA/4GR STD VELA VINTAGE INOX	S.STEEL BOILER-COVER EMA/4GR STD	COUVRE-CHAUDIERE INOX EMA/4GR STD	STAHL KESSELDECKEL EMA/4GR STD
18	WY21202	SEGNALIVELLO	LEVEL INDICATOR	SIGNAL NIVEAU	FARBLOSER NIVEAUANZEIGER
19	WY77604	COPRIELETTRORVALVOLVA AEA	AEA SOLENOID VALVE COVER	COUVRE-ELECTROVANNE AEA	ABDECKUNG ELEKTROVENTIL AEA
20	WY76098002	BACINELLA 2GR INOX LUCIDO	SILV.BRIGHT STEEL 2GR TRAY	CUVE 2GR INOX BRILLANT	STAHLSCHALE 2GR
20	WY76098003	BACINELLA 3GR INOX LUCIDO	SILV.BRIGHT STEEL 3GR TRAY	CUVE 3GR INOX BRILLANT	STAHLSCHALE 3GR
20	WY76098004	BACINELLA 4GR INOX LUCIDO	SILV.BRIGHT STEEL 4GR TRAY	CUVE 4GR INOX BRILLANT	STAHLSCHALE 4GR
21	WY77558012	PROFILO SOTTO BACINELLA 2GR VELA	UNDER BASIN PROFILE 2GR	PROFIL SOUS CUVE 2GR	UNTER SCHALE PROFIL 2GR
21	WY77558013	PROFILO SOTTO BACINELLA 3GR VELA	UNDER BASIN PROFILE 3GR	PROFIL SOUS CUVE 3GR	UNTER SCHALE PROFIL 3GR
21	WY77558014	PROFILO SOTTO BACINELLA 4GR VELA	UNDER BASIN PROFILE 4GR	PROFIL SOUS CUVE 4GR	UNTER SCHALE PROFIL 4GR
22	WY77558016	PROTEZIONE SOTTO BACINELLA 2GR VELA	UNDER BASIN PROTECTION 2GR	PROTECTION SOUS CUVE 2GR	UNTER SCHALE SCHUTZ 2GR
22	WY77558017	PROTEZIONE SOTTO BACINELLA 3GR VELA	UNDER BASIN PROTECTION 3GR	PROTECTION SOUS CUVE 3GR	UNTER SCHALE SCHUTZ 3GR
22	WY77558018	PROTEZIONE SOTTO BACINELLA 4GR VELA	UNDER BASIN PROTECTION 4GR	PROTECTION SOUS CUVE 4GR	UNTER SCHALE SCHUTZ 4GR

SABBIA - SAND - SABLE - SAND

Pos	Cod.	Denominazione - IT -	Denomination - GB -	Denomination - FR -	Denomination - DE -
23	WY76154000	GRIGLIA INF.DESTRA INOX LUC.338.5x201	RIGHT LOWER GRILL -SHINY S.STEEL	GRILLE INF.DROIT INOX 338,5x201	STAHL-UNTER-RECHTEGITTER 338,5x201
24	WY76155000	GRIGLIA INF.SINISTRA INOX LUC.338.5x201	LEFT LOWER GRILL - SHINY S.STEEL	GRILLE INF.GAUCHE INOX 338,5x201	STAHL-UNTER-LINKEGITTER 338,5x201
25	WY76156000	GRIGLIA INFERIORE INOX LUC.	LOWER GRILL - SHINY S.STEEL	GRILLE INF.INOX	STAHL-UNTERGITTER
26	WY10471	MOLLA FERMA BACINELLA	TRAY STOP SPRING	RESSORT ARRET BAC	FEDER F. BECKENBEFESTIGUNG
27	WY77278523	COPRIMPIANTO 2GR VELA	S.STEEL CABLE-COVER 2GR	COUVE-CABLAGE INOX 2GR	STAHL VERDRAHTUGDECKEL 2GR
27	WY77278524	COPRIMPIANTO 3GR VELA	S.STEEL CABLE-COVER 3GR	COUVRE-CABLAGE INOX 3GR	STAHL VERDRAHTUNGDECKEL 3GR
27	WY77278525	COPRIMPIANTO 4GR VELA	S.STEEL CABLE-COVER 4GR	COUVRE-CABLAGE INOX 4GR	STAHL VERDRAHTUNGDECKEL 4GR
28	WY23420001	VITE TE BOMBATA M6x12 OT/Ni	M6x12NICKEL-PLATED BRASS HEX.HEAD SCREW	VIS TH LAITON M6x12 NICKELEE	SECHSKANTSCHRAUBE AUS MESSING M6x12
29	WY78150076	SUPPORTO MANOMETRO	GAUGE SUPPORT 1>4GR	SUPPORT MANOMETRE 1>4GR	MANOMETERHALTER 1>4GR
30	WY4621117	MANOMETRO TONDO 3 Atm CW510L	PRESSURE GAUGE	MANOMETRE	MANOMETER
31	WY77742016	DISTANZIALE GUIDA BACINELLA DESTRA	RH SPACER GLOSSY	ENTRETOISE CUVE DROITE	RECHTS DISTANZSTUCK
32	WY77742017	DISTANZIALE GUIDA BACINELLA SX VELA	LH SPACER GLOSSY	ENTRETOISE CUVE GAUCHE	LINKS DISTANZSTUCK
33	WY77742002	GUIDA DESTRA TELAIO BACINELLA	RIGHT TRAY GUIDE	GUIDEE DROITE BAC POUR CHASSIS	SCHIENE RECHTS BECKEN RAHMEN
34	WY77742006	GUIDA SINISTRA TELAIO BACINELLA	LEFT TRAY GUIDE	GUIDEE GAUCHE BAC POUR CHASSIS	SCHIENE LINKS BECKEN RAHMEN
35	WY15318002	PIEDINO REGOLABILE INOX/SAT H55/69 D-58	ADJUSTABLE FOOT	PIED REGLABLE	REGELBARER FUSS
36	WY29089374	ETICHETTA WEGA ROSSA 50x140	ADHESIVE LABEL WEGA RED 50X140	ETIQUETTE ADHESIVE	KLEBEETIKETT
37	WY29089381	TARGHETTA ADESIVA CROMO/NERO	ADHESIVE LABEL	ETIQUETTE ADHESIVE	KLEBEETIKETT
38	WY56900797	BAS.ANT.ASS.EMA/2 VELA VINTAGE INOX	ASS.BASE SURROUND EMA/2 S.STEEL	ENSEMBLE PROFILS BASE EMA/2 INOX	STAHL GRUNDPROFIL EMA/2 GRUPPE
39	WY56900798	BAS.ANT.ASS.EMA/3 VELA VINTAGE INOX	ASS.BASE SURROUND EMA/3 S.STEEL	ENSEMBLE PROFILS BASE EMA/3 INOX	STAHL GRUNDPROFIL EMA/3 GRUPPE
40	WY56900799	BAS.ANT.ASS.EMA/4 VELA VINTAGE INOX	ASS.BASE SURROUND EMA/4 S.STEEL	ENSEMBLE PROFILS BASE EMA/4 INOX	STAHL GRUNDPROFIL EMA/4 GRUPPE
41	WY56900793	BAS.ANT.ASS.EMA/3+GAS VELA VINTAGE INOX	ASS.BASE SURROUND EMA/3 S.STEEL	ENSEMBLE PROFILS BASE EMA/3 INOX	STAHL GRUNDPROFIL EMA/3 GRUPPE
42	WY56900794	BAS.ANT.ASS.EMA/3+GAS VELA VINTAGE INOX	ASS.BASE SURROUND EMA/3 S.STEEL	ENSEMBLE PROFILS BASE EMA/3 INOX	STAHL GRUNDPROFIL EMA/3 GRUPPE

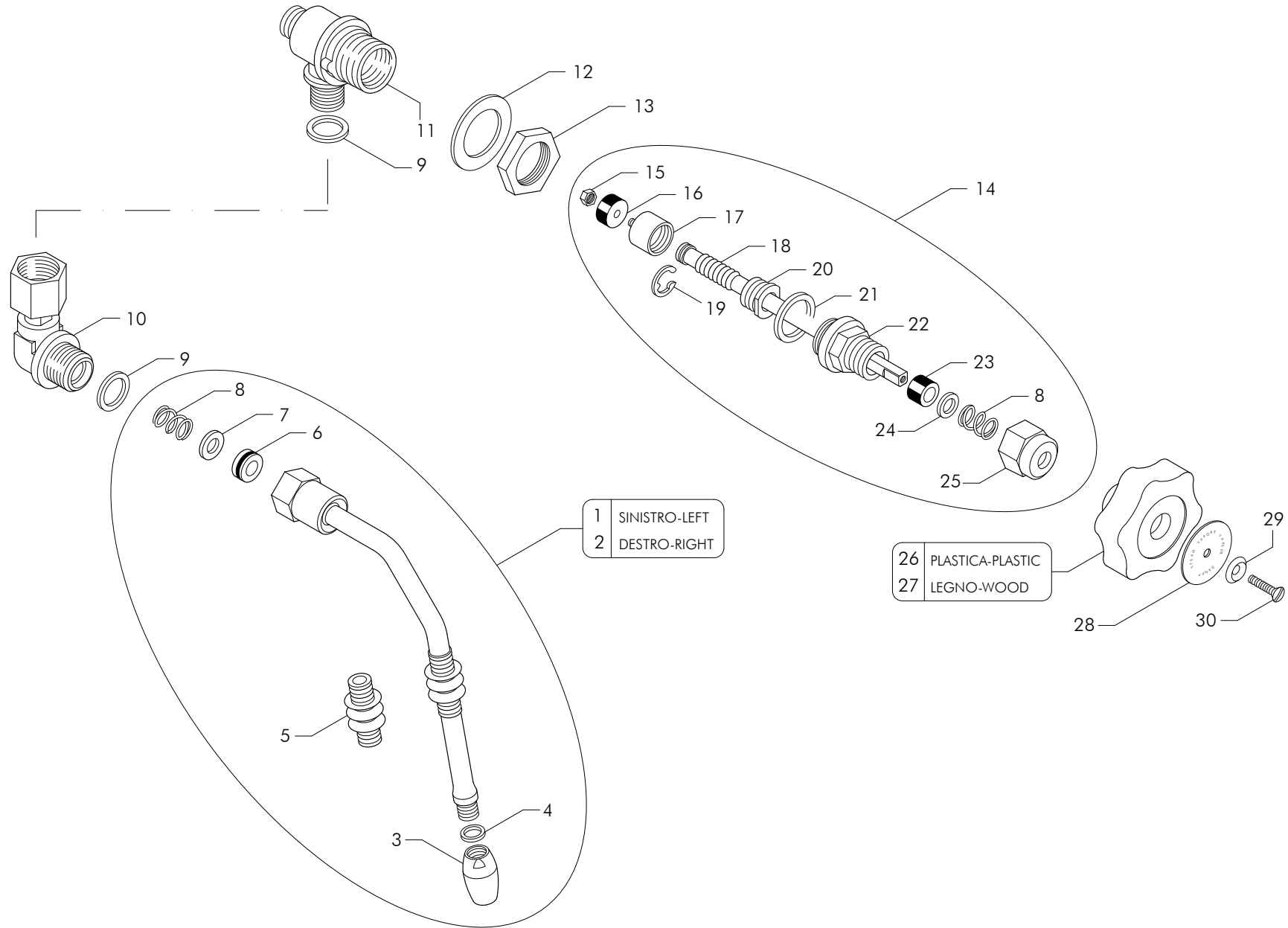


CROMO - CHROME - CHROMÉ - CHROM

Pos	Cod.	Denominazione - IT -	Denomination - GB -	Denomination - FR -	Denomination - DE -
1	WY56910217	FIANCO ASSIEMATO SINISTRO CROMATO	LEFT SIDE ASSEMBLY CHROMIUM	ASSEMBLE COTE GAUCHE CHROME	LINKE SEITE CHROM
2	WY77607074	STAFFA SINISTRA SUPERIORE COPRIFIANCO INOX	SUP.BRACKET LEFT SIDE COVER	ETAGERE COTE GAUCHE	STIRNTAFEL LINKE SEITE
3	WY77607073	STAFFA SINISTRA SUPPORTO FERMAFIANCO INOX	SUPPORT BRACKET LEFT SIDE STOPPER	SUPPORT COTE GAUCHE	HALTER LINKE SEITE
4	WY77607008	STAFFA SUPERIORE FIANCO	TOP SIDE BRACKET	ETRIER COTE SUP.	SEITE BUGEL OBEN
5	WY56910216	FIANCO ASSIEMATO DESTRO CROMATO	RIGHT SIDE ASSEMBLY CHROMIUM	ASSEMBLE COTE DROITE CHROME	RECHTE SEITE CHROM
6	WY77607006	STAFFA POSTERIORE FIANCO	REAR SIDE BRACKET	PLATINE ARRIERE COTE	HINTERER BUEGEL SEITENBLLENDE
7	WY77607028	STAFFA DESTRA SUPERIORE COPRIFIANCO INOX	SUP.BRACKET RIGHT SIDE COVER	ETAGERE COTE DROITE	STIRNTAFEL RECHTE SEITE
8	WY77607029	STAFFA DESTRA-SINISTRA CENTRALE FIANCO	CENTRE SIDE BRACKET	BRIDE CENTRALE COTE	ZENTRAL BUGEL F. SEITENWAND
9	WY77607007	STAFFA ANTERIORE FIANCO	FRONT SIDE BRACKET	ETRIER COTE ANT.	SEITE BUGEL VORNE
10	WY77607027	STAFFA DESTRA SUPPORTO FERMAFIANCO INOX	SUPPORT BRACKET LEFT SIDE STOPPER	SUPPORT COTE DROITE	RECHTE LINKE SEITE
11	WY75288503	PANN.POST.SUP.2GR INOX	BACK TOP PANEL 2GR S.STEEL	PANNEAU POST.SUP.2GR INOX	STAHL TAFEL AUFBAU HINTEN OBEN 2GR
11	WY75288505	PANN.POST.SUP.3GR INOX	BACK TOP PANEL 3GR S.STEEL	PANNEAU POST.SUP.3GR INOX	STAHL TAFEL AUFBAU HINTEN OBEN 3GR
11	WY75288507	PANN.POST.SUP.4GR INOX	BACK TOP PANEL 4GR S.STEEL	PANNEAU POST.SUP.4GR INOX	STAHL TAFEL AUFBAU HINTEN OBEN 4GR
12	WY21165016	PLEXIGLASS 2GR VELA VINTAGE	PLEXIGLASS 2GR	PLEXIGLASS 2GR	PLEXIGLASS 2GR
12	WY21165017	PLEXIGLASS 3GR VELA VINTAGE	PLEXIGLASS 3GR	PLEXIGLASS 3GR	PLEXIGLASS 3GR
12	WY21165018	PLEXIGLASS 4GR VELA VINTAGE	PLEXIGLASS 4GR	PLEXIGLASS 4GR	PLEXIGLASS 4GR
13	WY75288502	PANN.POST.INF.2GR INOX	BACK LOWER PANEL 2GR S.STEEL	PANNEAU POST.INF.2GR INOX	STAHL TAFEL AUFBAU HINTEN UNTEN 2GR
13	WY75288504	PANN.POST.INF.3GR INOX	BACK LOWER PANEL 3GR S.STEEL	PANNEAU POST.INF.3GR INOX	STAHL TAFEL AUFBAU HINTEN UNTEN 3GR
13	WY75288506	PANN.POST.INF.4GR INOX	BACK LOWER PANEL 4GR S.STEEL	PANNEAU POST.INF.4GR INOX	STAHL TAFEL AUFBAU HINTEN UNTEN 4GR
14	WY76100181	GRIGLIA SUPERIORE 2GR VELA VINTAGE INOX/SP	TOP GRATE 2GR S.STEEL	GRILLE SUP.2GR INOX	OBERGITTER 2GR STAHL
14	WY76100182	GRIGLIA SUPERIORE 3GR VELA VINTAGE INOX/SP	TOP GRATE 3GR S.STEEL	GRILLE SUP.3GR INOX	OBERGITTER 3GR STAHL
14	WY76100183	GRIGLIA SUPERIORE 4GR VELA VINTAGE INOX/SP	TOP GRATE 4GR S.STEEL	GRILLE SUP.4GR INOX	OBERGITTER 4GR STAHL
15	WY77607062	SUPPORTO DESTRO-SINISTRO FIANCO	RH-LH SUPPORT	SUPPORT DX-SX	RECHTS/LINKS HALTER
16	WY77053990	COPRICALDAIA ALE/2 INOX/SPAZZOLATO	S.STEEL BOILER-COVER ALE/2	COUVRE-CHAUDIERE INOX ALE/2	STAHL KESSELDECKEL ALE/2
16	WY77053991	COPRICALDAIA ALE/3 INOX/SPAZZOLATO	S.STEEL BOILER-COVER ALE/3	COUVRE-CHAUDIERE INOX ALE/3	STAHL KESSELDECKEL ALE/3
16	WY77053992	COPRICALDAIA ALE/4 INOX/SPAZZOLATO	S.STEEL BOILER-COVER ALE/3	COUVRE-CHAUDIERE INOX ALE/3	STAHL KESSELDECKEL ALE/3
17	WY77053971	COPRICALDAIA EMA/2GR STD VELA VINTAGE INOX	S.STEEL BOILER-COVER EMA/2GR STD	COUVRE-CHAUDIERE INOX EMA/2GR STD	STAHL KESSELDECKEL EMA/2GR STD
17	WY77053972	COPRICALDAIA EMA/3GR STD VELA VINTAGE INOX	S.STEEL BOILER-COVER EMA/3GR STD	COUVRE-CHAUDIERE INOX EMA/3GR STD	STAHL KESSELDECKEL EMA/3GR STD
17	WY77053973	COPRICALDAIA EMA/4GR STD VELA VINTAGE INOX	S.STEEL BOILER-COVER EMA/4GR STD	COUVRE-CHAUDIERE INOX EMA/4GR STD	STAHL KESSELDECKEL EMA/4GR STD
18	WY21202	SEGNALIVELLO	LEVEL INDICATOR	SIGNAL NIVEAU	FARBLOSER NIVEAUANZEIGER
19	WY77604	COPRIELETTRORVALVOLVA AEA	AEA SOLENOID VALVE COVER	COUVRE-ELECTROVANNE AEA	ABDECKUNG ELEKTROVENTIL AEA
20	WY76098002	BACINELLA 2GR INOX LUCIDO	SILV.BRIGHT STEEL 2GR TRAY	CUVE 2GR INOX BRILLANT	STAHLSCHALE 2GR
20	WY76098003	BACINELLA 3GR INOX LUCIDO	SILV.BRIGHT STEEL 3GR TRAY	CUVE 3GR INOX BRILLANT	STAHLSCHALE 3GR
20	WY76098004	BACINELLA 4GR INOX LUCIDO	SILV.BRIGHT STEEL 4GR TRAY	CUVE 4GR INOX BRILLANT	STAHLSCHALE 4GR
21	WY77558012	PROFILO SOTTO BACINELLA 2GR VELA	UNDER BASIN PROFILE 2GR	PROFIL SOUS CUVE 2GR	UNTER SCHALE PROFIL 2GR
21	WY77558013	PROFILO SOTTO BACINELLA 3GR VELA	UNDER BASIN PROFILE 3GR	PROFIL SOUS CUVE 3GR	UNTER SCHALE PROFIL 3GR
21	WY77558014	PROFILO SOTTO BACINELLA 4GR VELA	UNDER BASIN PROFILE 4GR	PROFIL SOUS CUVE 4GR	UNTER SCHALE PROFIL 4GR
22	WY77558016	PROTEZIONE SOTTO BACINELLA 2GR VELA	UNDER BASIN PROTECTION 2GR	PROTECTION SOUS CUVE 2GR	UNTER SCHALE SCHUTZ 2GR
22	WY77558017	PROTEZIONE SOTTO BACINELLA 3GR VELA	UNDER BASIN PROTECTION 3GR	PROTECTION SOUS CUVE 3GR	UNTER SCHALE SCHUTZ 3GR
22	WY77558018	PROTEZIONE SOTTO BACINELLA 4GR VELA	UNDER BASIN PROTECTION 4GR	PROTECTION SOUS CUVE 4GR	UNTER SCHALE SCHUTZ 4GR

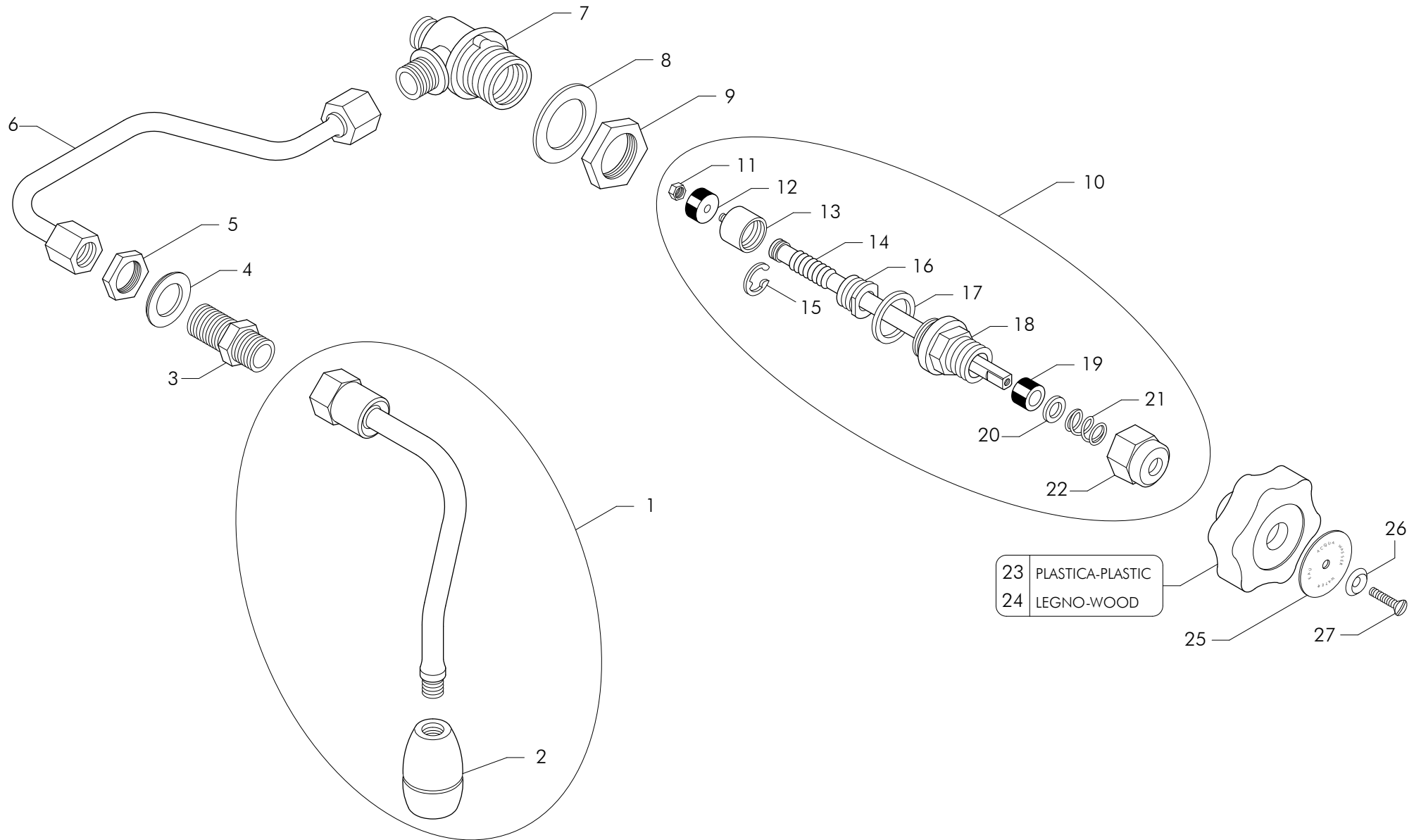
CROMO - CHROME - CHROMÉ - CHROM

Pos	Cod.	Denominazione - IT -	Denomination - GB -	Denomination - FR -	Denomination - DE -
23	WY76154000	GRIGLIA INF.DESTRA INOX LUC.338.5x201	RIGHT LOWER GRILL -SHINY S.STEEL	GRILLE INF.DROIT INOX 338,5x201	STAHL-UNTER-RECHTEGITTER 338,5x201
24	WY76155000	GRIGLIA INF.SINISTRA INOX LUC.338.5x201	LEFT LOWER GRILL - SHINY S.STEEL	GRILLE INF.GAUCHE INOX 338,5x201	STAHL-UNTER-LINKEGITTER 338,5x201
25	WY76156000	GRIGLIA INFERIORE INOX LUC.	LOWER GRILL - SHINY S.STEEL	GRILLE INF.INOX	STAHL-UNTERGITTER
26	WY10471	MOLLA FERMA BACINELLA	TRAY STOP SPRING	RESSORT ARRET BAC	FEDER F. BECKENBEFESTIGUNG
27	WY77278523	COPRIMPIANTO 2GR VELA	S.STEEL CABLE-COVER 2GR	COUVE-CABLAGE INOX 2GR	STAHL VERDRAHTUGDECKEL 2GR
27	WY77278524	COPRIMPIANTO 3GR VELA	S.STEEL CABLE-COVER 3GR	COUVRE-CABLAGE INOX 3GR	STAHL VERDRAHTUNGDECKEL 3GR
27	WY77278525	COPRIMPIANTO 4GR VELA	S.STEEL CABLE-COVER 4GR	COUVRE-CABLAGE INOX 4GR	STAHL VERDRAHTUNGDECKEL 4GR
28	WY23420001	VITE TE BOMBATA M6x12 OT/Ni	M6x12NICKEL-PLATED BRASS HEX.HEAD SCREW	VIS TH LAITON M6x12 NICKELEE	SECHSKANTSCHRAUBE AUS MESSING M6x12
29	WY78150076	SUPPORTO MANOMETRO	GAUGE SUPPORT 1>4GR	SUPPORT MANOMETRE 1>4GR	MANOMETERHALTER 1>4GR
30	WY4621117	MANOMETRO TONDO 3 Atm CW510L	PRESSURE GAUGE	MANOMETRE	MANOMETER
31	WY77742016	DISTANZIALE GUIDA BACINELLA DESTRA	RH SPACER GLOSSY	ENTRETOISE CUVE DROITE	RECHTS DISTANZSTUCK
32	WY77742017	DISTANZIALE GUIDA BACINELLA SX VELA	LH SPACER GLOSSY	ENTRETOISE CUVE GAUCHE	LINKS DISTANZSTUCK
33	WY77742002	GUIDA DESTRA TELAIO BACINELLA	RIGHT TRAY GUIDE	GUIDEE DROITE BAC POUR CHASSIS	SCHIENE RECHTS BECKEN RAHMEN
34	WY77742006	GUIDA SINISTRA TELAIO BACINELLA	LEFT TRAY GUIDE	GUIDEE GAUCHE BAC POUR CHASSIS	SCHIENE LINKS BECKEN RAHMEN
35	WY15318002	PIEDINO REGOLABILE INOX/SAT H55/69 D-58	ADJUSTABLE FOOT	PIED REGLABLE	REGELBARER FUSS
36	WY29089374	ETICHETTA WEGA ROSSA 50x140	ADHESIVE LABEL WEGA RED 50X140	ETIQUETTE ADHESIVE	KLEBEETIKETT
37	WY29089381	TARGHETTA ADESIVA CROMO/NERO	ADHESIVE LABEL	ETIQUETTE ADHESIVE	KLEBEETIKETT
38	WY56900797	BAS.ANT.ASS.EMA/2 VELA VINTAGE INOX	ASS.BASE SURROUND EMA/2 S.STEEL	ENSEMBLE PROFILS BASE EMA/2 INOX	STAHL GRUNDPROFIL EMA/2 GRUPPE
39	WY56900798	BAS.ANT.ASS.EMA/3 VELA VINTAGE INOX	ASS.BASE SURROUND EMA/3 S.STEEL	ENSEMBLE PROFILS BASE EMA/3 INOX	STAHL GRUNDPROFIL EMA/3 GRUPPE
40	WY56900799	BAS.ANT.ASS.EMA/4 VELA VINTAGE INOX	ASS.BASE SURROUND EMA/4 S.STEEL	ENSEMBLE PROFILS BASE EMA/4 INOX	STAHL GRUNDPROFIL EMA/4 GRUPPE
41	WY56900793	BAS.ANT.ASS.EMA/3+GAS VELA VINTAGE INOX	ASS.BASE SURROUND EMA/3 S.STEEL	ENSEMBLE PROFILS BASE EMA/3 INOX	STAHL GRUNDPROFIL EMA/3 GRUPPE
42	WY56900794	BAS.ANT.ASS.EMA/3+GAS VELA VINTAGE INOX	ASS.BASE SURROUND EMA/3 S.STEEL	ENSEMBLE PROFILS BASE EMA/3 INOX	STAHL GRUNDPROFIL EMA/3 GRUPPE



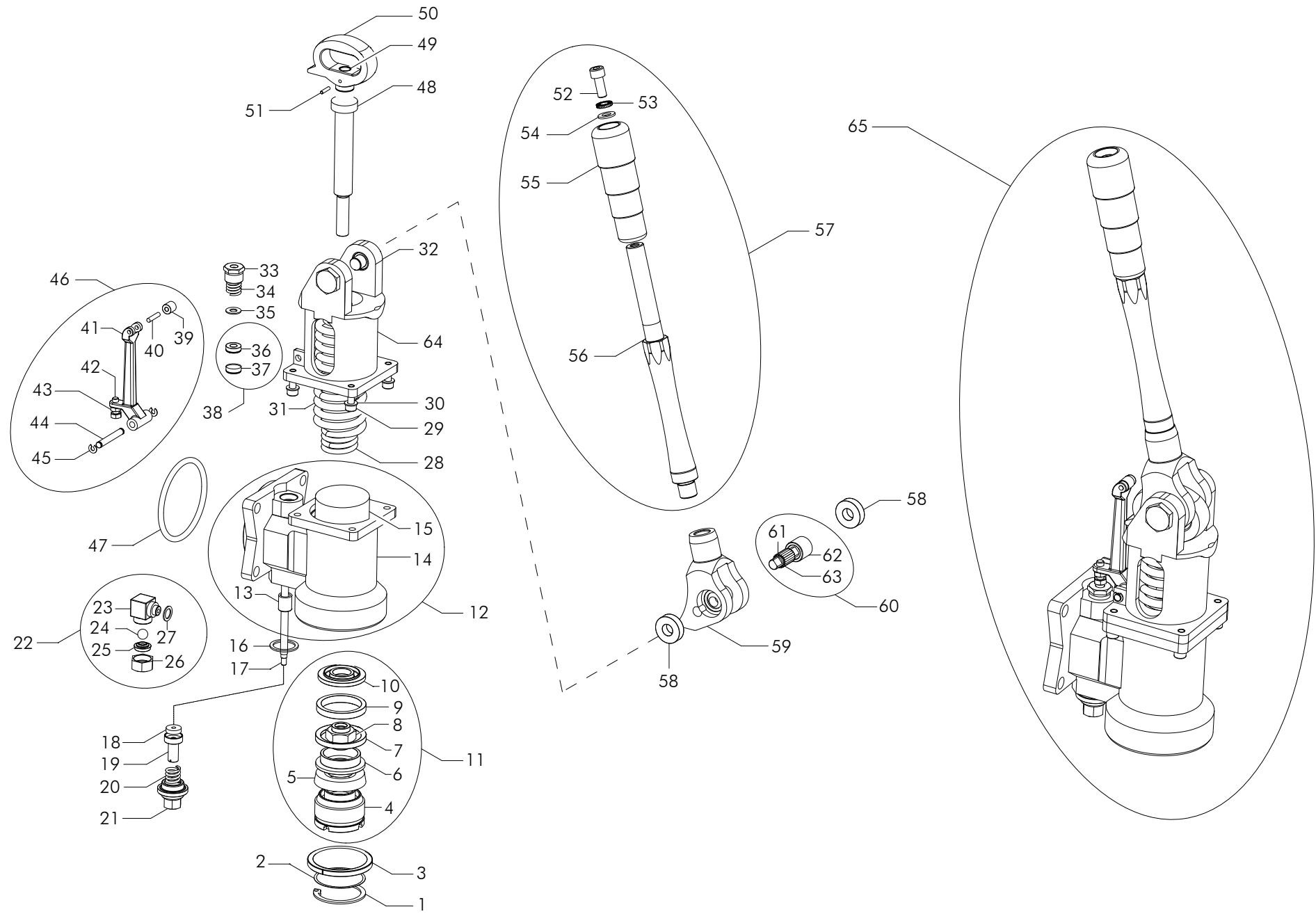
VAPORE - STEAM - VAPEUR - DAMPF

Pos	Cod.	Denominazione - IT -	Denomination - GB -	Denomination - FR -	Denomination - DE -
1	WY25763111	TUBO VAPORE DX INOX D.8	S.STEEL RIGHT STEAM PIPE	TUYAU VAPEUR DROITE INOX	DAMPFROHR RECHTE STAHL
2	WY25763112	TUBO VAPORE SX INOX D.8	S.STEEL LEFT STEAM PIPE	TUYAU VAPEUR GAUCHE INOX	DAMPFROHR SEITE STAHL
3	WY25763074	SPRUZZATORE VAPORE INOX TUBO D.10 4 FORI	S.STEEL STEAM SPRAYER D.10 4 FORI	PULVERISATEUR VAPEUR D.10 4 FORI	INNENSPRITZDUSE D.10 4 FORI
4	WY12662	GUARNIZIONE ALL.SPRUZZATORE VAP.INOX D.10	ALUM.SEAL FOR ST.STEEL STEAM	JOINT ALU GICLEUR VAP. INOX D.10	ALUMINIUMDICHT.DAMPFSTR.EDELSTAHL D.10
5	WY15296000	GOMMINO ANTISCOTTATURA D-8	ANTI-BURNING RUBBER D-8	ELEMENT ANTI-BRULURE D-8	GUMMI GEGEN VERBRENNUNGEN F. D-8
6	WY12661	GUARNIZIONE OR CON LUNETTA P.MOLLA	OR REST FOR ST.STEEL STEAM PIPE	OR LUNETTE P.RESSORT TUYAU VAP. INOX	HALBE OR-DICHT.F.FEDER DAMPFROHR ED
7	WY23260018	RONDELLA ELASTICA D-14,2 Sp.1	WASHER D-14,2	RONDELLE D-14,2	SCHEIBE D-14,2
8	WY10465	MOLLA De 11,5 Df1,5 AISI 302 DV/SP	STAINLESS ST.STEAM PIPE SPRING	RESSORT TUYAU VAP. INOX D.10	FEDER DAMPFROHR EDELSTAHL D. 10
9	WY12010	GUARNIZIONE TEFLON ACQUA/VAPORE 20x17x2	PIPE GASKET TEFLON 20x17x2	JOINT TUYAU TEFLON EAU/VAP TEFLON	TEFLON-DICHTUNG WASSER/VAP 20x17x2
10	WY25736001	RACC.3/8 RUB>TUBO VAPORE	3/8 FITTING	RACCORD 3/8	ANSCHLUSS 3/8
11	WY53003	CORPO RUBINETTO	TAP BODY	CORPS DE ROBINET	HAHNKORPER
12	WY25658001	RONDELLA OTTONE RUBINETTO CROMATA	CHROME PLATED/BRASS WASHER	RONDELLE LAITON ROBINET CHROMEE	CHROM/MESSING SCHEIBE
13	WY25384001	DADO OTTONE M26x1.5 CROMATO	CHROME PLATED/BRASS NUT M26x1.5	ECROU LAITON CHROMEE M26x1,5	CHROM/MESSING MUTTER M26x1.5
14	WY56105002	ASSIEME ASTA RUBINETTO ACQUA/VAPORE	WATER/STEAM TAP UNIT	ENSEMBLE ROBINET EAU/VAPEUR	WASSER/DAMPF ROHRSATZ
15	WY23050	DADO OTTONE M3	BRASS NUT M3	ECROU LAITON M3	MESSING-MUTTER M3
16	WY12203	GUARNIZIONE HNBR 15x4x4	RUBBER GASKET 15x4x4	JOINT EN CAOUTCHOUC 15X4X4	GUMMIDICHTUNG 15x4x4
17	WY25616	PISTONCINO RUBINETTO	TAP JUMPER	PISTON ROBINET	HAHNKOLBEN
18	WY25309	ASTA RUBINETTO CROMATA	CHROMED TAP SHAFT	TIGE ROBINET CHROME	HAHNSTANGE CHROM
19	WY10001	ANELLO ARRESTO D6 INOX	STEEL CIRCLIP	CIRCLIP INOX	STAHLHALTENRING
20	WY25461	GHIERA RUBINETTO	TAP RING NUT	EMBOUT ROBINET	HAHNZWINGE
21	WY12158	GUARNIZIONE 26x20.5x2	GASKET 26x20.5x2	JOINT 26x20.5x2	DICHTUNG 26x20.5x2
22	WY25678002	RACCORDO RUBINETTO CROMATO	CHROME TAP FITTING	RACCORD ROBINET CHROME	HAHNANSCHLUSSTUCK CHROM
23	WY12204	GUARNIZIONE GOMMA RUBINETTO 12.5x7.5x9	TAP RUBBER GASKET 12.5x7.5x9	JOINT CAOUTCHOUC ROB. 12.5X7.5X9	HAHNDICHTUNG 12.5x7.5x9
24	WY25655	RONDELLA RUBINETTO	TAP WASHER	RONDELLE ROBINET	HAHNSCHEIBE
25	WY25378001	DADO PREMISTOPPA RUBINETTO CROM. COMPLETO	TAP STUFFING NUT	ECROU DE PRESSE-ETOUPE ROBINET	STOPFBUCHSE MUTTER - HAHN
26	WY15278008	MANOPOLA ACQUA/VAPORE	WATER/STEAM TAP KNOB	POIGNEE ROBINET EAU/VAPEUR	WASSER-DAMPFHANDGRIF
27	WY15278070	MANOPOLA RUBINETTO IN LEGNO	KNOB	BOUTON	DREHKNOFF
28	WY29031002	DISCO MANOPOLA VAPORE	STEAM HANDLE PLATE	DISQUE POUR POIGNEE VAPEUR	SCHEIBE FUR DEAMPFHANDGRIF
29	WY10500	ORLI SOTTOVITE OT/NI BN569 M3.5/M4	NICKLE/BRASS WASHER	BORD SOUS-VIS LAITON NICKLE	MESSING/NICKEL SCHEIBE
30	WY23451	VITE TGS INOX M4x20	SCREW TGS M4x20	VIS TGS M4x20	STAHLSCHRAUBE TGS M4x20



ACQUA - WATER - EAU - WASSER

Pos	Cod.	Denominazione - IT -	Denomination - GB -	Denomination - FR -	Denomination - DE -
1	WY25763099	TUBO AISI H20 FISSA VERSIONE LUNGA	WATER PIPE	TUYAU EAU	ROHR WASSER
2	WY25763002	SPRUZZATORE ACQUA INOX FISSO	S.STEEL WATER NOZZLE	ATOMISEUR D' EAU INOX	WASSERDAMPFER
3	WY25681	RACCORDO CANNA ACQUA/VAPORE CROMATO	STEAM-WATER PIPE CONNECTOR	RACCORD TUYAU EAU/VAPEUR	WASSER/DAMPFROHRFITTING
4	WY25654	RONDELLA OTTONE 3/8 CROMATA	CHROME PLATED/BRASS WASHER 3/8	RONDELLE LAITON 3/8 CHROMEE	CHROM/MESSING SCHEIBE 3/8
5	WY25356	CONTRODADO OTTONE 3/8	BRASS LOCK NUT 3/8	CONTRE-ECROU LAITON 3/8	MESSING-GEGENMUTTER 3/8
6	WY52003404	TBS.D-6 L.190 W265 2GR V.VINTAGE CORPO	TUBE D-6 L.190 2GR EPU	TUYAU D-6 L.190 2GR EPU	ROHR D-6 L.190 2GR EPU
7	WY53003	CORPO RUBINETTO	TAP BODY	CORPS DE ROBINET	HAHNKORPER
8	WY25658001	RONDELLA OTTONE RUBINETTO CROMATA	CHROME PLATED/BRASS WASHER	RONDELLE LAITON ROBINET CHROMEE	CHROM/MESSING SCHEIBE
9	WY25384001	DADO OTTONE M26x1.5 CROMATO	CHROME PLATED/BRASS NUT M26x1.5	ECROU LAITON CHROMEE M26x1,5	CHROM/MESSING MUTTER M26x1.5
10	WY56105002	ASSIEME ASTA RUBINETTO ACQUA/VAPORE	WATER/STEAM TAP UNIT	ENSEMBLE ROBINET EAU/VAPEUR	WASSER/DAMPF ROHRSATZ
11	WY23050	DADO OTTONE M3	BRASS NUT M3	ECROU LAITON M3	MESSING-MUTTER M3
12	WY12203	GUARNIZIONE HNBR 15x4x4	RUBBER GASKET 15x4x4	JOINT EN CAOUTCHOUC 15X4X4	GUMMIDICHTUNG 15x4x4
13	WY25616	PISTONCINO RUBINETTO	TAP JUMPER	PISTON ROBINET	HAHNKOLBEN
14	WY25309	ASTA RUBINETTO CROMATA	CHROMED TAP SHAFT	TIGE ROBINET CHROME	HAHNSTANGE CHROM
15	WY10001	ANELLO ARRESTO D6 INOX	STEEL CIRCLIP	CIRCLIP INOX	STAHLHALTENRING
16	WY25461	GHIERA RUBINETTO	TAP RING NUT	EMBOUT ROBINET	HAHNZWINGE
17	WY12158	GUARNIZIONE 26x20.5x2	GASKET 26x20.5x2	JOINT 26x20.5x2	DICHTUNG 26x20.5x2
18	WY25678002	RACCORDO RUBINETTO CROMATO	CHROME TAP FITTING	RACCORD ROBINET CHROME	HAHNANSCHLUSSTUCK CHROM
19	WY12204	GUARNIZIONE GOMMA RUBINETTO 12.5x7.5x9	TAP RUBBER GASKET 12.5x7.5x9	JOINT CAOUTCHOUC ROB. 12.5X7.5X9	HAHNDICHTUNG 12.5x7.5x9
20	WY25655	RONDELLA RUBINETTO	TAP WASHER	RONDELLE ROBINET	HAHNSCHEIBE
21	WY10465	MOLLA De 11,5 Df1,5 AISI 302 DV/SP	STAINLESS ST.STEAM PIPE SPRING	RESSORT TUYAU VAP. INOX D.10	FEDER DAMPFROHR EDELSTAHL D. 10
22	WY25378001	DADO PREMISTOPPA RUBINETTO CROM. COMPLETO	TAP STUFFING NUT	ECROU DE PRESSE-ETOUPE ROBINET	STOPFBUCHSE MUTTER - HAHN
23	WY15278070	MANOPOLA RUBINETTO IN LEGNO	KNOB	BOUTON	DREHKNOPF
24	WY15278008	MANOPOLA ACQUA/VAPORE	WATER/STEAM TAP KNOB	POIGNEE ROBINET EAU/VAPEUR	WASSER-DAMPFHAHNGRIFF
25	WY29030002	DISCO MANOPOLA ACQUA	WATER HANDLE PLATE	DISQUE POUR POIGNEE EAU	SCHEIBE FUR WASSERHANDGRIFF
26	WY10500	ORLI SOTTOVITE OT/NI BN569 M3.5/M4	NICKLE/BRASS WASHER	BORD SOUS-VIS LAITON NICKLE	MESSING/NICKEL SCHEIBE
27	WY23451	VITE TGS INOX M4x20	SCREW TGS M4x20	VIS TGS M4x20	STAHLSCHRAUBE TGS M4x20

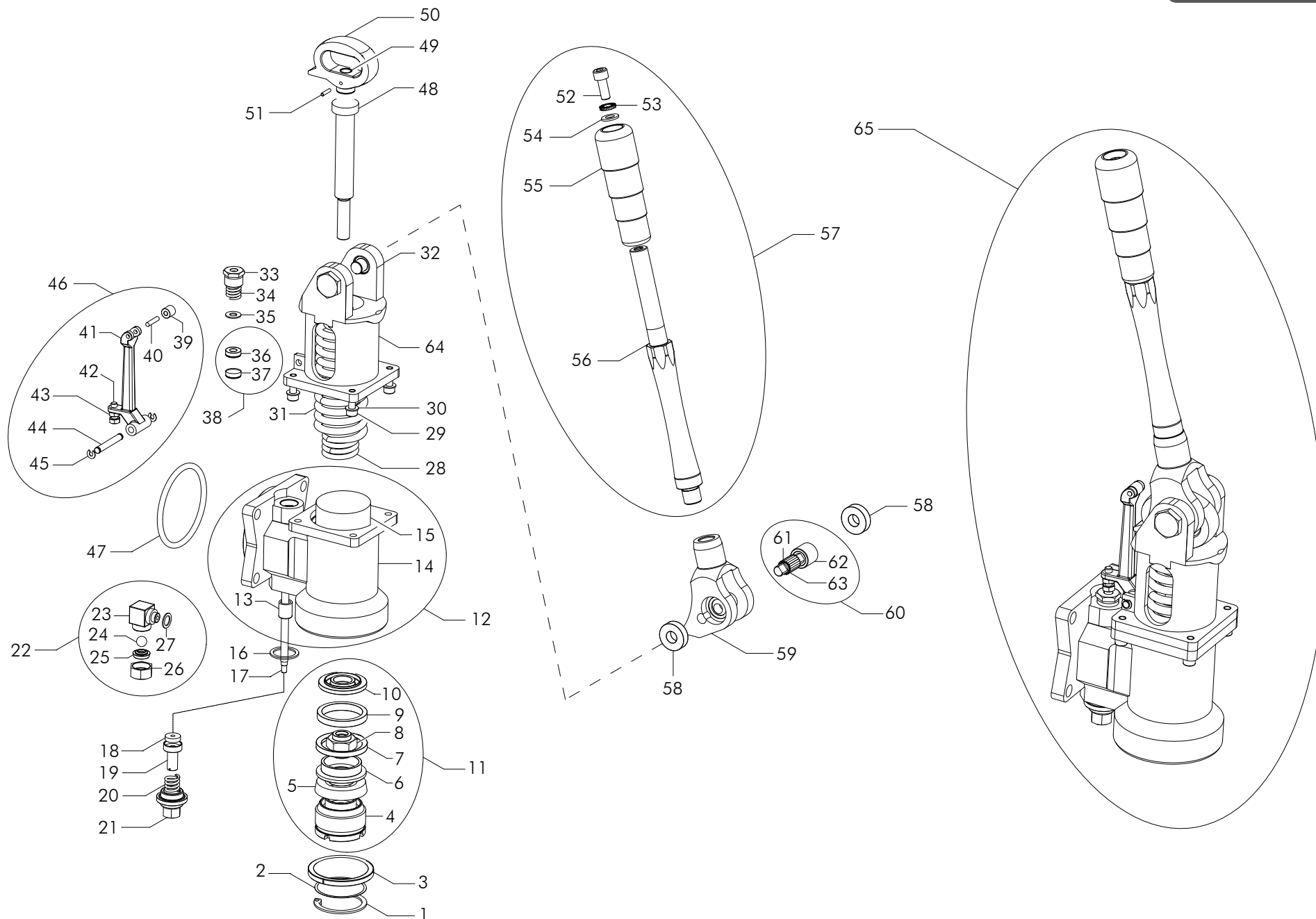


ALE PLASTICA - ALE PLASTIC - ALE PLASTIQUE - ALE KUNSTSTOFF

Pos	Cod.	Denominazione - IT -	Denomination - GB -	Denomination - FR -	Denomination - DE -
1	WY27007008	ANELLO ELASTICO FERMO DOCCIA	SNAP RING	SNAP RING	SNAP RING
2	WY27007010	DOCCIA EROGAZIONE	SHOWER SPOUT	BEC DE DOUCHE	DUSCHE-AUSLAUF
3	WY27007009	GUARNIZIONE SOTTOCOPPA 5.5mm	GASKET 5.5mm	JOINT 5.5mm	DICHTUNG 5.5mm
4	WY27007038	COMPONENTE INFERIORE PISTONE	LOWER PISTON COMPONENT	PISTON INFERIEUR DE COMPOSANT	UNTERE KOMPONENTE KOLBEN
5	WY27007034	GUARNIZIONE A LABBRO PISTONE	LIP SEAL PISTON	PISTON JOINT LEVRE	LIP SIEGEL KOLBEN
6	WY27007040	PREMI GUARNIZIONE A PISTONE	PRESS GASKET	PRESSE JOINT	PRESSE SIEGEL
7	WY27007035	GUIDA PISTONE	PISTON GUIDE	GUIDE DE PISTON	KOLBEN GUIDE
8	WY27007039	DADO PISTONE	PISTON NUT	ECROU DE PISTON	KOLBEN NUSS
9	WY27007036	PREMI GUIDA PISTONE	PUSH PISTON GUIDE	PISTON DE PRESSE GUIDE	PRESSE KOLBEN GUIDE
10	WY27007037	PORTAMOLLE PISTONE	SPRING PISTON	PISTON DE PRINTEMPS	FRUHLING KOLBEN
11	WY27007041	ASSIEME PISTONE	ASSEMBLY PISTON	ENSEMBLE PISTON	PISTON MONTAGE
12	WY27007067	ASSIEME CORPO GRUPPO A T	ASSEMBLY GROUP CORP T	GRUPE CORP T ENSEMBLE	GRUPPE CORP T MONTAGE
13	WY27007063	BUSSOLA CORPO GRUPPO	BODY COMPASS GROUP	CORPS COMPASS GROUP	KORPER COMPASS GROUP
14	WY27007066	CORPO GRUPPO A T	GROUP CORP T	GRUPE CORP T	GRUPPE CORP T
15	WY27007062	CAMICIA CORPO GRUPPO INOX	CASTLE WITHOUT WRITTEN	CHATEAU SANS ECRIT	SCHLOSS OHNE GESCHRIEBEN
16	WY27007028	GUARNIZIONE 30X22X1.5	GASKET 30X22X1.5	JOINT 30X22X1.5	DICHTUNG 30X22X1.5
17	WY27007024	PERNO AZIONAMENTO FORCELLINA	DRIVE PIN CLEVIS	CHAPE DE TIGE EN VOITURE	PIN SCHAKEL
18	WY27007026	GUARNIZIONE 16X4X4 EPDM	GASKET 16X4X4 EPDM	JOINT 16X4X4 EPDM	DICHTUNG 16X4X4 EPDM
19	WY27007025	PORTAGUARNIZIONE	GASKET BOX	PORTE JOINT	DICHTUNG
20	WY27007023	MOLLA COMPRESSIONE	COMPRESSION SPRING	RESSORT DE COMPRESSION	DRUCKFEDER
21	WY27007027	TAPPO GRUPPO	GROUP CAP	GRUPE CAP	GAP GRUPPE
22	WY27007016	ASSIEME VALVOLA NON RITORNO	ASSEMBLY NON RETURN VALVE	CLAPET ANTI RETOUR ENSEMBLE	RUCKSCHLAGVENTIL MONTAGE
23	WY27007015	VALVOLA NON RITORNO	NON RETURN VALVE	CLAPET ANTI RETOUR	RUCKSCHLAGVENTIL
24	WY27007012	SFERA ACCIAIO INOX	STAINLESS STEEL BALL	BILLE EN ACIER INOX	EDELSTAHL KUGEL
25	WY27007014	GUARNIZIONE SFERA	BALL SEAL	SEAL BALL	KUGELDICHTUNG
26	WY27007013	TAPPO VALVOLA NON RITORNO	NON RETURN VALVE CAP	BOUCHON CLAPET ANTI RETOUR	RUCKSCHLAGVENTIL KAPPE
27	WY27007011	GUARNIZIONE PIANA	FLAT SEAL	JOINT PLAT	FLACHDICHTEND
28	WY27007032	MOLLA COMPRESSIONE INTERNA	INTERNAL COMPRESSION SPRING	RESSORT DE COMPRESSION INTERNE	INTERNE DRUCKFEDER
29	WY27007030	VITE TCEI	SCREW TCEI	VIS TCEI	SCHRAUBE TCEI
30	WY27007031	RONDELLA PIANA	FLAT WASHER	RONDELLE PLATE	UNTERLEGSCHLEIBE
31	WY27007033	MOLLA COMPRESSIONE ESTERNA	EXTERNAL COMPRESSION SPRING	RESSORT DE COMPRESSION ESTERNE	EXTERNEN DRUCKFEDER
32	WY27007029	VITE DX-SX	SCREW	VIS	SCHRAUBE
33	WY27007018	TAPPO SUPERIORE MOLLA	UPPER SPRING CAP	RESSORT SUPERIEUR CAP	OBEREN FRUHLING CAP
34	WY27007017	MOLLA COMPRESSIONE	COMPRESSION SPRING	RESSORT DE COMPRESSION	DRUCKFEDER
35	WY27007019	RONDELLA PIANA 15X7X1	FLAT WASHER	RONDELLE PLATE	UNTERLEGSCHLEIBE
36	WY27007020	GUARNIZIONE V CONVESSA	GASKET V	JOINT V	DICHTUNG V
37	WY27007021	GUARNIZIONE V CONCAVA	GASKET V	JOINT V	DICHTUNG V
38	WY27007022	ASSIEME GUARNIZIONI V	ASSEMBLY GASKET V	JOINT V ENSEMBLE	DICHTUNG V MONTAGE

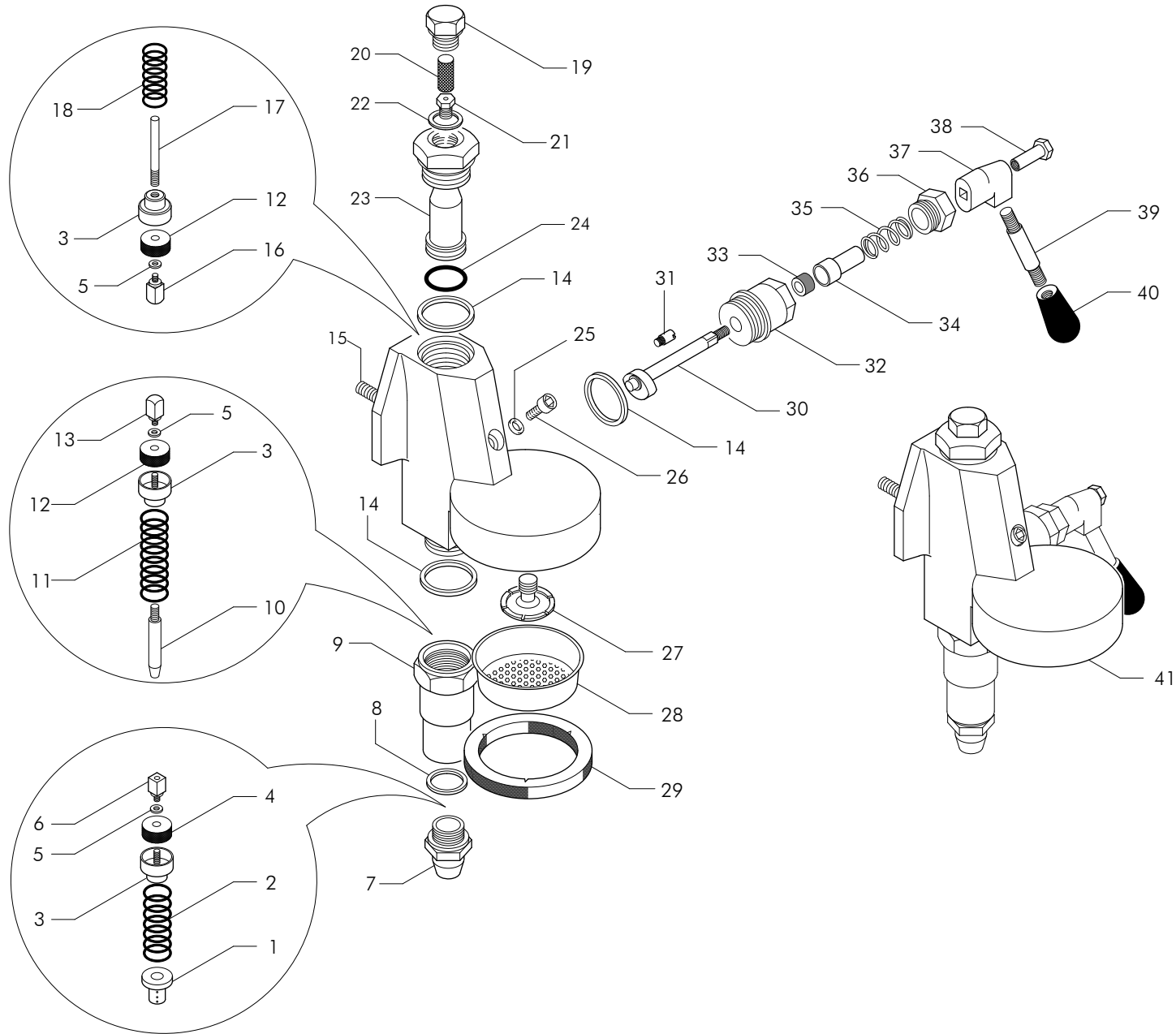
ALE PLASTICA - ALE PLASTIC - ALE PLASTIQUE - ALE KUNSTSTOFF

Pos	Cod.	Denominazione - IT -	Denomination - GB -	Denomination - FR -	Denomination - DE -
39	WY27007046	RULLINO	ROLL	ROULEAU	ROLL
40	WY27007047	PERNO RULLINO	ROLL PIN	ROULEAU DE BROCHE	SPANNSTIFT
41	WY27007048	FORCELLINA	CLEVIS	CHAPE	GABELKOPF
42	WY27007044	VITE TE	SCREW TE	VIS TE	SCHRAUBE TE
43	WY27007043	DADO BASSO	LOWER NUT	RIVETS	NIETEN
44	WY27007045	PERNO FORCELLINA	CLEVIS PIN	AXE DE CHAPE	BOLZEN
45	WY27007042	ANELLO RADIALE	RADIAL RING	JOINT RADIAL	RADIAL RING
46	WY27007049	ASSIEME FORCELLINA	CLEVIS ASSEMBLY	CHAPE ENSEMBLE	GABELKOPF MONTAGE
47	WY12336002	GUARNIZIONE NBR	OR	OR	OR
48	WY27007050	GUARNIZIONE FELTRO PER ALBERO	FELT SEAL	JOINT EN FEUTRE	FILZDICHTUNG
49	WY27007053	ALBERO PER GANCIO	HOOK	CROCHET	HAKEN
50	WY27007054	GANCIO	HOOK	CROCHET	HAKEN
51	WY27007007	SPINA ELAS. D3X14 UNI6873	PLUG	THORN	DORN
52	WY27007070	VITE	SCREW	VIS	SCHRAUBE
53	WY27007002	RONDELLA DENTELLATA INOX D8	SERRATED WASHER	RONDELLE STRIEE	ZAHNSCHEIBE
54	WY27007003	RONDELLA PIANA	PLATE WASHER	RONDELLE PLATE	UNTERLEGSCHIEBE
55	WY27007071	MANOPOLA GRUPPO	GROUP KNOB LEVER	LEVIER DE COMMANDE DE GROUPE	GRUPPE KNOFF HEBEL
56	WY27007072	LEVA GRUPPO	GROUP LEVER	LEVIER DE COMMANDE	GRUPPE HEBEL
57	WY27007006	ASSIEME LEVA	LEVER ASSEMBLY	MONTAGE DU LEVIER	HEBELMONTAGE
58	WY27007068	CUSCINETTO	BEARING	PORTANT	LAGER
59	WY27007060	FORCELLA	FORK	FOURCHE	GABEL
60	WY27007059	ASSIEME CUSCINETTO GANCIO	BEARING ASSEMBLY HOOK	CROCHET DE MONTAGE DE ROULEMENT	LAGER MONTAGE HAKEN
61	WY27007058	PERNO CUSCINETTO RULLI	ROLLER BEARING PIN	ROULEMENT A ROULEAUX DE BROCHE	ROLLENLAGER POLIG
62	WY27007057	BOCCOLA CUSCINETTO RULLI	ROLLER BEARING BUSHING	BAGUE DE ROULEMENT A ROULEAUX	ROLLENLAGER STECKHULSE
63	WY27007056	CUSCINETTO	BEARING	PORTANT	LAGER
64	WY27007069	CASTELLO	CASTLE	CHATEAU	SCHLOSS
65	WY26050110	GRUPPO A LEVA 12 BAR 2016	LEVER GROUP 12 BAR 2016	GROUPE 12 BAR 2016	GRUPPE 12 BAR 2016



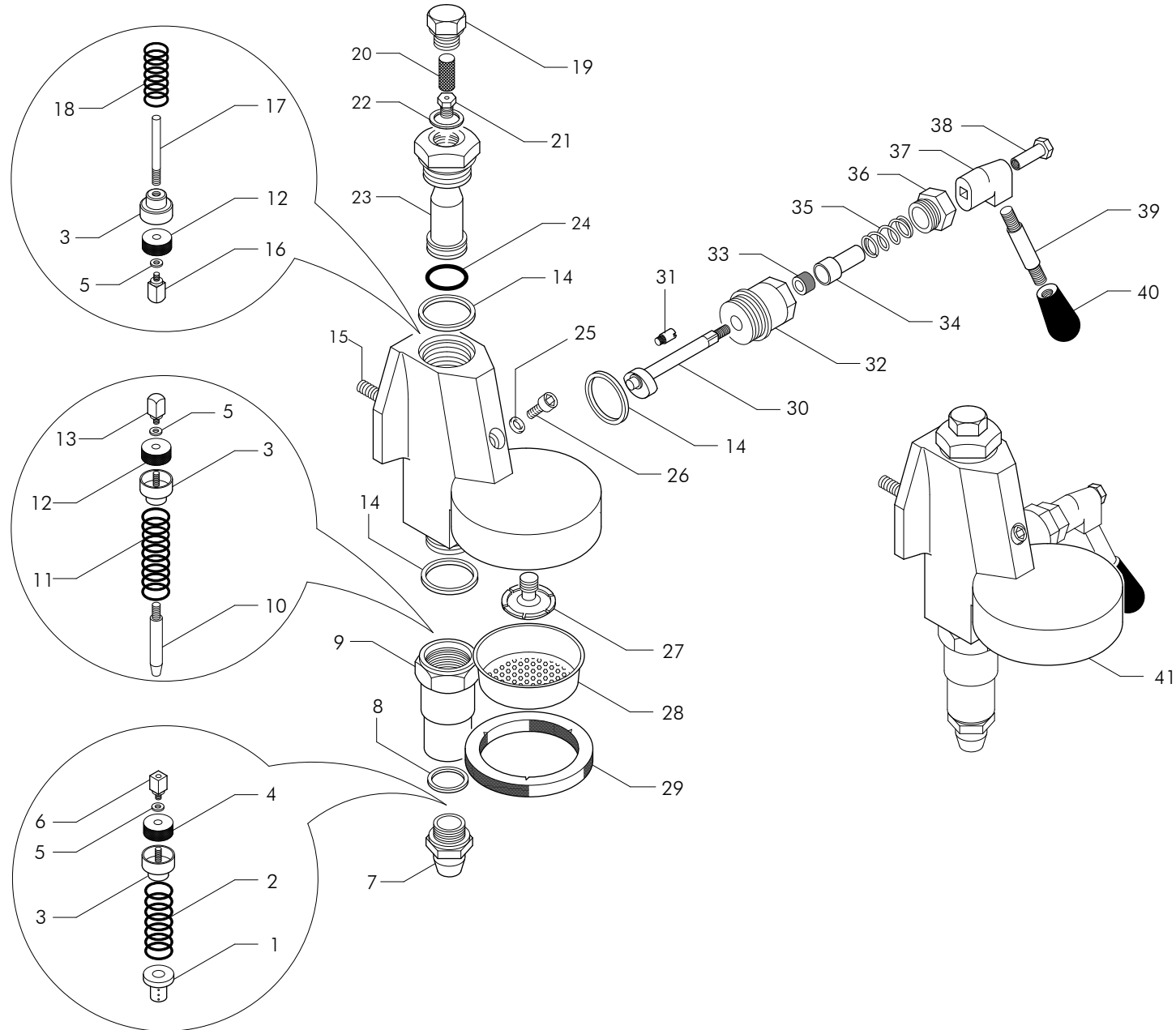
Pos	Cod.	Denominazione - IT -	Denomination - GB -	Denomination - FR -	Denomination - DE -
1	WY27007008	ANELLO ELASTICO FERMO DOCCIA	SNAP RING	SNAP RING	SNAP RING
2	WY27007010	DOCCIA EROGAZIONE	SHOWER SPOUT	BEC DE DOUCHE	DUSCHE-AUSLAUF
3	WY27007009	GUARNIZIONE SOTTOCOPPA 5.5mm	GASKET 5.5mm	JOINT 5.5mm	DICHTUNG 5.5mm
4	WY27007038	COMPONENTE INFERIORE PISTONE	LOWER PISTON COMPONENT	PISTON INFERIEUR DE COMPOSANT	UNTERE KOMPONENTE KOLBEN
5	WY27007034	GUARNIZIONE A LABBRO PISTONE	LIP SEAL PISTON	PISTON JOINT LEVRE	LIP SIEGEL KOLBEN
6	WY27007040	PREMI GUARNIZIONE A PISTONE	PRESS GASKET	PRESSE JOINT	PRESSE SIEGEL
7	WY27007035	GUIDA PISTONE	PISTON GUIDE	GUIDE DE PISTON	KOLBEN GUIDE
8	WY27007039	DADO PISTONE	PISTON NUT	ECROU DE PISTON	KOLBEN NUSS
9	WY27007036	PREMI GUIDA PISTONE	PUSH PISTON GUIDE	PISTON DE PRESSE GUIDE	PRESSE KOLBEN GUIDE
10	WY27007037	PORTAMOLLE PISTONE	SPRING PISTON	PISTON DE PRINTEMPS	FRUHLING KOLBEN
11	WY27007041	ASSIEME PISTONE	ASSEMBLY PISTON	ENSEMBLE PISTON	PISTON MONTAGE
12	WY27007067	ASSIEME CORPO GRUPPO A T	ASSEMBLY GROUP CORP T	GRUPE CORP T ENSEMBLE	GRUPPE CORP T MONTAGE
13	WY27007063	BUSSOLA CORPO GRUPPO	BODY COMPASS GROUP	CORPS COMPASS GROUP	KORPER COMPASS GROUP
14	WY27007066	CORPO GRUPPO A T	GROUP CORP T	GRUPE CORP T	GRUPPE CORP T
15	WY27007062	CAMICIA CORPO GRUPPO INOX	CASTLE WITHOUT WRITTEN	CHATEAU SANS ECRIT	SCHLOSS OHNE GESCHRIEBEN
16	WY27007028	GUARNIZIONE 30X22X1.5	GASKET 30X22X1.5	JOINT 30X22X1.5	DICHTUNG 30X22X1.5
17	WY27007024	PERNO AZIONAMENTO FORCELLINA	DRIVE PIN CLEVIS	CHAPE DE TIGE EN VOITURE	PIN SCHAKEL
18	WY27007026	GUARNIZIONE 16X4X4 EPDM	GASKET 16X4X4 EPDM	JOINT 16X4X4 EPDM	DICHTUNG 16X4X4 EPDM
19	WY27007025	PORTAGUARNIZIONE	GASKET BOX	PORTE JOINT	DICHTUNG
20	WY27007023	MOLLA COMPRESSIONE	COMPRESSION SPRING	RESSORT DE COMPRESSION	DRUCKFEDER
21	WY27007027	TAPPO GRUPPO	GROUP CAP	GRUPE CAP	GAP GRUPPE
22	WY27007016	ASSIEME VALVOLA NON RITORNO	ASSEMBLY NON RETURN VALVE	CLAPET ANTI RETOUR ENSEMBLE	RUCKSCHLAGVENTIL MONTAGE
23	WY27007015	VALVOLA NON RITORNO	NON RETURN VALVE	CLAPET ANTI RETOUR	RUCKSCHLAGVENTIL
24	WY27007012	SFERA ACCIAIO INOX	STAINLESS STEEL BALL	BILLE EN ACIER INOX	EDELSTAHL KUGEL
25	WY27007014	GUARNIZIONE SFERA	BALL SEAL	SEAL BALL	KUGELDICHTUNG
26	WY27007013	TAPPO VALVOLA NON RITORNO	NON RETURN VALVE CAP	BOUCHON CLAPET ANTI RETOUR	RUCKSCHLAGVENTIL KAPPE
27	WY27007011	GUARNIZIONE PIANA	FLAT SEAL	JOINT PLAT	FLACHDICHTEND
28	WY27007032	MOLLA COMPRESSIONE INTERNA	INTERNAL COMPRESSION SPRING	RESSORT DE COMPRESSION INTERNE	INTERNE DRUCKFEDER
29	WY27007030	VITE TCEI	SCREW TCEI	VIS TCEI	SCHRAUBE TCEI
30	WY27007031	RONDELLA PIANA	FLAT WASHER	RONDELLE PLATE	UNTERLEGSCHLEIBE
31	WY27007033	MOLLA COMPRESSIONE ESTERNA	EXTERNAL COMPRESSION SPRING	RESSORT DE COMPRESSION ESTERNE	EXTERNEN DRUCKFEDER
32	WY27007029	VITE DX-SX	SCREW	VIS	SCHRAUBE
33	WY27007018	TAPPO SUPERIORE MOLLA	UPPER SPRING CAP	RESSORT SUPERIEUR CAP	OBEREN FRUHLING CAP
34	WY27007017	MOLLA COMPRESSIONE	COMPRESSION SPRING	RESSORT DE COMPRESSION	DRUCKFEDER
35	WY27007019	RONDELLA PIANA 15X7X1	FLAT WASHER	RONDELLE PLATE	UNTERLEGSCHLEIBE
36	WY27007020	GUARNIZIONE V CONVESSA	GASKET V	JOINT V	DICHTUNG V
37	WY27007021	GUARNIZIONE V CONCAVA	GASKET V	JOINT V	DICHTUNG V
38	WY27007022	ASSIEME GUARNIZIONI V	ASSEMBLY GASKET V	JOINT V ENSEMBLE	DICHTUNG V MONTAGE

Pos	Cod.	Denominazione - IT -	Denomination - GB -	Denomination - FR -	Denomination - DE -
39	WY27007046	RULLINO	ROLL	ROULEAU	ROLL
40	WY27007047	PERNO RULLINO	ROLL PIN	ROULEAU DE BROCHE	SPANNSTIFT
41	WY27007048	FORCELLINA	CLEVIS	CHAPE	GABELKOPF
42	WY27007044	VITE TE	SCREW TE	VIS TE	SCHRAUBE TE
43	WY27007043	DADO BASSO	LOWER NUT	RIVETS	NIETEN
44	WY27007045	PERNO FORCELLINA	CLEVIS PIN	AXE DE CHAPE	BOLZEN
45	WY27007042	ANELLO RADIALE	RADIAL RING	JOINT RADIAL	RADIAL RING
46	WY27007049	ASSIEME FORCELLINA	CLEVIS ASSEMBLY	CHAPE ENSEMBLE	GABELKOPF MONTAGE
47	WY12336002	GUARNIZIONE NBR	OR	OR	OR
48	WY27007050	GUARNIZIONE FELTRO PER ALBERO	FELT SEAL	JOINT EN FEUTRE	FILZDICHTUNG
49	WY27007053	ALBERO PER GANCIO	HOOK	CROCHET	HAKEN
50	WY27007054	GANCIO	HOOK	CROCHET	HAKEN
51	WY27007007	SPINA ELAS. D3X14 UNI6873	PLUG	THORN	DORN
52	WY27007070	VITE	SCREW	VIS	SCHRAUBE
53	WY27007002	RONDELLA DENTELLATA INOX D8	SERRATED WASHER	RONDELLE STRIEE	ZAHNSCHEIBE
54	WY27007003	RONDELLA PIANA	PLATE WASHER	RONDELLE PLATE	UNTERLEGSCHIEBE
55	WY15278069	MANOPOLA GRP LEVA IN LEGNO	KNOB	BOUTON	DREHKNOFF
56	WY27007072	LEVA GRUPPO	GROUP LEVER	LEVIER DE COMMANDE	GRUPPE HEBEL
57	WY27007006	ASSIEME LEVA	LEVER ASSEMBLY	MONTAGE DU LEVIER	HEBELMONTAGE
58	WY27007068	CUSCINETTO	BEARING	PORTANT	LAGER
59	WY27007060	FORCELLA	FORK	FOURCHE	GABEL
60	WY27007059	ASSIEME CUSCINETTO GANCIO	BEARING ASSEMBLY HOOK	CROCHET DE MONTAGE DE ROULEMENT	LAGER MONTAGE HAKEN
61	WY27007058	PERNO CUSCINETTO RULLI	ROLLER BEARING PIN	ROULEMENT A ROULEAUX DE BROCHE	ROLLENLAGER POLIG
62	WY27007057	BOCCOLA CUSCINETTO RULLI	ROLLER BEARING BUSHING	BAGUE DE ROULEMENT A ROULEAUX	ROLLENLAGER STECKHULSE
63	WY27007056	CUSCINETTO	BEARING	PORTANT	LAGER
64	WY27007069	CASTELLO	CASTLE	CHATEAU	SCHLOSS
65	WY26050111	GRUPPO A LEVA	LEVER GROUP	GROUPE LEVIER	HEBEL GRUPPE

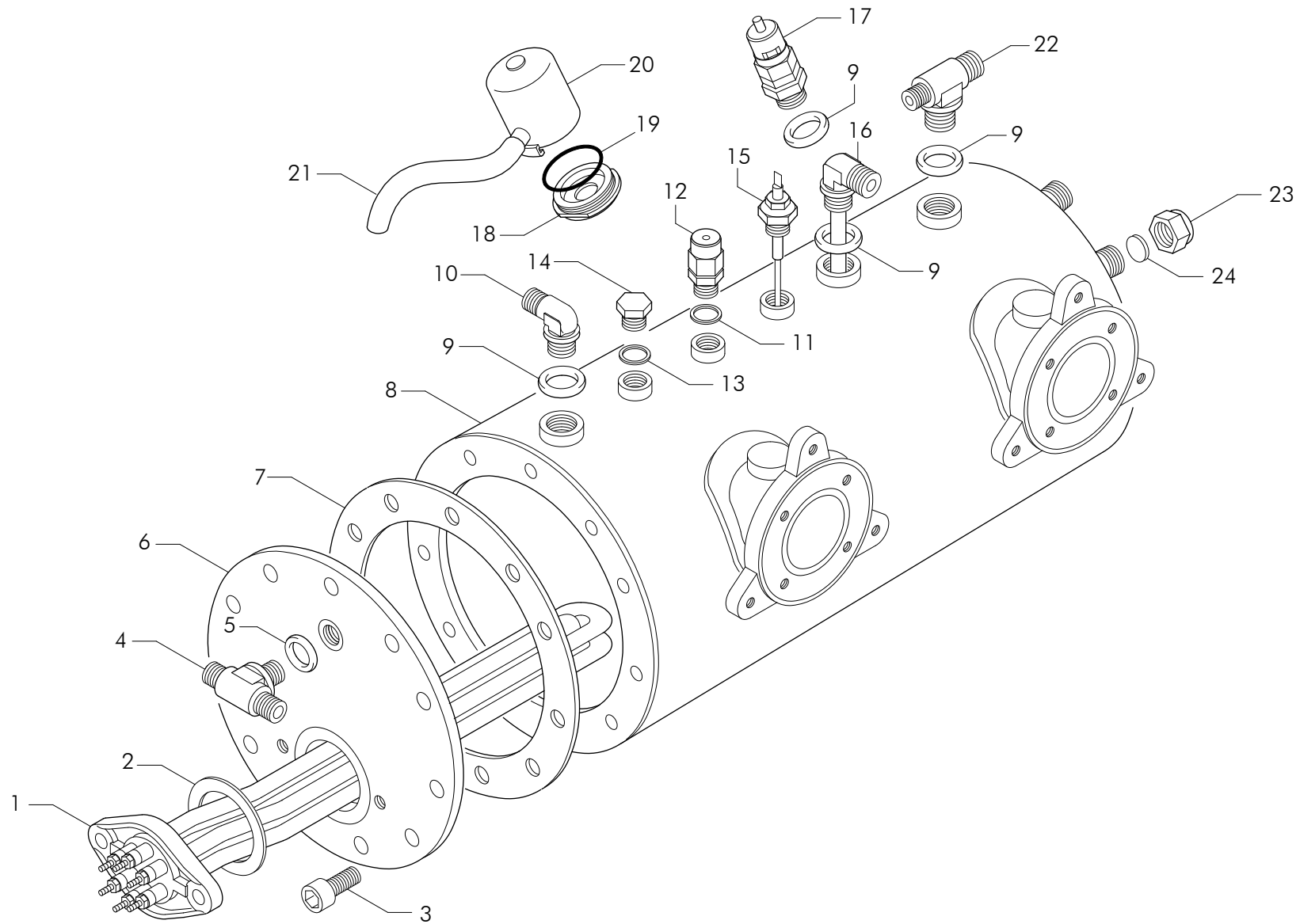


EMA PLASTICA - EMA PLASTIC - EMA PLASTIQUE - EMA KUNSTSTOFF

Pos	Cod.	Denominazione - IT -	Denomination - GB -	Denomination - FR -	Denomination - DE -
1	WY27421015	ROMPIGETTO SCARICO	JET BREAKER DRAIN	BRISE-JET VIDANGE	AUSLAUF SPRITZ.BRECHER
2	WY27421003	MOLLA SCARICO	SPRING DRAIN	RESSORT VIDANGE	AUSLAUF FEDER
3	WY27421010	PORTA GUARNIZIONE	GASKETHOLDER	PORTE JOINT	DICHTUNG TRAEGER
4	WY27421026	GUARNIZIONE DI TENUTA VITON 90	GASKET VITON 90	JOINT VITON 90	DICHTUNG VITON 90
5	WY27421011	RONDELLA PER GUARNIZIONE	WASHER	RONDELLE	SCHEIBE
6	WY27421014	PERNO SCARICO TRIANGOLARE	SHAFT DRAIN TRIANG.	CHEVILLE VIDANGE TRIANG.	STIFT AUSLAUF TRIWINKEL
7	WY27421018	DADO ROMPIGETTO	NUT JET BREAKER	ECROU BRISE-JET	SPRITZ.BRECHER MUTTER
8	WY27421009	GUARNIZIONE TAPPO SCARICO	GASKET	JOINT	DICHTUNG
9	WY27421016	CAMERA ESPANSIONE	EXPANSION CHAMBER	CHAMBRE EXPANSION	UEBERDRUCKSBECKER
10	WY27421006	PERNO CAMERA ESPANSIONE	SHAFT EXP.CHAMBER	CHEVILLE CHAMBRE EXP.	STIFT BECKER
11	WY27421002	MOLLA SOPRA SCARICO	SPRING	RESSORT	FEDER
12	WY27421008	GUARNIZIONE DI TENUTA VITON 65	VITON GASKET 65	JOINT VITON 65	VITON DICHTUNG 65
13	WY27421013	PERNO QUADRO 10MM	SHAFT SQUARE 10MM	CHEVILLE CARREE 10MM	VIERECK.STIFT 10MM
14	WY12023	GUARNIZIONE TEFLON	TEFLON GASKET	JOINT TEFLON	TEFLON DICHTUNG
15	WY10405004	GRANO EI M8X25 PUNTA PIANA INOX	GRUB SCREW M8X25 STEEL	GRAIN M8X25 POINTE PLETE INOX	STAHLGEWINDESTIFT M8X25 FLACHSPITZE
16	WY27421012	PERNO QUADRO 12MM	SHAFT SQUARE 12MM	CHEVILLE CARREE 12MM	VIERECK.STIFT 12MM
17	WY27421005	GAMBO PORTA GUARNIZIONE	GASKETHOLDER SHAFT	TIGE PORTE JOINT	DICHT.HALT.STIFT
18	WY27421001	MOLLA FUNGO	SPRING MUSHROOM	RESSORT CHAMPIGNON	FEDER KOPF
19	WY27118	TAPPO GIGLER	JET CAP	BOUCHON GICLEUR	STOPFEN DUSE
20	WY10253	FILTRO GIGLER	JET FILTER	FILTRE GICLEUR	DUSE FILTER
21	WY10300C	GIGLER OTTONE D-0.7	BRASS JET D-0.7	GICLEUR LAITON D-0.7	VERMESSIN GTE DUSE 0.7
22	WY12025	GUARNIZIONE TEFLON	TEFLON GASKET	JOINT TEFLON	TEFLON DICHTUNG
23	WY27119002	FUNGO GRUPPO LEVETTA	DISTRIBUTION GROUP MUSHROOM	FONGUS GROUPE DEBIT	AUSGABEGRUPPE FUNGUS
24	WY12024	GUARNIZIONE OR VITON	VITON O RING GASKET	JOINT OR	OR DICHTUNG
25	WY12103	GUARNIZIONE RAME	CU GASKET	JOINT CU DE	CU DICHTUNG
26	WY23558	VITE TCEI INOX M6x8	STEEL SCREW TCCE 6x8	VIS INOX TCCE 6x8	STAHLSCHRAUBE TCCE 6x8
27	WY27105000	DIFFUSORE GRUPPO	GROUP DIFFUSER	DIFFUSEUR GROUPE	DIFFUSOR VERTEILEREINHEIT
28	WY27104	DOCCETTA GRUPPO INOX	S.STEEL GROUP SHOWER	DOUCHETTE GROUPE INOX	DUSCHE VERTEILEREINHEIT
29	WY12227	GUARNIZIONE SOTTOCOPPA 73,5x57,5x8	GROUP UNDERCUP SEAL 73,5x57,5x8	JOINT SOUCOUBE 73,5X57,5X8	FILTERGRIFFDICHTUNG 73,5x57,5x8
29	WY12228	GUARNIZIONE SOTTOCOPPA 73,5x57,5x8,5	GROUP UNDERCUP SEAL 73,5x57,8x8,5	JOINT SOUCOUBE 73,5X57,5X8,5	FILTERGRIFFDICHTUNG 73,5x57,5x8,5
30	WY27078008	CAMMA AZIONAMENTO GRUPPO LEVETTA WE	CAMS GROUP	CAME GROUPE	NOCKEN AUSGABEGRUPPE
31	WY27421019	FERMA CAMME	CAMES HOLDER	FERMECAMES	NOCKEN.HALTER
32	WY27421020	SUPPORTO CAMME	SUPPORT CAM	SUPPORT CAMES	NOCKEN TRAEGER
33	WY27421017	GUARNIZIONE CAMME LEVETTA	GASKET CAM	JOINT CAMES	DICHTUNG NOCKEN
34	WY27421021	PREMISTOPPA	SEALING	PRESSE-ETOUPE	STOPFBUECKSE
35	WY27421004	MOLLA PREMISTOPPA	SPRING SEALING	RESSORT PRESSE-ETOUPE	STOPFBUECKSE FEDER
36	WY27421023	DADO PREMI STOPPA	NUT SEALING	ECROU PRESSE-ETOUPE	MUTTER STOPFBUECKSE
37	WY27421024	BLOCCHETTO CAMMA GRUPPO	CAMES BLOCK GROUP	BLOC CAME GROUPE	ANSCHLAG GRUPPE
38	WY27421025	DADO BLOCCA CAMME	NUT CAMHOLDER	ECROU FERMECAMES	MUTTER NOCKEN HALTER
39	WY27421007	ASTA AZIONAMENTO GRUPPO	OPERATING ROD GROUP	TIGE GROUPE	GRUPPE ANTRIEB STIFT
40	WY15400	POMELLO LEVETTA POMPA	MANUAL FILL LEVER KNOB	BOUTON LEVIER POMPE	KNAUF PUMPENHEBEL
41	WY26104	GRUPPO EROGAZIONE LEVETTA WEGA	CAMS DISTRIBUTION GROUP	GROUPE DEBIT A CAME	NOCKEN AUSGABEGRUPPE

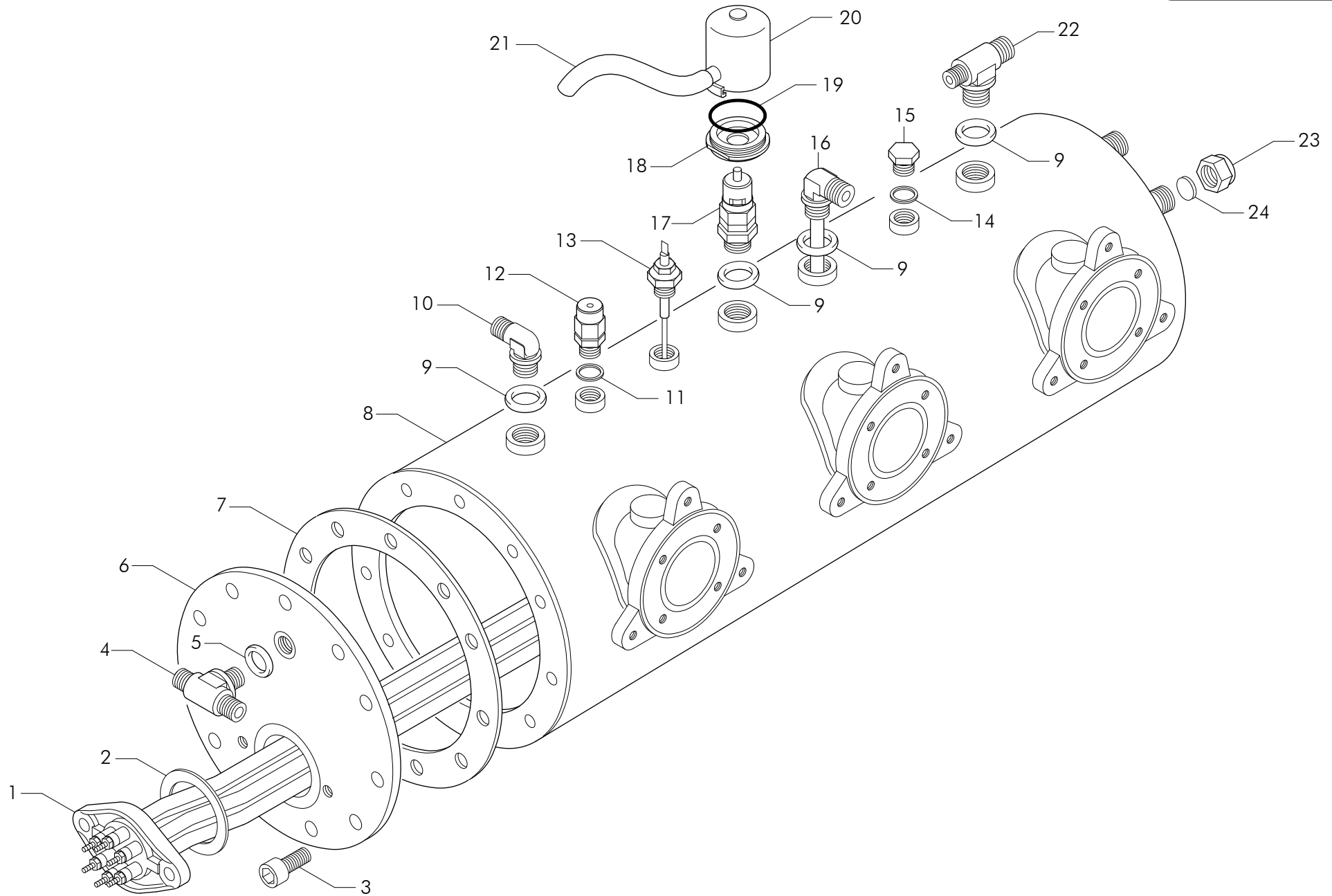


Pos	Cod.	Denominazione - IT -	Denomination - GB -	Denomination - FR -	Denomination - DE -
1	WY27421015	ROMPIGETTO SCARICO	JET BREAKER DRAIN	BRISE-JET VIDANGE	AUSLAUF SPRITZ.BRECHER
2	WY27421003	MOLLA SCARICO	SPRING DRAIN	RESSORT VIDANGE	AUSLAUF FEDER
3	WY27421010	PORTA GUARNIZIONE	GASKETHOLDER	PORTE JOINT	DICHTUNG TRAEGER
4	WY27421026	GUARNIZIONE DI TENUTA VITON 90	GASKET VITON 90	JOINT VITON 90	DICHTUNG VITON 90
5	WY27421011	RONDELLA PER GUARNIZIONE	WASHER	RONDELLE	SCHEIBE
6	WY27421014	PERNO SCARICO TRIANGOLARE	SHAFT DRAIN TRIANG.	CHEVILLE VIDANGE TRIANG.	STIFT AUSLAUF TRIWINKEL
7	WY27421018	DADO ROMPIGETTO	NUT JET BREAKER	ECROU BRISE-JET	SPRITZ.BRECHER MUTTER
8	WY27421009	GUARNIZIONE TAPPO SCARICO	GASKET	JOINT	DICHTUNG
9	WY27421016	CAMERA ESPANSIONE	EXPANSION CHAMBER	CHAMBRE EXPANSION	UEBERDRUCKSBECKER
10	WY27421006	PERNO CAMERA ESPANSIONE	SHAFT EXP.CHAMBER	CHEVILLE CHAMBRE EXP.	STIFT BECKER
11	WY27421002	MOLLA SOPRA SCARICO	SPRING	RESSORT	FEDER
12	WY27421008	GUARNIZIONE DI TENUTA VITON 65	VITON GASKET 65	JOINT VITON 65	VITON DICHTUNG 65
13	WY27421013	PERNO QUADRO 10MM	SHAFT SQUARE 10MM	CHEVILLE CARREE 10MM	VIERECK.STIFT 10MM
14	WY12023	GUARNIZIONE TEFLON	TEFLON GASKET	JOINT TEFLON	TEFLON DICHTUNG
15	WY10405004	GRANO EI M8x25 PUNTA PIANA INOX	GRUB SCREW M8x25 STEEL	GRAIN M8X25 POINTE PLETE INOX	STAHLGEWINDESTIFT M8X25 FLACHSPITZE
16	WY27421012	PERNO QUADRO 12MM	SHAFT SQUARE 12MM	CHEVILLE CARREE 12MM	VIERECK.STIFT 12MM
17	WY27421005	GAMBO PORTA GUARNIZIONE	GASKETHOLDER SHAFT	TIGE PORTE JOINT	DICHT.HALT.STIFT
18	WY27421001	MOLLA FUNGO	SPRING MUSHROOM	RESSORT CHAMPIGNON	FEDER KOPF
19	WY27118	TAPPO GIGLER	JET CAP	BOUCHON GICLEUR	STOPFEN DUSE
20	WY10253	FILTRO GIGLER	JET FILTER	FILTRE GICLEUR	DUSE FILTER
21	WY10300C	GIGLER OTTONE D-0.7	BRASS JET D-0.7	GICLEUR LAITON D-0.7	VERMESSIN GTE DUSE 0.7
22	WY12025	GUARNIZIONE TEFLON	TEFLON GASKET	JOINT TEFLON	TEFLON DICHTUNG
23	WY27119002	FUNGO GRUPPO LEVETTA	DISTRIBUTION GROUP MUSHROOM	FONGUS GROUPE DEBIT	AUSGABEGRUPPE FUNGUS
24	WY12024	GUARNIZIONE OR VITON	VITON O RING GASKET	JOINT OR	OR DICHTUNG
25	WY12103	GUARNIZIONE RAME	CU GASKET	JOINT CU DE	CU DICHTUNG
26	WY23558	VITE TCEI INOX M6x8	STEEL SCREW TCCE 6x8	VIS INOX TCCE 6x8	STAHLSCHRAUBE TCCE 6x8
27	WY27105000	DIFFUSORE GRUPPO	GROUP DIFFUSER	DIFFUSEUR GROUPE	DIFFUSOR VERTEILEREINHEIT
28	WY27104	DOCCETTA GRUPPO INOX	S.STEEL GROUP SHOWER	DOUCHETTE GROUPE INOX	DUSCHE VERTEILEREINHEIT
29	WY12227	GUARNIZIONE SOTTOCOPPA 73,5x57,5x8	GROUP UNDERCUP SEAL 73,5x57,5x8	JOINT SOUCOUBE 73,5X57,5X8	FILTERGRIFFDICHTUNG 73,5x57,5x8
29	WY12228	GUARNIZIONE SOTTOCOPPA 73,5x57,5x8,5	GROUP UNDERCUP SEAL 73,5x57,8x8,5	JOINT SOUCOUBE 73,5X57,5X8,5	FILTERGRIFFDICHTUNG 73,5x57,5x8,5
30	WY27078008	CAMMA AZIONAMENTO GRUPPO LEVETTA WE	CAMS GROUP	CAME GROUPE	NOCKEN AUSGABEGRUPPE
31	WY27421019	FERMA CAMME	CAMES HOLDER	FERMECAMES	NOCKEN.HALTER
32	WY27421020	SUPPORTO CAMME	SUPPORT CAM	SUPPORT CAMES	NOCKEN TRAEGER
33	WY27421017	GUARNIZIONE CAMME LEVETTA	GASKET CAM	JOINT CAMES	DICHTUNG NOCKEN
34	WY27421021	PREMISTOPPA	SEALING	PRESSE-ETOUPE	STOPFBUECKSE
35	WY27421004	MOLLA PREMISTOPPA	SPRING SEALING	RESSORT PRESSE-ETOUPE	STOPFBUECKSE FEDER
36	WY27421023	DADO PREMI STOPPA	NUT SEALING	ECROU PRESSE-ETOUPE	MUTTER STOPFBUECKSE
37	WY27421024	BLOCCHETTO CAMMA GRUPPO	CAMES BLOCK GROUP	BLOC CAME GROUPE	ANSCHLAG GRUPPE
38	WY27421025	DADO BLOCCA CAMME	NUT CAMHOLDER	ECROU FERMECAMES	MUTTER NOCKEN HALTER
39	WY27421007	ASTA AZIONAMENTO GRUPPO	OPERATING ROD GROUP	TIGE GROUPE	GRUPPE ANTRIEB STIFT
40	WY15278068	MANOPOLA M8 GRP LEVETTA IN LEGNO	KNOB	BOUTON	DREHKNOFF
41	WY26104006	GRUPPO EROGAZIONE LEVETTA WEGA POMELLO LEG	CAMS DISTRIBUTION GROUP	GROUPE DEBIT A CAME	NOCKEN AUSGABEGRUPPE



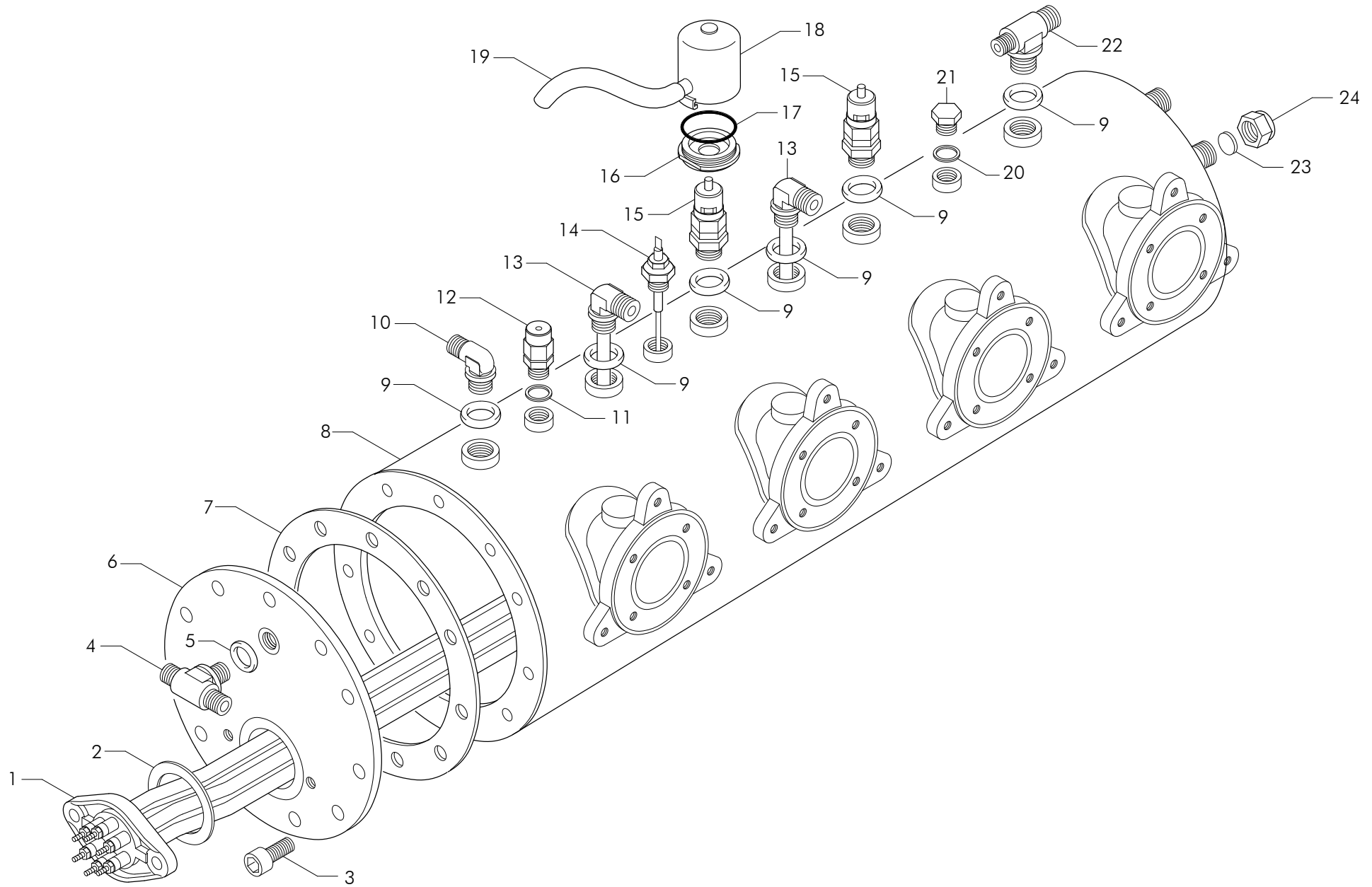
ALE 2GR

Pos	Cod.	Denominazione - IT -	Denomination - GB -	Denomination - FR -	Denomination - DE -
1	WY4617050	RESISTENZA 2GR 4P 120V 2600W	HEATING ELEM. 2GR 4P 120V 2600W	RESISTANCE 2GR 4P 120V 2600W	HEIZKORPER 2GR 4P 120V 2600W
1	WY4617059	RESISTENZA 2GR 230/240V 3400/3700W	HEATING EL.2GR 220/240V 3400/3700W	RESISTANCE 2GR 220/240V 3400/3700W	HEIZKORPER 2GR 220/240V 3400/3700W
2	WY12001	GUARNIZIONE TEFLON 58x43x2	TEFLON GASKET 58x43x2	JOINT TEFLON 58x43x2	TEFLON DICHTUNG 58x23x2
3	WY23556	VITE TCEI INOX 10x20	STEEL SCREW TCCE 10X20	VIS INOX TCCE 10X20	STAHLSCHRAUBE TCCE 10x20
4	WY43060	RACCORDO 1/4x1/4x1/4 T	'T' CONNECTOR 1/4 + 1/4 + 1/4	RACCORD 'T' 1/4 + 1/4 + 1/4	T'-ANSCHLUSS 1/4+1/4+1/4
5	WY12100	GUARNIZIONE CU/ALIM 1/4 18.7x13.2x2.5	CU GASKET 1/4 18.7X13.2X2.5	JOINT CU 1/4 18.7X13.2X2.5	CU DICHTUNG 1/4 18.7x13.2x2.5
6	WY53011	FLANGIA	FLANGE	BRIDE	FLANSCH
7	WY12003	GUARNIZIONE CALDAIA	BOILER GASKET	JOINT CHAUDIERE	KESSELDICHTUNG
8	WY62101001	CALDAIA 2GR	BOILER 2GR	CHAUDIERE 2GR	KESSEL 2GR
9	WY12101	GUARNIZIONE RAME 3/8 22x17x3	GASKET COPPER 3/8 22x17x3	JOINT CUIVRE 3/8 22x17x3	KUPFERDICHTUNG 3/8 22x17x3
10	WY43052	RACCORDO "L" 3/8	CONNECTOR 'L' 3/8	RACCORD 'L' 3/8	ANSCHLUSS 'L' 3/8
11	WY12153	GUARNIZIONE RAME 1/4 17x13.3x1.5	GASKET 1/4 17x13.3x1.5 COPPER	JOINT CUIVRE 1/4 17x13.3x1.5	KUPFERDICHTUNG 1/4 17x13.3x1.5
12	WY56150	VALVOLA ANTIRISUCCHIO V.A.R.	ANTI-EDDY VALVE V.A.R.	SOUPAPE ANTI-DEPRESSION V.A.R.	VENTIL UNTERDRUCKFREI V.A.R.
13	WY12154	GUARNIZIONE CU 3/8 22x17x1.5	GASKET COPPER 3/8 22x17x1,5	JOINT CUIVRE 3/8 22x17x1.5	KUPFERDICHTUNG 3/8 22x17x1.5
14	WY25785	TAPPO MASCHIO 3/8	MALE CAP 3/8	BOUCHON MALE 3/8	STOPFEN 3/8
15	WY20251	SONDA LIVELLO L.125	LEVEL PROBE L.125	JAUG L.125	PEGELFUHLER L.125
16	WY52000119	TUBO D-10 L.125 PESCANTE L	TUBE D-10 L.125	TUYAU D-10 L.125	ROHR D-10 L.125
17	WY20352	VALVOLA DI SICUREZZA *CE*	*CE* SAFETY VALVE	SOUPAPE DE SECURITE *CE*	SICHERHEITSVENTIL *CE*
18	WY15006001	FLANGIA VALVOLA SICUREZZA	FLANGE VALVE	JOINT VANNE	FLANSCH VENTIL
19	WY12300000	GUARNIZIONE OR	GASKET O RING	JOINT OR	OR DICHTUNG
20	WY56009980	ASSIEME PROTEZIONE VALVOLE SICUREZZA	UNIT PROTECTION VALVE	ENSEMBLE PROTECTION VANNE	SATZ-SCHUTZGITTER VENTIL
21	WY15478002	TUBO SILICONE 8x11 L.70cm	SILICONE TUBE 8x11 L.70cm	TUYAU SILICONE 8x11 L.70cm	SILIKONROHR 8x11 L.70cm
22	WY43033	RACCORDO "T" 3/8x3/8x1/4	3/8x3/8x1/4 T FITTING	RACCORD "T" 3/8x3/8x1/4	ANSCHLUSS 3/8x3/8x1/4 T
23	WY25781	TAPPO FEMMINA 3/8	FEMALE CAP 3/8	BOUCHON FEMELLE 3/8	STOPFEN 3/8
24	WY12402	GUARNIZIONE PASTICCA 15x3	GASKET 15x3	JOINT 15x3	DICHTUNG 15x3



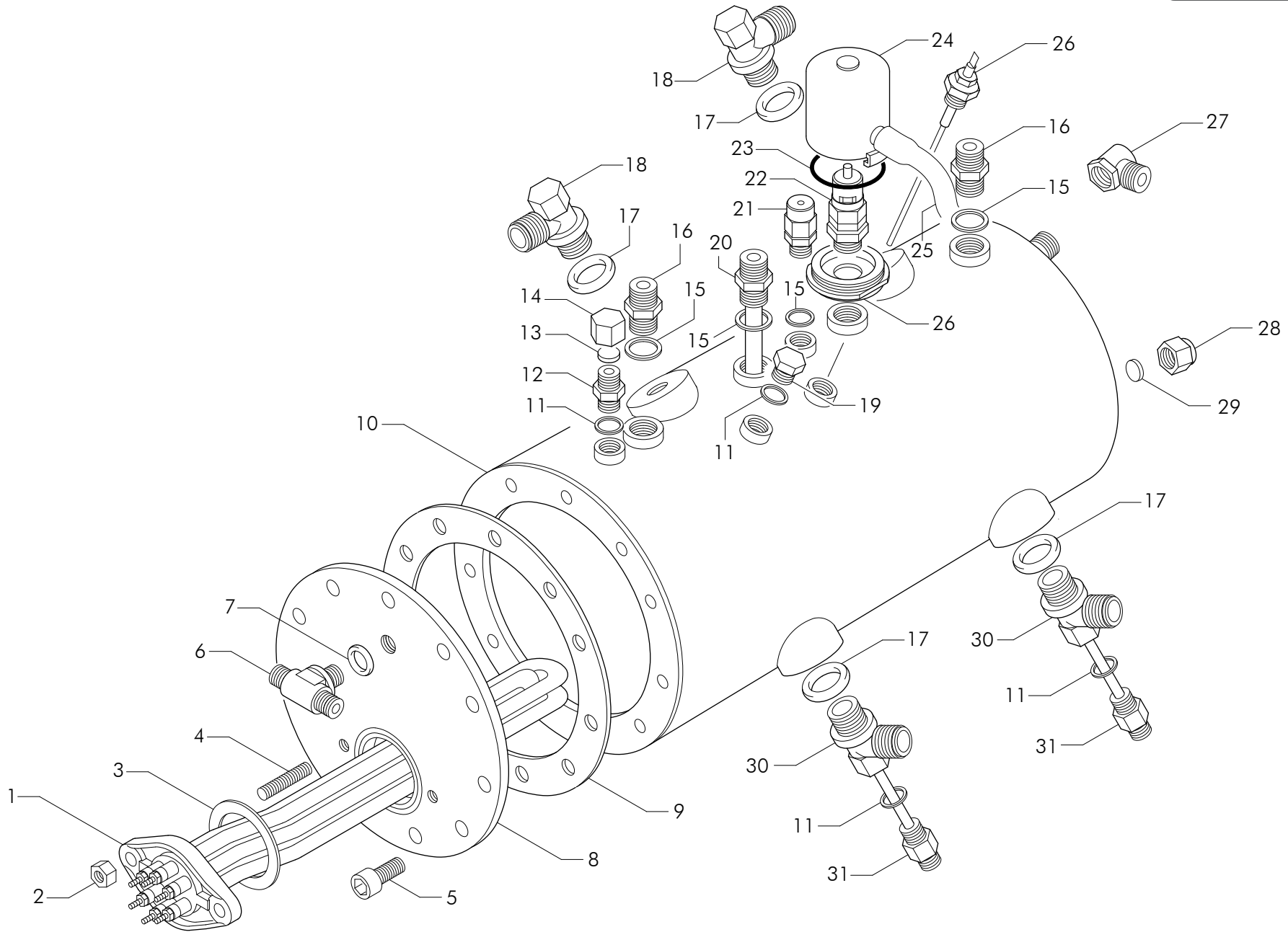
ALE 3GR

Pos	Cod.	Denominazione - IT -	Denomination - GB -	Denomination - FR -	Denomination - DE -
1	WY4617107	RESISTENZA 3GR 6P 230/240V 5000/5440W CW51	HEATING EL. 3GR 220/240V 5000/5440 6P	RESISTANCE 3GR 220/240V 5000/5440W	HEIZKORPER 3GR 220/240V 5000/5440W
2	WY12001	GUARNIZIONE TEFLON 58x43x2	TEFLON GASKET 58x43x2	JOINT TEFLON 58x43x2	TEFLON DICHTUNG 58x23x2
3	WY23556	VITE TCEI INOX 10x20	STEEL SCREW TCCE 10X20	VIS INOX TCCE 10X20	STAHLSCHRAUBE TCCE 10x20
4	WY43060	RACCORDO 1/4x1/4x1/4 T	'T' CONNECTOR 1/4 + 1/4 + 1/4	RACCORD 'T' 1/4 + 1/4 + 1/4	T'-ANSCHLUSS 1/4+1/4+1/4
5	WY12100	GUARNIZIONE CU/ALIM 1/4 18.7x13.2x2.5	CU GASKET 1/4 18.7X13.2X2.5	JOINT CU 1/4 18.7X13.2X2.5	CU DICHTUNG 1/4 18.7x13.2x2.5
6	WY53011	FLANGIA	FLANGE	BRIDE	FLANSCH
7	WY12003	GUARNIZIONE CALDAIA	BOILER GASKET	JOINT CHAUDIERE	KESSELDICHTUNG
8	WY62348001	CALDAIA 3GR	BOILER 3GR	CHAUDIERE 3GR	KESSEL 3GR
9	WY12101	GUARNIZIONE RAME 3/8 22x17x3	GASKET COPPER 3/8 22x17x3	JOINT CUIVRE 3/8 22x17x3	KUPFERDICHTUNG 3/8 22x17x3
10	WY43052	RACCORDO "L" 3/8	CONNECTOR 'L' 3/8	RACCORD 'L' 3/8	ANSCHLUSS 'L' 3/8
11	WY12153	GUARNIZIONE RAME 1/4 17x13.3x1.5	GASKET 1/4 17x13.3x1.5 COPPER	JOINT CUIVRE 1/4 17x13.3x1.5	KUPFERDICHTUNG 1/4 17x13.3x1.5
12	WY56150	VALVOLA ANTIRISUCCHIO V.A.R.	ANTI-EDDY VALVE V.A.R.	SOUPAPE ANTI-DEPRESSION V.A.R.	VENTIL UNTERDRUCKFREI V.A.R.
13	WY20251	SONDA LIVELLO L.125	LEVEL PROBE L.125	JAUG L.125	PEGELFUHLER L.125
14	WY12154	GUARNIZIONE CU 3/8 22x17x1.5	GASKET COPPER 3/8 22x17x1,5	JOINT CUIVRE 3/8 22x17x1.5	KUPFERDICHTUNG 3/8 22x17x1.5
15	WY25785	TAPPO MASCHIO 3/8	MALE CAP 3/8	BOUCHON MALE 3/8	STOPFEN 3/8
16	WY52000119	TUBO D-10 L.125 PESCANTE L	TUBE D-10 L.125	TUYAU D-10 L.125	ROHR D-10 L.125
17	WY20352	VALVOLA DI SICUREZZA *CE*	*CE* SAFETY VALVE	SOUPAPE DE SECURITE *CE*	SICHERHEITSVENTIL *CE*
18	WY15006001	FLANGIA VALVOLA SICUREZZA	FLANGE VALVE	JOINT VANNE	FLANSCH VENTIL
19	WY12300000	GUARNIZIONE OR	GASKET O RING	JOINT OR	OR DICHTUNG
20	WY56009980	ASSIEME PROTEZIONE VALVOLE SICUREZZA	UNIT PROTECTION VALVE	ENSEMBLE PROTECTION VANNE	SATZ-SCHUTZGITTER VENTIL
21	WY15478002	TUBO SILICONE 8x11 L.70cm	SILICONE TUBE 8x11 L.70cm	TUYAU SILICONE 8x11 L.70cm	SILIKONROHR 8x11 L.70cm
22	WY43033	RACCORDO "T" 3/8x3/8x1/4	3/8x3/8x1/4 T FITTING	RACCORD "T" 3/8x3/8x1/4	ANSCHLUSS 3/8x3/8x1/4 T
23	WY25781	TAPPO FEMMINA 3/8	FEMALE CAP 3/8	BOUCHON FEMELLE 3/8	STOPFEN 3/8
24	WY12402	GUARNIZIONE PASTICCA 15x3	GASKET 15x3	JOINT 15x3	DICHTUNG 15x3



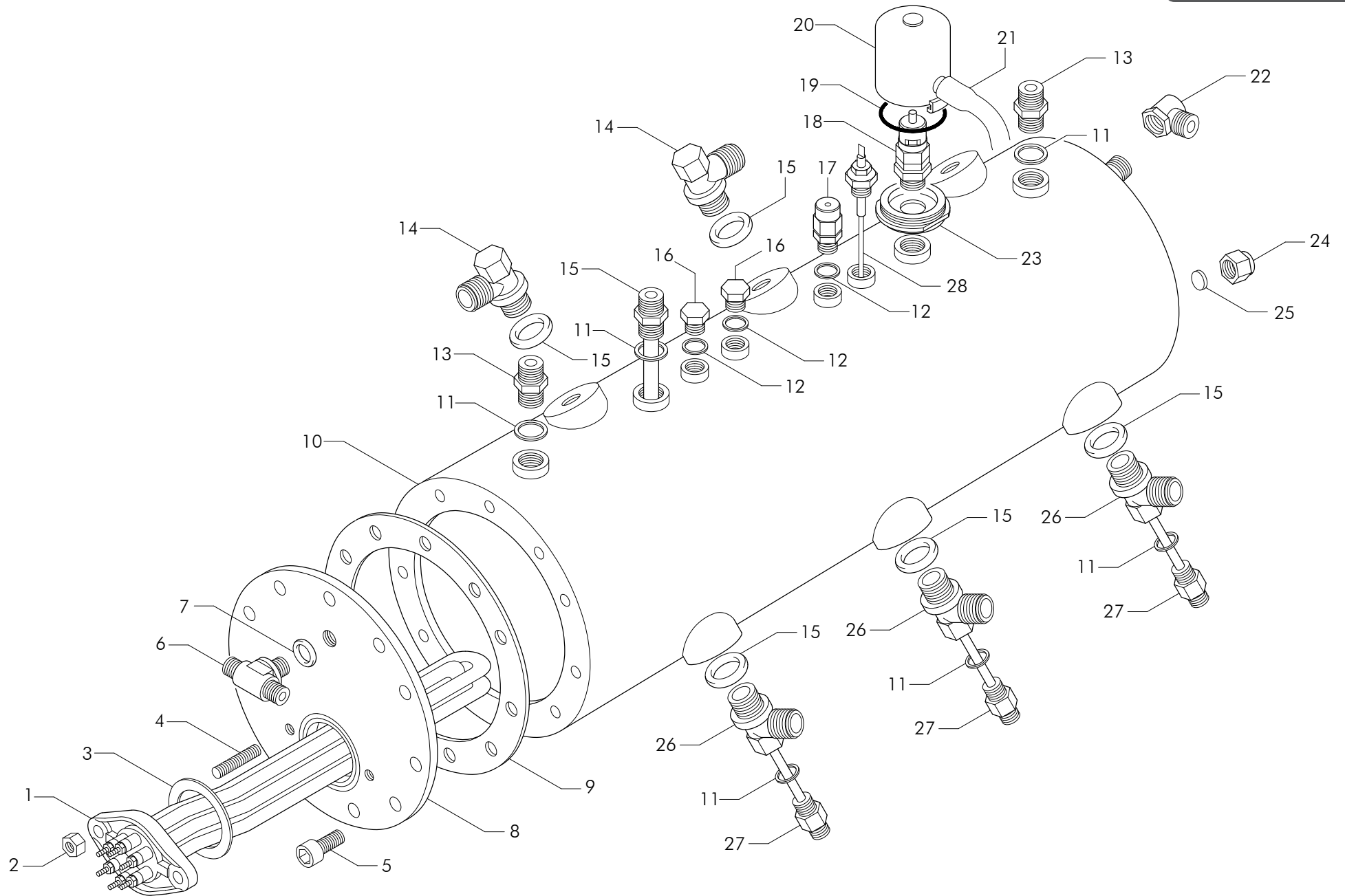
ALE 4GR

Pos	Cod.	Denominazione - IT -	Denomination - GB -	Denomination - FR -	Denomination - DE -
1	WY4617153	RESISTENZA 4GR 6P 230/240V 6000/6530W	HEATING EL. 4GR 220/240V 6530W 6P	RESISTANCE 4GR 220/240V 6530W 6P	HEIZKORPER 4GR 220/240V 6530W 6P
2	WY12001	GUARNIZIONE TEFLON 58x43x2	TEFLON GASKET 58x43x2	JOINT TEFLON 58x43x2	TEFLON DICHTUNG 58x23x2
3	WY23556	VITE TCEI INOX 10x20	STEEL SCREW TCCE 10X20	VIS INOX TCCE 10X20	STAHLSCHRAUBE TCCE 10x20
4	WY43060	RACCORDO 1/4x1/4x1/4 T	'T' CONNECTOR 1/4 + 1/4 + 1/4	RACCORD 'T' 1/4 + 1/4 + 1/4	T'-ANSCHLUSS 1/4+1/4+1/4
5	WY12100	GUARNIZIONE CU/ALIM 1/4 18.7x13.2x2.5	CU GASKET 1/4 18.7X13.2X2.5	JOINT CU 1/4 18.7X13.2X2.5	CU DICHTUNG 1/4 18.7x13.2x2.5
6	WY53011	FLANGIA	FLANGE	BRIDE	FLANSCH
7	WY12003	GUARNIZIONE CALDAIA	BOILER GASKET	JOINT CHAUDIERE	KESSELDICHTUNG
8	WY62350001	CALDAIA AL/4 AEA	BOILER 4GR AL AUT.WATER REFILL	CHAUDIERE 4GR AL REM.EAU AUT.	KESSEL AL/4 AUT.WASSERFULLUNG
9	WY12101	GUARNIZIONE RAME 3/8 22x17x3	GASKET COPPER 3/8 22x17x3	JOINT CUIVRE 3/8 22x17x3	KUPFERDICHTUNG 3/8 22x17x3
10	WY43052	RACCORDO "L" 3/8	CONNECTOR 'L' 3/8	RACCORD 'L' 3/8	ANSCHLUSS 'L' 3/8
11	WY12153	GUARNIZIONE RAME 1/4 17x13.3x1.5	GASKET 1/4 17x13.3x1.5 COPPER	JOINT CUIVRE 1/4 17x13.3x1.5	KUPFERDICHTUNG 1/4 17x13.3x1.5
12	WY56150	VALVOLA ANTIRISUCCHIO V.A.R.	ANTI-EDDY VALVE V.A.R.	SOUPAPE ANTI-DEPRESSION V.A.R.	VENTIL UNTERDRUCKFREI V.A.R.
13	WY52000119	TUBO D-10 L.125 PESCANTE L	TUBE D-10 L.125	TUYAU D-10 L.125	ROHR D-10 L.125
14	WY20251	SONDA LIVELLO L.125	LEVEL PROBE L.125	JAUG L.125	PEGELFUHLER L.125
15	WY20352	VALVOLA DI SICUREZZA *CE*	*CE* SAFETY VALVE	SOUPAPE DE SECURITE *CE*	SICHERHEITSVENTIL *CE*
16	WY15006001	FLANGIA VALVOLA SICUREZZA	FLANGE VALVE	JOINT VANNE	FLANSCH VENTIL
17	WY12300000	GUARNIZIONE OR	GASKET O RING	JOINT OR	OR DICHTUNG
18	WY56009980	ASSIEME PROTEZIONE VALVOLE SICUREZZA	UNIT PROTECTION VALVE	ENSEMBLE PROTECTION VANNE	SATZ-SCHUTZGITTER VENTIL
19	WY15478002	TUBO SILICONE 8x11 L.70cm	SILICONE TUBE 8x11 L.70cm	TUYAU SILICONE 8x11 L.70cm	SILIKONROHR 8x11 L.70cm
20	WY12154	GUARNIZIONE CU 3/8 22x17x1.5	GASKET COPPER 3/8 22x17x1,5	JOINT CUIVRE 3/8 22x17x1.5	KUPFERDICHTUNG 3/8 22x17x1.5
21	WY25785	TAPPO MASCHIO 3/8	MALE CAP 3/8	BOUCHON MALE 3/8	STOPFEN 3/8
22	WY43033	RACCORDO "T" 3/8x3/8x1/4	3/8x3/8x1/4 T FITTING	RACCORD "T" 3/8x3/8x1/4	ANSCHLUSS 3/8x3/8x1/4 T
23	WY12402	GUARNIZIONE PASTICCA 15x3	GASKET 15x3	JOINT 15x3	DICHTUNG 15x3
24	WY25781	TAPPO FEMMINA 3/8	FEMALE CAP 3/8	BOUCHON FEMELLE 3/8	STOPFEN 3/8



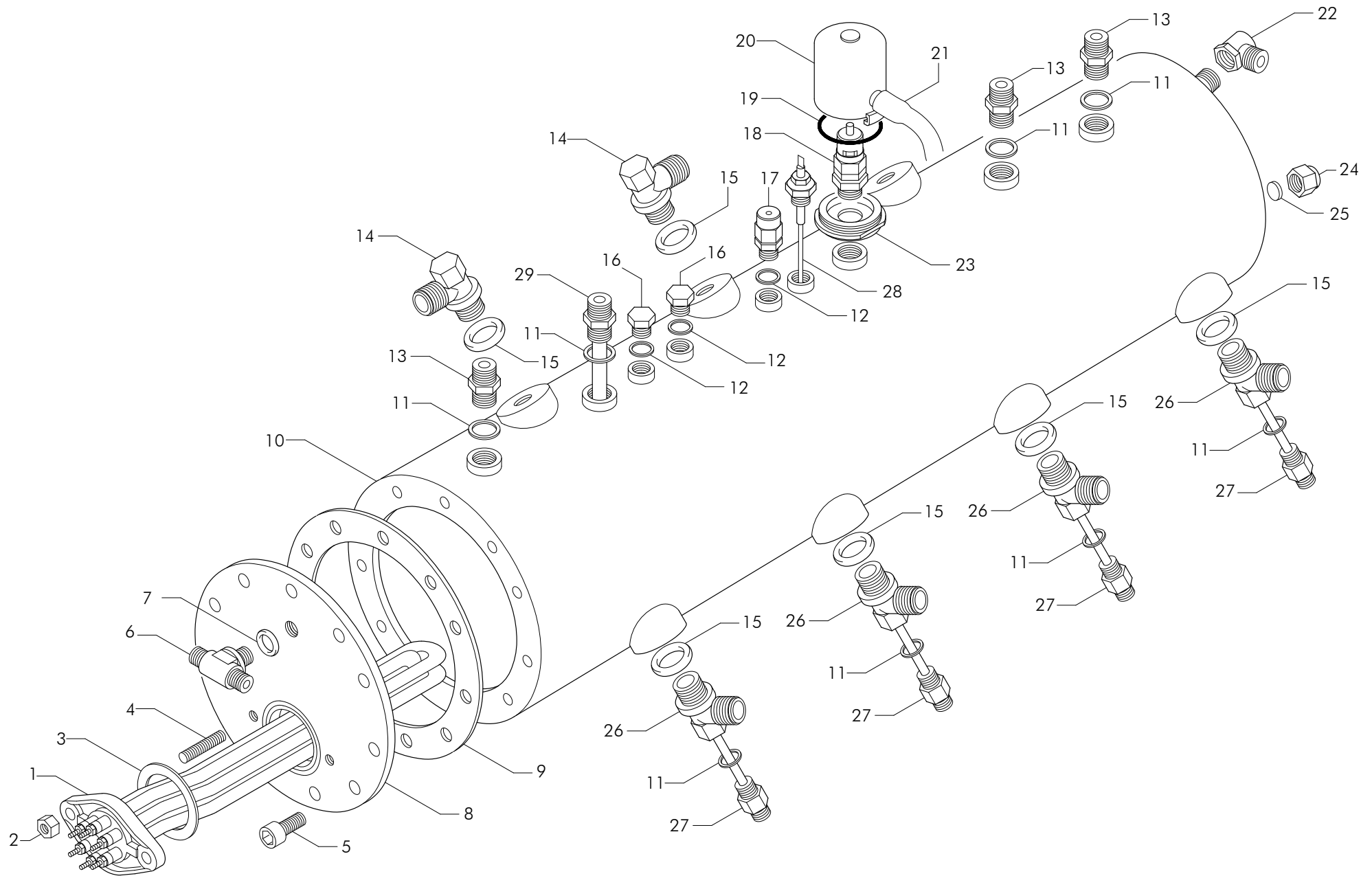
EMA 2GR

Pos	Cod.	Denominazione - IT -	Denomination - GB -	Denomination - FR -	Denomination - DE -
1	WY4617059	RESISTENZA 2GR 230/240V 3400/3700W	HEATING EL.2GR 220/240V 3400/3700W	RESISTANCE 2GR 220/240V 3400/3700W	HEIZKORPER 2GR 220/240V 3400/3700W
2	WY23049	DADO OTTONE M8	BRASS NUT M8	ECROU LAITON M8	MESSING-SCHRAUBENMUTTER M8
3	WY12001	GUARNIZIONE TEFLON 58x43x2	TEFLON GASKET 58x43x2	JOINT TEFLON 58x43x2	TEFLON DICHTUNG 58x23x2
4	WY23133	PRIGIONIERO INOX 8x40	STAINLESS STEEL BOLT 8x40	VIS INOX 8x40	STAHLSCHRAUBE 8x40 8x40
5	WY23556	VITE TCEI INOX 10x20	STEEL SCREW TCCE 10X20	VIS INOX TCCE 10X20	STAHLSCHRAUBE TCCE 10x20
6	WY43060	RACCORDO 1/4x1/4x1/4 T	'T' CONNECTOR 1/4 + 1/4 + 1/4	RACCORD 'T' 1/4 + 1/4 + 1/4	T'-ANSCHLUSS 1/4+1/4+1/4
7	WY12100	GUARNIZIONE CU/ALIM 1/4 18.7x13.2x2.5	CU GASKET 1/4 18.7X13.2X2.5	JOINT CU 1/4 18.7X13.2X2.5	CU DICHTUNG 1/4 18.7x13.2x2.5
8	WY53011	FLANGIA	FLANGE	BRIDE	FLANSCH
9	WY12003	GUARNIZIONE CALDAIA	BOILER GASKET	JOINT CHAUDIERE	KESSELDICHTUNG
10	WY62204001	CALDAIA 2GR ER SC.D-60	BOILER 2GR - DISTRIBUTION	CHAUDIERE 2GR - DEBIT	KESSEL 2GR - AUSGABE
11	WY12153	GUARNIZIONE RAME 1/4 17x13.3x1.5	GASKET 1/4 17x13.3x1.5 COPPER	JOINT CUIVRE 1/4 17x13.3x1.5	KUPFERDICHTUNG 1/4 17x13.3x1.5
12	WY25686	RACCORDO 1/4x1/4	CONNECTOR 1/4 x 1/4	RACCORD 1/4 x 1/4	ANSCHLUSS 1/4x1/4
13	WY12007	GUARNIZIONE KLINGERSIL4400	KLINGERSIL4400 SEAL	JOINT KLINGERSIL4400	DICHTUNG KLINGER SIL4400
14	WY25782	TAPPO FEMMINA 1/4 GAS	1/4 GAS FEMALE TAP	BOUCHON FEMELLE 1/4 GAZ	INNENANSCHLUSSSTOPSEL 1/4 GAS
15	WY12154	GUARNIZIONE CU 3/8 22x17x1.5	GASKET COPPER 3/8 22x17x1,5	JOINT CUIVRE 3/8 22x17x1.5	KUPFERDICHTUNG 3/8 22x17x1.5
16	WY25687	RACCORDO 3/8x3/8 GAS	3/8x3/8 GAS FITTING	RACCORD 3/8x3/8 GAZ	ANSCHLUSS 3/8x3/8 GAS
17	WY12105	GUARNIZIONE CU/ALIM 1/2 GAS	CU GASKET 1/2 GAS	JOINT CU 1/2 GAZ	CU DICHTUNG 1/2 GAS
18	WY4623214001	RACCORDO ORIENTABILE -L- 1/2 CW510L	ROTARY COUPLING	RACCORD ROTATIF	ROTARY KUPPLUNG
19	WY25780	TAPPO MASCHIO OTTONE 1/4	BRASS MALE CAP 1/4	BOUCHON MALE LAITON 1/4	MESSING-STOPFEN 1/4
20	WY52001612	TUBO D-10 L.115	TUBE D-10 L.115	TUYAU D-10 L.115	ROHR D-10 L.115
21	WY56150	VALVOLA ANTIRISUCCHIO V.A.R.	ANTI-EDDY VALVE V.A.R.	SOUPAPE ANTI-DEPRESSION V.A.R.	VENTIL UNTERDRUCKFREI V.A.R.
22	WY20352	VALVOLA DI SICUREZZA *CE*	*CE* SAFETY VALVE	SOUPAPE DE SECURITE *CE*	SICHERHEITSVENTIL *CE*
23	WY12300000	GUARNIZIONE OR	GASKET O RING	JOINT OR	OR DICHTUNG
24	WY56009980	ASSIEME PROTEZIONE VALVOLE SICUREZZA	UNIT PROTECTION VALVE	ENSEMBLE PROTECTION VANNE	SATZ-SCHUTZGITTER VENTIL
25	WY15478002	TUBO SILICONE 8x11 L.70cm	SILICONE TUBE 8x11 L.70cm	TUYAU SILICONE 8x11 L.70cm	SILIKONROHR 8x11 L.70cm
26	WY15006001	FLANGIA VALVOLA SICUREZZA	FLANGE VALVE	JOINT VANNE	FLANSCH VENTIL
26	WY20251	SONDA LIVELLO L.125	LEVEL PROBE L.125	JAUG L.125	PEGELFUHLER L.125
27	WY43070	RACC."L" 3/8F GAS CONICO x 3/8M GAS	CONNECTOR L 3/8 GAS x 3/8 GAS D6.2	RACCORD L 3/8 GAZ x 3/8 GAZ D6.2	FITTING L 3/8 GAS x 3/8 GAS D6.2
28	WY25781	TAPPO FEMMINA 3/8	FEMALE CAP 3/8	BOUCHON FEMELLE 3/8	STOPFEN 3/8
29	WY12402	GUARNIZIONE PASTICCA 15x3	GASKET 15x3	JOINT 15x3	DICHTUNG 15x3
30	WY4623215001	RACCORDO ORIENTABILE -T- 1/2 CW510L	ROTARY COUPLING	RACCORD ROTATIF	ROTARY KUPPLUNG
31	WY52002788	TUBO D-6 L.85 1-4GR	TUBE D6 L85 1-4GR	TUYAU D-6 L.85 1-4GR	ROHR D-6 L.85



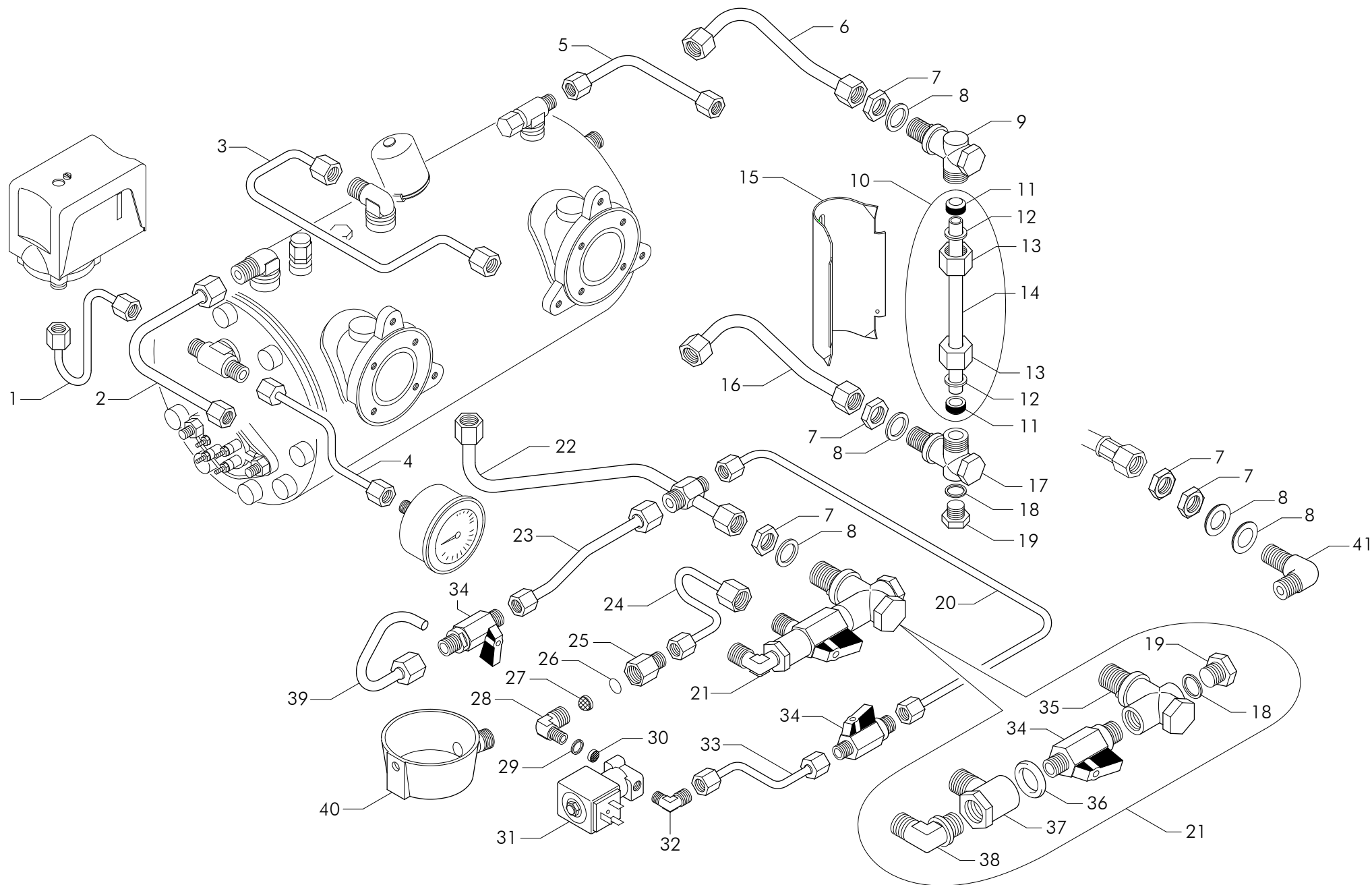
EMA 3GR

Pos	Cod.	Denominazione - IT -	Denomination - GB -	Denomination - FR -	Denomination - DE -
1	WY4617107	RESISTENZA 3GR 6P 230/240V 5000/5440W CW51	HEATING EL. 3GR 220/240V 5000/5440 6P	RESISTANCE 3GR 220/240V 5000/5440W	HEIZKORPER 3GR 220/240V 5000/5440W
2	WY23049	DADO OTTONE M8	BRASS NUT M8	ECROU LAITON M8	MESSING-SCHRAUBENMUTTER M8
3	WY12001	GUARNIZIONE TEFLON 58x43x2	TEFLON GASKET 58x43x2	JOINT TEFLON 58x43x2	TEFLON DICHTUNG 58x23x2
4	WY23133	PRIGIONIERO INOX 8x40	STAINLESS STEEL BOLT 8x40	VIS INOX 8x40	STAHLSCHRAUBE 8x40 8x40
5	WY23556	VITE TCEI INOX 10x20	STEEL SCREW TCCE 10X20	VIS INOX TCCE 10X20	STAHLSCHRAUBE TCCE 10x20
6	WY43060	RACCORDO 1/4x1/4x1/4 T	'T' CONNECTOR 1/4 + 1/4 + 1/4	RACCORD 'T' 1/4 + 1/4 + 1/4	T'-ANSCHLUSS 1/4+1/4+1/4
7	WY12100	GUARNIZIONE CU/ALIM 1/4 18.7x13.2x2.5	CU GASKET 1/4 18.7X13.2X2.5	JOINT CU 1/4 18.7X13.2X2.5	CU DICHTUNG 1/4 18.7x13.2x2.5
8	WY53011	FLANGIA	FLANGE	BRIDE	FLANSCH
9	WY12003	GUARNIZIONE CALDAIA	BOILER GASKET	JOINT CHAUDIERE	KESSELDICHTUNG
10	WY62281001	CALDAIA 3GR ER SC.D-60	BOILER 3GR - DISTRIUTION	CHAUDIERE 3GR - DEBIT	KESSEL 3GR - AUSGABE
11	WY12154	GUARNIZIONE CU 3/8 22x17x1.5	GASKET COPPER 3/8 22x17x1,5	JOINT CUIVRE 3/8 22x17x1.5	KUPFERDICHTUNG 3/8 22x17x1.5
12	WY12153	GUARNIZIONE RAME 1/4 17x13.3x1.5	GASKET 1/4 17x13.3x1.5 COPPER	JOINT CUIVRE 1/4 17x13.3x1.5	KUPFERDICHTUNG 1/4 17x13.3x1.5
13	WY25687	RACCORDO 3/8x3/8 GAS	3/8x3/8 GAS FITTING	RACCORD 3/8x3/8 GAZ	ANSCHLUSS 3/8x3/8 GAS
14	WY4623214001	RACCORDO ORIENTABILE -L- 1/2 CW510L	ROTARY COUPLING	RACCORD ROTATIF	ROTARY KUPPLUNG
15	WY12105	GUARNIZIONE CU/ALIM 1/2 GAS	CU GASKET 1/2 GAS	JOINT CU 1/2 GAZ	CU DICHTUNG 1/2 GAS
15	WY52001612	TUBO D-10 L.115	TUBE D-10 L.115	TUYAU D-10 L.115	ROHR D-10 L.115
16	WY25780	TAPPO MASCHIO OTTONE 1/4	BRASS MALE CAP 1/4	BOUCHON MALE LAITON 1/4	MESSING-STOPFEN 1/4
17	WY56150	VALVOLA ANTIRISUCCHIO V.A.R.	ANTI-EDDY VALVE V.A.R.	SOUPAPE ANTI-DEPRESSION V.A.R.	VENTIL UNTERDRUCKFREI V.A.R.
18	WY20352	VALVOLA DI SICUREZZA *CE*	*CE* SAFETY VALVE	SOUPAPE DE SECURITE *CE*	SICHERHEITSVENTIL *CE*
19	WY12300000	GUARNIZIONE OR	GASKET O RING	JOINT OR	OR DICHTUNG
20	WY56009980	ASSIEME PROTEZIONE VALVOLE SICUREZZA	UNIT PROTECTION VALVE	ENSEMBLE PROTECTION VANNE	SATZ-SCHUTZGITTER VENTIL
21	WY15451022	TUBO SILICONE D-4x8 L.400	SILICON TUBE D-4X8 L.400	TUYAU D-4X8 L.400 SILICONE	SILIKON ROHR D-4X8 L.400
22	WY43070	RACC."L" 3/8F GAS CONICO x 3/8M GAS	CONNECTOR L 3/8 GAS x 3/8 GAS D6.2	RACCORD L 3/8 GAZ x 3/8 GAZ D6.2	FITTING L 3/8 GAS x 3/8 GAS D6.2
23	WY15006001	FLANGIA VALVOLA SICUREZZA	FLANGE VALVE	JOINT VANNE	FLANSCH VENTIL
24	WY25781	TAPPO FEMMINA 3/8	FEMALE CAP 3/8	BOUCHON FEMELLE 3/8	STOPFEN 3/8
25	WY12402	GUARNIZIONE PASTICCA 15x3	GASKET 15x3	JOINT 15x3	DICHTUNG 15x3
26	WY4623215001	RACCORDO ORIENTABILE -T- 1/2 CW510L	ROTARY COUPLING	RACCORD ROTATIF	ROTARY KUPPLUNG
27	WY52002788	TUBO D-6 L.85 1-4GR	TUBE D6 L85 1-4GR	TUYAU D-6 L.85 1-4GR	ROHR D-6 L.85
28	WY20251	SONDA LIVELLO L.125	LEVEL PROBE L.125	JAUG L.125	PEGELFUHLER L.125



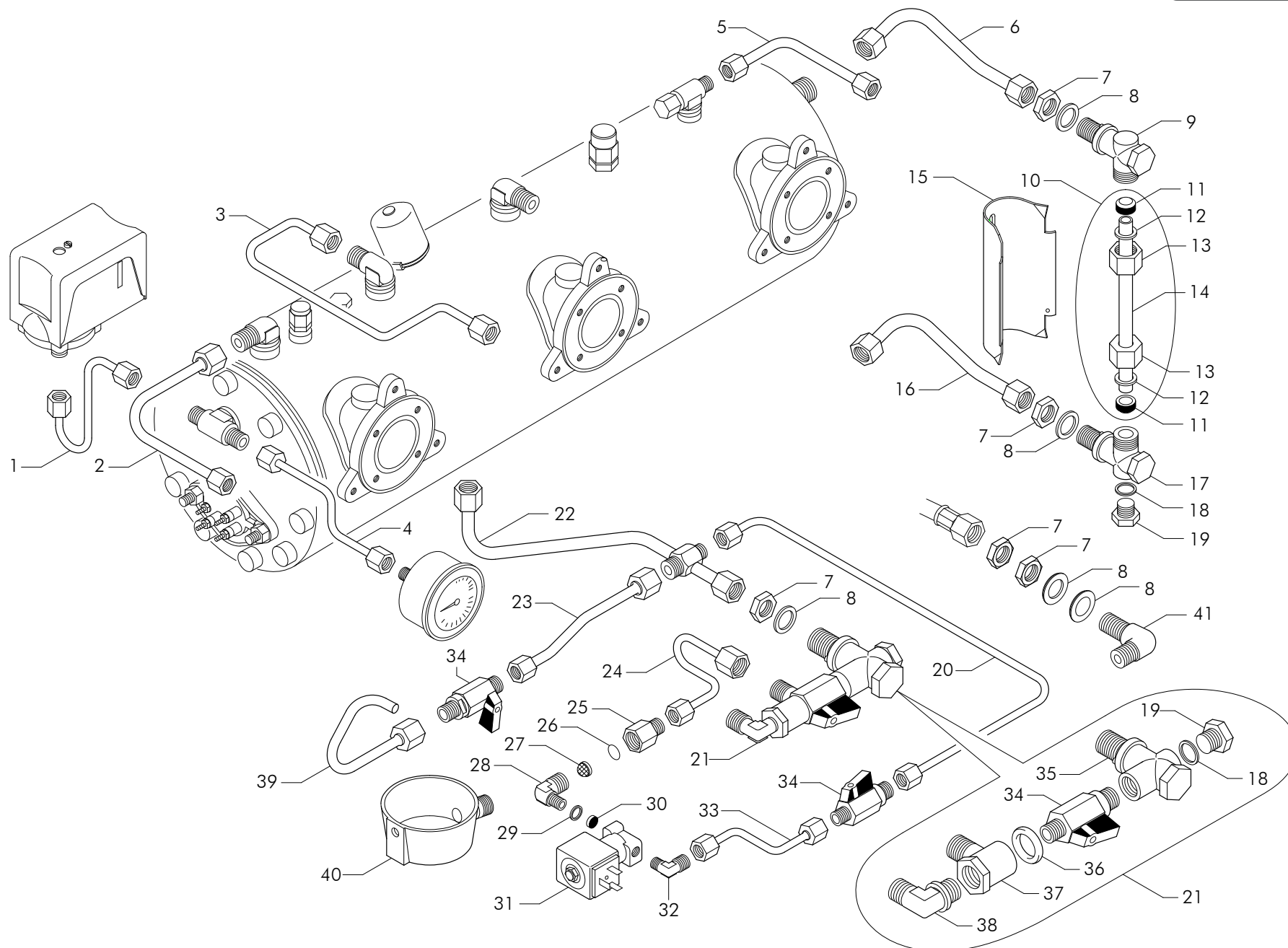
EMA 4GR

Pos	Cod.	Denominazione - IT -	Denomination - GB -	Denomination - FR -	Denomination - DE -
1	WY4617153	RESISTENZA 4GR 6P 230/240V 6000/6530W	HEATING EL. 4GR 220/240V 6530W 6P	RESISTANCE 4GR 220/240V 6530W 6P	HEIZKORPER 4GR 220/240V 6530W 6P
2	WY23049	DADO OTTONE M8	BRASS NUT M8	ECROU LAITON M8	MESSING-SCHRAUBENMUTTER M8
3	WY12001	GUARNIZIONE TEFLON 58x43x2	TEFLON GASKET 58x43x2	JOINT TEFLON 58x43x2	TEFLON DICHTUNG 58x23x2
4	WY23133	PRIGIONIERO INOX 8x40	STAINLESS STEEL BOLT 8x40	VIS INOX 8x40	STAHLSCHRAUBE 8x40 8x40
5	WY23556	VITE TCEI INOX 10x20	STEEL SCREW TCCE 10X20	VIS INOX TCCE 10X20	STAHLSCHRAUBE TCCE 10x20
6	WY43060	RACCORDO 1/4x1/4x1/4 T	'T' CONNECTOR 1/4 + 1/4 + 1/4	RACCORD 'T' 1/4 + 1/4 + 1/4	T'-ANSCHLUSS 1/4+1/4+1/4
7	WY12100	GUARNIZIONE CU/ALIM 1/4 18.7x13.2x2.5	CU GASKET 1/4 18.7X13.2X2.5	JOINT CU 1/4 18.7X13.2X2.5	CU DICHTUNG 1/4 18.7x13.2x2.5
8	WY53011	FLANGIA	FLANGE	BRIDE	FLANSCH
9	WY12003	GUARNIZIONE CALDAIA	BOILER GASKET	JOINT CHAUDIERE	KESSELDICHTUNG
10	WY62380001	CALDAIA 4GR ER SC.D-60	BOILER 4GR - DISTRIBUTION	CHAUDIERE 4GR - DEBIT	KESSEL 4GR - AUSGABE
11	WY12154	GUARNIZIONE CU 3/8 22x17x1.5	GASKET COPPER 3/8 22x17x1,5	JOINT CUIVRE 3/8 22x17x1.5	KUPFERDICHTUNG 3/8 22x17x1.5
12	WY12153	GUARNIZIONE RAME 1/4 17x13.3x1.5	GASKET 1/4 17x13.3x1.5 COPPER	JOINT CUIVRE 1/4 17x13.3x1.5	KUPFERDICHTUNG 1/4 17x13.3x1.5
13	WY25687	RACCORDO 3/8x3/8 GAS	3/8x3/8 GAS FITTING	RACCORD 3/8x3/8 GAZ	ANSCHLUSS 3/8x3/8 GAS
14	WY4623214001	RACCORDO ORIENTABILE -L- 1/2 CW510L	ROTARY COUPLING	RACCORD ROTATIF	ROTARY KUPPLUNG
15	WY12105	GUARNIZIONE CU/ALIM 1/2 GAS	CU GASKET 1/2 GAS	JOINT CU 1/2 GAZ	CU DICHTUNG 1/2 GAS
16	WY25780	TAPPO MASCHIO OTTONE 1/4	BRASS MALE CAP 1/4	BOUCHON MALE LAITON 1/4	MESSING-STOPFEN 1/4
17	WY56150	VALVOLA ANTIRISUCCHIO V.A.R.	ANTI-EDDY VALVE V.A.R.	SOUPAPE ANTI-DEPRESSION V.A.R.	VENTIL UNTERDRUCKFREI V.A.R.
18	WY20352	VALVOLA DI SICUREZZA *CE*	*CE* SAFETY VALVE	SOUPAPE DE SECURITE *CE*	SICHERHEITSVENTIL *CE*
19	WY12300000	GUARNIZIONE OR	GASKET O RING	JOINT OR	OR DICHTUNG
20	WY56009980	ASSIEME PROTEZIONE VALVOLE SICUREZZA	UNIT PROTECTION VALVE	ENSEMBLE PROTECTION VANNE	SATZ-SCHUTZGITTER VENTIL
21	WY15451022	TUBO SILICONE D-4x8 L.400	SILICON TUBE D-4X8 L.400	TUYAU D-4X8 L.400 SILICONE	SILIKON ROHR D-4X8 L.400
22	WY43070	RACC."L" 3/8F GAS CONICO x 3/8M GAS	CONNECTOR L 3/8 GAS x 3/8 GAS D6.2	RACCORD L 3/8 GAZ x 3/8 GAZ D6.2	FITTING L 3/8 GAS x 3/8 GAS D6.2
23	WY15006001	FLANGIA VALVOLA SICUREZZA	FLANGE VALVE	JOINT VANNE	FLANSCH VENTIL
24	WY25781	TAPPO FEMMINA 3/8	FEMALE CAP 3/8	BOUCHON FEMELLE 3/8	STOPFEN 3/8
25	WY12402	GUARNIZIONE PASTICCA 15x3	GASKET 15x3	JOINT 15x3	DICHTUNG 15x3
26	WY4623215001	RACCORDO ORIENTABILE -T- 1/2 CW510L	ROTARY COUPLING	RACCORD ROTATIF	ROTARY KUPPLUNG
27	WY52002788	TUBO D-6 L.85 1-4GR	TUBE D6 L85 1-4GR	TUYAU D-6 L.85 1-4GR	ROHR D-6 L.85
28	WY20251	SONDA LIVELLO L.125	LEVEL PROBE L.125	JAUG L.125	PEGELFUHLER L.125
29	WY52001612	TUBO D-10 L.115	TUBE D-10 L.115	TUYAU D-10 L.115	ROHR D-10 L.115



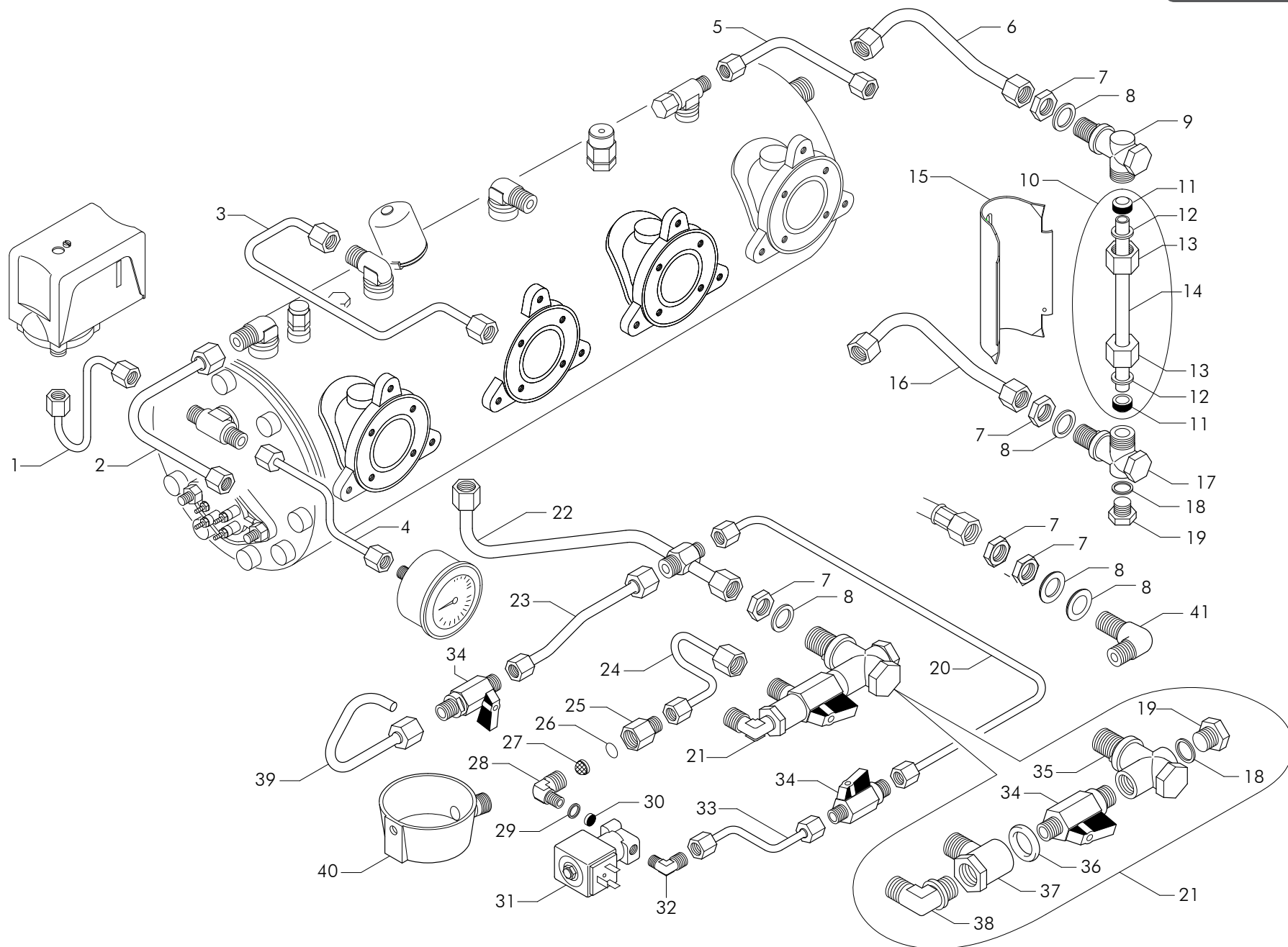
ALE 2GR

Pos	Cod.	Denominazione - IT -	Denomination - GB -	Denomination - FR -	Denomination - DE -
1	WY52004410	TBS.D-6 L.320	TUBE D-6 L.320	TUYAU D-6 L.320	ROHR D-6 L.320
2	WY52004407	TBS.D-8 L.162	TUBE D-8 L.162	TUYAU D-8 L.162	ROHR D-8 L.162
3	WY52004408	TBS.D-6 L.285	TUBE D-6 L.285	TUYAU D-6 L.285	ROHR D-6 L.285
4	WY52000087	TUBO D-4 L.330	TUBE D-6 L.330	TUYAU D-6 L.330	ROHR D-6 L.330
5	WY52004406	TBS.D-8 L.192	TUBE D-8 L.192	TUYAU D-8 L.192	ROHR D-8 L.192
6	WY52000007	TUBO D-10 L.135	TUBE D-10 L.135	TUYAU D-10 L.135	ROHR D-10 L.135
7	WY25356	CONTRODADO OTTONE 3/8	BRASS LOCK NUT 3/8	CONTRE-ECROU LAITON 3/8	MESSING-GEGENMUTTER 3/8
8	WY25651	RONDELLA OTTONE 3/8	BRASS WASHER 3/8	RONDELLE LAITON 3/8	MESSINGSCHIEBE 3/8
9	WY53002	CORPO LIVELLO SUPERIORE	UPPER LEVEL CONNECTOR	CORPS DE NIVEAU SUPERIEUR	OBERNIVEAUKORPER
10	WY56001	ASSIEME TUBO LIVELLO	LEVEL TUBE UNIT	ENSEMBLE TUBE DE NIVEAU	ROHRSATZ FUR NIVEAU
11	WY12200	GUARNIZIONE 16x10x8	GASKET 16X10X8	JOINT 16X10X8	DICHTUNG 16x10x8
12	WY25652	RONDELLA OTTONE D17.8	BRASS WASHER D.17.8	RONDELLE LAITON D.17.8	MESSING-SCHIEBE D.17.8
13	WY25383	DADO OTTONE M20x1.5	BRASS NUT 20X1.5	ECROU LAITON 20X1.5	MESSING-MUTTER 20x1.5
14	WY21300	TUBO VETRO LIVELLO 11x8x170	GLASS LEVEL TUBE 11X8X170	TUBE NIVEAU EN VERRE 11X8X170	NIVEAU GLASROHR 11x8x170
15	WY44002	COPRILIVELLO VERNICIATO BIANCO	LEVEL INDICATOR COVER PAINTED WHITE	COUVRE-NIVEAU LAQUE BLANC	NIVEAUDECKEL
16	WY52000004	TUBO D-10 L.155	TUBE D-10 L.155	TUYAU D-10 L.155	ROHR D-10 L.155
17	WY53001	CORPO LIVELLO INFERIORE	LOWER LEVEL CONNECTOR	CORPS DE NIVEAU INFERIEUR	UNTERNIVEAUKORPER
18	WY12153	GUARNIZIONE RAME 1/4 17x13.3x1.5	GASKET 1/4 17x13.3x1.5 COPPER	JOINT CUIVRE 1/4 17x13.3x1.5	KUPFERDICHTUNG 1/4 17x13.3x1.5
19	WY25780	TAPPO MASCHIO OTTONE 1/4	BRASS MALE CAP 1/4	BOUCHON MALE LAITON 1/4	MESSING-STOPFEN 1/4
20	WY52000205	TUBO D-6 L.230	TUBE D-6 L.230	TUYAU D-6 L.230	ROHR D. 6 L.230
21	WY56134001	ASSIEME BLOCCHETTO POMPA	UNIT PUMP	ENSEMBLE POMPE	PUMPENSATZ
22	WY52001513	TUBO D-10 L.320	TUBE D-10 L.320	TUYAU D-10 L.320	ROHR D-10 L.320
23	WY52000361	TUBO D-8 L.135	TUBE D-8 L.135	TUYAU D-8 L.135	ROHR D-8 L.135
24	WY52004409	TBS.D-6 L.85	TUBE D-6 L.85	TUYAU D-6 L.85	ROHR D-6 L.85
25	WY25705	RACCORDO FILTRO AEA	AUT.WATER REFILL FILTER CONNECTOR	RACCORD FILTRE REM.EAU.AUT.	FILTERFITTING AUT.WASSERFULLUNG
26	WY12312	GUARNIZIONE OR FILTRO AEA 10x2	O RING FOR WATER REFILL FILTER 10x2	JOINT OR FILTRE AUT.REM.EAU 10X2	OR DICHTUNG FUR WASSERFULLUNGFILTER
27	WY10254	FILTRO ACCIAIO 160-200 MESH	STEEL FILTER 160-200 MESH	FILTRE EN ACIER 160-200 MESH	STAHLFILTER 160-200 MESH
28	WY23206	RACCORDO -L- D10 3/8x1/8CON	ELBOW BRASS CONNECTOR D10 3/8X1/8	RACCORD COUDE LAITON D10 3/8X1/8	MESSING FITTING D10 3/8x1/8
29	WY12155	GUARNIZIONE RAME 8.5x5x1	COPPER GASKET 8.5X5X1	JOINT CU 8.5X5X1	CU DICHTUNG 8.5x5x1
30	WY10251001	FILTRO IN ACCIAIO D-8 Sp.0,3	STEEL FILTER D-8 - 0.3 THICK	FILTRE EN ACIER D-8 Ep.0,3	STAHLFILTER D-8 Sp.0,3
31	WY4618162005	ELETTROVALVOLA AEA 220-240V 50-60Hz VDE	SOL.VALVE WATER REFILL 220/240 50/60HZ	ELECTROVANNE REA 220/240V 50/60Hz VDE/	ELEKTROVENTIL AWZ 230/250 V 50/60 Hz
31	WY4618195	ELETTROVALVOLA AEA 110-120V/50-60Hz CW510L	SOL.VALVE WATER REFILL 110/120V 50/60HZ	ELECTROVANNE REA 110/120V 50/60Hz NSF	ELEKTROVENTIL AWZ 110/120V 50/60Hz NSF
32	WY23201	RACCORDO GOM.D6.2 1/4M 1/8M-AEA	ELBOW BRASS CONNECTOR D6.2 1/4M 1/8M	RACCORD COUDE LAITON D6.2 1/4M 1/8M	MESSING-ANSCHLUSS D6.2 1/4M 1/8M
33	WY52002977	TBS.D-6 L.65 W240 E.V. AEA > RUB.CARIC	TUBE D-6 L.75	TUYAU D-6 L.75	ROHR D-6 L.75
34	WY20354	VALVOLA CHIUSURA AEA	PRESSURE RELEASE TAP BULK UNIT	CLAPET FERMETURE AUT.ARRIVEE EAU	ABSPERRVENTIL x AUT.WASSERZUFUHR
35	WY53001001	CORPO LIVELLO INFERIORE	LOWER LEVEL CONNECTOR	CORPS DE NIVEAU INFERIEUR	UNTERNIVEAUKORPER
36	WY12100	GUARNIZIONE CU/ALIM 1/4 18.7x13.2x2.5	CU GASKET 1/4 18.7X13.2X2.5	JOINT CU 1/4 18.7X13.2X2.5	CU DICHTUNG 1/4 18.7x13.2x2.5
37	WY43030001	RACCORDO INIETTORE 3/8Fx3/8Mx14F	3/8Fx3/8Mx14F INJECTOR FITTING	RACC. INJECTEUR 3/8Fx3/8Mx14F	ANSCHLUSS EINSPRITZER 3/8Fx3/8Mx14F
38	WY43052	RACCORDO "L" 3/8	CONNECTOR 'L' 3/8	RACCORD 'L' 3/8	ANSCHLUSS 'L' 3/8
39	WY52000267	TUBO D-8 L.100	TUBE D-8 L.100	TUYAU D-8 L.100	ROHR D. 8 L.100
40	WY15502	VASCHETTA SCARICO ROTONDA D 80	ROUND DRAIN BASIN D.80mm	CUVE A VIDANGER RONDE D.80mm	RUNDE ABFLUSSCHALE D.80mm
41	WY43067	RACCORDO "L" 3/8 GASx3/8 GAS L.30	3/8 GAS X 3/8 GAS L FITTING L.30	RACCORD L 3/8 GAZx3/8 GAZ L.30	ANSCHLUSS L 3/8 GAS x 3/8 GAS L. 30



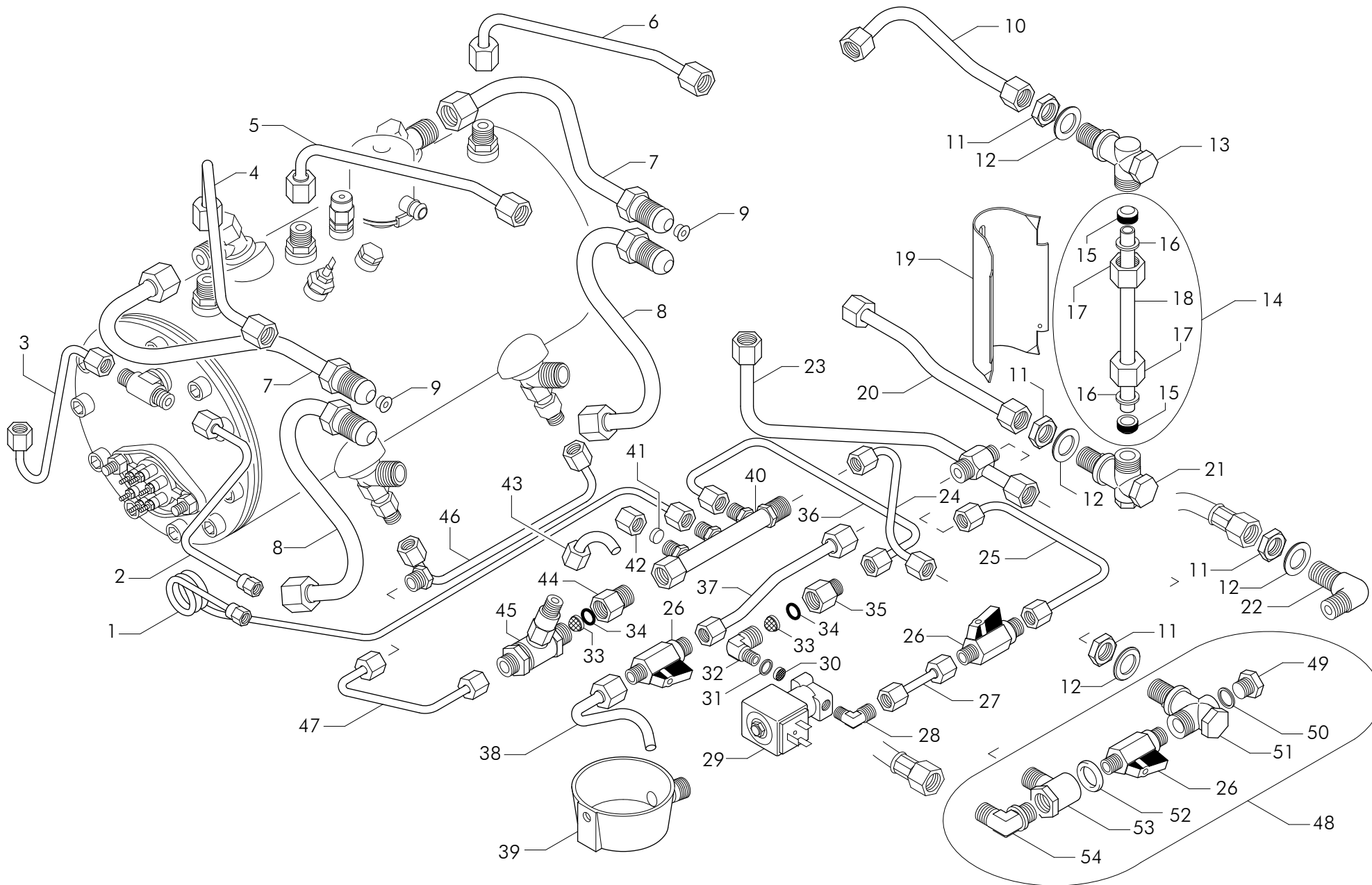
ALE 3GR

Pos	Cod.	Denominazione - IT -	Denomination - GB -	Denomination - FR -	Denomination - DE -
1	WY52004410	TBS.D-6 L.320	TUBE D-6 L.320	TUYAU D-6 L.320	ROHR D-6 L.320
2	WY52004407	TBS.D-8 L.162	TUBE D-8 L.162	TUYAU D-8 L.162	ROHR D-8 L.162
3	WY52004408	TBS.D-6 L.285	TUBE D-6 L.285	TUYAU D-6 L.285	ROHR D-6 L.285
4	WY52000087	TUBO D-4 L.330	TUBE D-6 L.330	TUYAU D-6 L.330	ROHR D-6 L.330
5	WY52004406	TBS.D-8 L.192	TUBE D-8 L.192	TUYAU D-8 L.192	ROHR D-8 L.192
6	WY52000007	TUBO D-10 L.135	TUBE D-10 L.135	TUYAU D-10 L.135	ROHR D-10 L.135
7	WY25356	CONTRODADO OTTONE 3/8	BRASS LOCK NUT 3/8	CONTRE-ECROU LAITON 3/8	MESSING-GEGENMUTTER 3/8
8	WY25651	RONDELLA OTTONE 3/8	BRASS WASHER 3/8	RONDELLE LAITON 3/8	MESSINGSCHIEBE 3/8
9	WY53002	CORPO LIVELLO SUPERIORE	UPPER LEVEL CONNECTOR	CORPS DE NIVEAU SUPERIEUR	OBERNIVEAUKORPER
10	WY56001	ASSIEME TUBO LIVELLO	LEVEL TUBE UNIT	ENSEMBLE TUBE DE NIVEAU	ROHRSATZ FUR NIVEAU
11	WY12200	GUARNIZIONE 16x10x8	GASKET 16X10X8	JOINT 16X10X8	DICHTUNG 16x10x8
12	WY25652	RONDELLA OTTONE D17.8	BRASS WASHER D.17.8	RONDELLE LAITON D.17.8	MESSING-SCHIEBE D.17.8
13	WY25383	DADO OTTONE M20x1.5	BRASS NUT 20X1.5	ECROU LAITON 20X1.5	MESSING-MUTTER 20x1.5
14	WY21300	TUBO VETRO LIVELLO 11x8x170	GLASS LEVEL TUBE 11X8X170	TUBE NIVEAU EN VERRE 11X8X170	NIVEAU GLASROHR 11x8x170
15	WY44002	COPRILIVELLO VERNICIATO BIANCO	LEVEL INDICATOR COVER PAINTED WHITE	COUVRE-NIVEAU LAQUE BLANC	NIVEAUDECKEL
16	WY52000004	TUBO D-10 L.155	TUBE D-10 L.155	TUYAU D-10 L.155	ROHR D-10 L.155
17	WY53001	CORPO LIVELLO INFERIORE	LOWER LEVEL CONNECTOR	CORPS DE NIVEAU INFERIEUR	UNTERNIVEAUKORPER
18	WY12153	GUARNIZIONE RAME 1/4 17x13.3x1.5	GASKET 1/4 17x13.3x1.5 COPPER	JOINT CUIVRE 1/4 17x13.3x1.5	KUPFERDICHTUNG 1/4 17x13.3x1.5
19	WY25780	TAPPO MASCHIO OTTONE 1/4	BRASS MALE CAP 1/4	BOUCHON MALE LAITON 1/4	MESSING-STOPFEN 1/4
20	WY52000205	TUBO D-6 L.230	TUBE D-6 L.230	TUYAU D-6 L.230	ROHR D. 6 L.230
21	WY56134001	ASSIEME BLOCCHETTO POMPA	UNIT PUMP	ENSEMBLE POMPE	PUMPENSATZ
22	WY52001513	TUBO D-10 L.320	TUBE D-10 L.320	TUYAU D-10 L.320	ROHR D-10 L.320
23	WY52000361	TUBO D-8 L.135	TUBE D-8 L.135	TUYAU D-8 L.135	ROHR D-8 L.135
24	WY52004409	TBS.D-6 L.85	TUBE D-6 L.85	TUYAU D-6 L.85	ROHR D-6 L.85
25	WY25705	RACCORDO FILTRO AEA	AUT.WATER REFILL FILTER CONNECTOR	RACCORD FILTRE REM.EAU.AUT.	FILTERFITTING AUT.WASSERFULLUNG
26	WY12312	GUARNIZIONE OR FILTRO AEA 10x2	O RING FOR WATER REFILL FILTER 10x2	JOINT OR FILTRE AUT.REM.EAU 10X2	OR DICHTUNG FUR WASSERFULLUNGFILTER
27	WY10254	FILTRO ACCIAIO 160-200 MESH	STEEL FILTER 160-200 MESH	FILTRE EN ACIER 160-200 MESH	STAHLFILTER 160-200 MESH
28	WY23206	RACCORDO -L- D10 3/8x1/8CON	ELBOW BRASS CONNECTOR D10 3/8X1/8	RACCORD COUDE LAITON D10 3/8X1/8	MESSING FITTING D10 3/8x1/8
29	WY12155	GUARNIZIONE RAME 8.5x5x1	COPPER GASKET 8.5X5X1	JOINT CU 8.5X5X1	CU DICHTUNG 8.5x5x1
30	WY10251001	FILTRO IN ACCIAIO D-8 Sp.0,3	STEEL FILTER D-8 - 0.3 THICK	FILTRE EN ACIER D-8 Ep.0,3	STAHLFILTER D-8 Sp.0,3
31	WY4618162005	ELETTROVALVOLA AEA 220-240V 50-60Hz VDE	SOL.VALVE WATER REFILL 220/240 50/60HZ	ELECTROVANNE REA 220/240V 50/60Hz VDE/	ELEKTROVENTIL AWZ 230/250 V 50/60 Hz
31	WY4618195	ELETTROVALVOLA AEA 110-120V/50-60Hz CW510L	SOL.VALVE WATER REFILL 110/120V 50/60HZ	ELECTROVANNE REA 110/120V 50/60Hz NSF	ELEKTROVENTIL AWZ 110/120V 50/60Hz NSF
32	WY23201	RACCORDO GOM.D6.2 1/4M 1/8M-AEA	ELBOW BRASS CONNECTOR D6.2 1/4M 1/8M	RACCORD COUDE LAITON D6.2 1/4M 1/8M	MESSING-ANSCHLUSS D6.2 1/4M 1/8M
33	WY52002977	TBS.D-6 L.65 W240 E.V. AEA > RUB.CARIC	TUBE D-6 L.75	TUYAU D-6 L.75	ROHR D-6 L.75
34	WY20354	VALVOLA CHIUSURA AEA	PRESSURE RELEASE TAP BULK UNIT	CLAPET FERMETURE AUT.ARRIVEE EAU	ABSPERRVENTIL x AUT.WASSERZUFUHR
35	WY53001001	CORPO LIVELLO INFERIORE	LOWER LEVEL CONNECTOR	CORPS DE NIVEAU INFERIEUR	UNTERNIVEAUKORPER
36	WY12100	GUARNIZIONE CU/ALIM 1/4 18.7x13.2x2.5	CU GASKET 1/4 18.7X13.2X2.5	JOINT CU 1/4 18.7X13.2X2.5	CU DICHTUNG 1/4 18.7x13.2x2.5
37	WY43030001	RACCORDO INIETTORE 3/8Fx3/8Mx14F	3/8Fx3/8Mx14F INJECTOR FITTING	RACC. INJECTEUR 3/8Fx3/8Mx14F	ANSCHLUSS EINSPRITZER 3/8Fx3/8Mx14F
38	WY43052	RACCORDO "L" 3/8	CONNECTOR 'L' 3/8	RACCORD 'L' 3/8	ANSCHLUSS 'L' 3/8
39	WY52000362	TUBO D-8 L.255	TUBE D-8 L.255	TUYAU D-8 L.255	ROHR D-8 L.255
40	WY15502	VASCHETTA SCARICO ROTONDA D 80	ROUND DRAIN BASIN D.80mm	CUVE A VIDANGER RONDE D.80mm	RUNDE ABFLUSSCHALE D.80mm
41	WY43067	RACCORDO "L" 3/8 GASx3/8 GAS L.30	3/8 GAS X 3/8 GAS L FITTING L.30	RACCORD L 3/8 GAZx3/8 GAZ L.30	ANSCHLUSS L 3/8 GAS x 3/8 GAS L. 30



ALE 4GR

Pos	Cod.	Denominazione - IT -	Denomination - GB -	Denomination - FR -	Denomination - DE -
1	WY52004410	TBS.D-6 L.320	TUBE D-6 L.320	TUYAU D-6 L.320	ROHR D-6 L.320
2	WY52004407	TBS.D-8 L.162	TUBE D-8 L.162	TUYAU D-8 L.162	ROHR D-8 L.162
3	WY52004408	TBS.D-6 L.285	TUBE D-6 L.285	TUYAU D-6 L.285	ROHR D-6 L.285
4	WY52000087	TUBO D-4 L.330	TUBE D-6 L.330	TUYAU D-6 L.330	ROHR D-6 L.330
5	WY52004406	TBS.D-8 L.192	TUBE D-8 L.192	TUYAU D-8 L.192	ROHR D-8 L.192
6	WY52000007	TUBO D-10 L.135	TUBE D-10 L.135	TUYAU D-10 L.135	ROHR D-10 L.135
7	WY25356	CONTRODADO OTTONE 3/8	BRASS LOCK NUT 3/8	CONTRE-ECROU LAITON 3/8	MESSING-GEGENMUTTER 3/8
8	WY25651	RONDELLA OTTONE 3/8	BRASS WASHER 3/8	RONDELLE LAITON 3/8	MESSINGSCHIEBE 3/8
9	WY53002	CORPO LIVELLO SUPERIORE	UPPER LEVEL CONNECTOR	CORPS DE NIVEAU SUPERIEUR	OBERNIVEAUKORPER
10	WY56001	ASSIEME TUBO LIVELLO	LEVEL TUBE UNIT	ENSEMBLE TUBE DE NIVEAU	ROHRSATZ FUR NIVEAU
11	WY12200	GUARNIZIONE 16x10x8	GASKET 16X10X8	JOINT 16X10X8	DICHTUNG 16x10x8
12	WY25652	RONDELLA OTTONE D17.8	BRASS WASHER D.17.8	RONDELLE LAITON D.17.8	MESSING-SCHIEBE D.17.8
13	WY25383	DADO OTTONE M20x1.5	BRASS NUT 20X1.5	ECROU LAITON 20X1.5	MESSING-MUTTER 20x1.5
14	WY21300	TUBO VETRO LIVELLO 11x8x170	GLASS LEVEL TUBE 11X8X170	TUBE NIVEAU EN VERRE 11X8X170	NIVEAU GLASROHR 11x8x170
15	WY44002	COPRILIVELLO VERNICIATO BIANCO	LEVEL INDICATOR COVER PAINTED WHITE	COUVRE-NIVEAU LAQUE BLANC	NIVEAUDECKEL
16	WY52000004	TUBO D-10 L.155	TUBE D-10 L.155	TUYAU D-10 L.155	ROHR D-10 L.155
17	WY53001	CORPO LIVELLO INFERIORE	LOWER LEVEL CONNECTOR	CORPS DE NIVEAU INFERIEUR	UNTERNIVEAUKORPER
18	WY12153	GUARNIZIONE RAME 1/4 17x13.3x1.5	GASKET 1/4 17x13.3x1.5 COPPER	JOINT CUIVRE 1/4 17x13.3x1.5	KUPFERDICHTUNG 1/4 17x13.3x1.5
19	WY25780	TAPPO MASCHIO OTTONE 1/4	BRASS MALE CAP 1/4	BOUCHON MALE LAITON 1/4	MESSING-STOPFEN 1/4
20	WY52000205	TUBO D-6 L.230	TUBE D-6 L.230	TUYAU D-6 L.230	ROHR D. 6 L.230
21	WY56134001	ASSIEME BLOCCHETTO POMPA	UNIT PUMP	ENSEMBLE POMPE	PUMPENSATZ
22	WY52001513	TUBO D-10 L.320	TUBE D-10 L.320	TUYAU D-10 L.320	ROHR D-10 L.320
23	WY52000361	TUBO D-8 L.135	TUBE D-8 L.135	TUYAU D-8 L.135	ROHR D-8 L.135
24	WY52004409	TBS.D-6 L.85	TUBE D-6 L.85	TUYAU D-6 L.85	ROHR D-6 L.85
25	WY25705	RACCORDO FILTRO AEA	AUT.WATER REFILL FILTER CONNECTOR	RACCORD FILTRE REM.EAU.AUT.	FILTERFITTING AUT.WASSERFULLUNG
26	WY12312	GUARNIZIONE OR FILTRO AEA 10x2	O RING FOR WATER REFILL FILTER 10x2	JOINT OR FILTRE AUT.REM.EAU 10X2	OR DICHTUNG FUR WASSERFULLUNGFILTER
27	WY10254	FILTRO ACCIAIO 160-200 MESH	STEEL FILTER 160-200 MESH	FILTRE EN ACIER 160-200 MESH	STAHLFILTER 160-200 MESH
28	WY23206	RACCORDO -L- D10 3/8x1/8CON	ELBOW BRASS CONNECTOR D10 3/8X1/8	RACCORD COUDE LAITON D10 3/8X1/8	MESSING FITTING D10 3/8x1/8
29	WY12155	GUARNIZIONE RAME 8.5x5x1	COPPER GASKET 8.5X5X1	JOINT CU 8.5X5X1	CU DICHTUNG 8.5x5x1
30	WY10251001	FILTRO IN ACCIAIO D-8 Sp.0,3	STEEL FILTER D-8 - 0.3 THICK	FILTRE EN ACIER D-8 Ep.0,3	STAHLFILTER D-8 Sp.0,3
31	WY4618162005	ELETTROVALVOLA AEA 220-240V 50-60Hz VDE	SOL.VALVE WATER REFILL 220/240 50/60HZ	ELECTROVANNE REA 220/240V 50/60Hz VDE/	ELEKTROVENTIL AWZ 230/250 V 50/60 Hz
31	WY4618195	ELETTROVALVOLA AEA 110-120V/50-60Hz CW510L	SOL.VALVE WATER REFILL 110/120V 50/60HZ	ELECTROVANNE REA 110/120V 50/60Hz NSF	ELEKTROVENTIL AWZ 110/120V 50/60Hz NSF
32	WY23201	RACCORDO GOM.D6.2 1/4M 1/8M-AEA	ELBOW BRASS CONNECTOR D6.2 1/4M 1/8M	RACCORD COUDE LAITON D6.2 1/4M 1/8M	MESSING-ANSCHLUSS D6.2 1/4M 1/8M
33	WY52002977	TBS.D-6 L.65 W240 E.V. AEA > RUB.CARIC	TUBE D-6 L.75	TUYAU D-6 L.75	ROHR D-6 L.75
34	WY20354	VALVOLA CHIUSURA AEA	PRESSURE RELEASE TAP BULK UNIT	CLAPET FERMETURE AUT.ARRIVEE EAU	ABSPERRVENTIL x AUT.WASSERZUFUHR
35	WY53001001	CORPO LIVELLO INFERIORE	LOWER LEVEL CONNECTOR	CORPS DE NIVEAU INFERIEUR	UNTERNIVEAUKORPER
36	WY12100	GUARNIZIONE CU/ALIM 1/4 18.7x13.2x2.5	CU GASKET 1/4 18.7X13.2X2.5	JOINT CU 1/4 18.7X13.2X2.5	CU DICHTUNG 1/4 18.7x13.2x2.5
37	WY43030001	RACCORDO INIETTORE 3/8Fx3/8Mx14F	3/8Fx3/8Mx14F INJECTOR FITTING	RACC. INJECTEUR 3/8Fx3/8Mx14F	ANSCHLUSS EINSPRITZER 3/8Fx3/8Mx14F
38	WY43052	RACCORDO "L" 3/8	CONNECTOR 'L' 3/8	RACCORD 'L' 3/8	ANSCHLUSS 'L' 3/8
39	WY52000363	TUBO D-8 L.380	TUBE D-8 L.380	TUYAU D-8 L.380	ROHR D-8 L.380
40	WY15502	VASCHETTA SCARICO ROTONDA D 80	ROUND DRAIN BASIN D.80mm	CUVE A VIDANGER RONDE D.80mm	RUNDE ABFLUSSCHALE D.80mm
41	WY43067	RACCORDO "L" 3/8 GASx3/8 GAS L.30	3/8 GAS X 3/8 GAS L FITTING L.30	RACCORD L 3/8 GAZx3/8 GAZ L.30	ANSCHLUSS L 3/8 GAS x 3/8 GAS L. 30

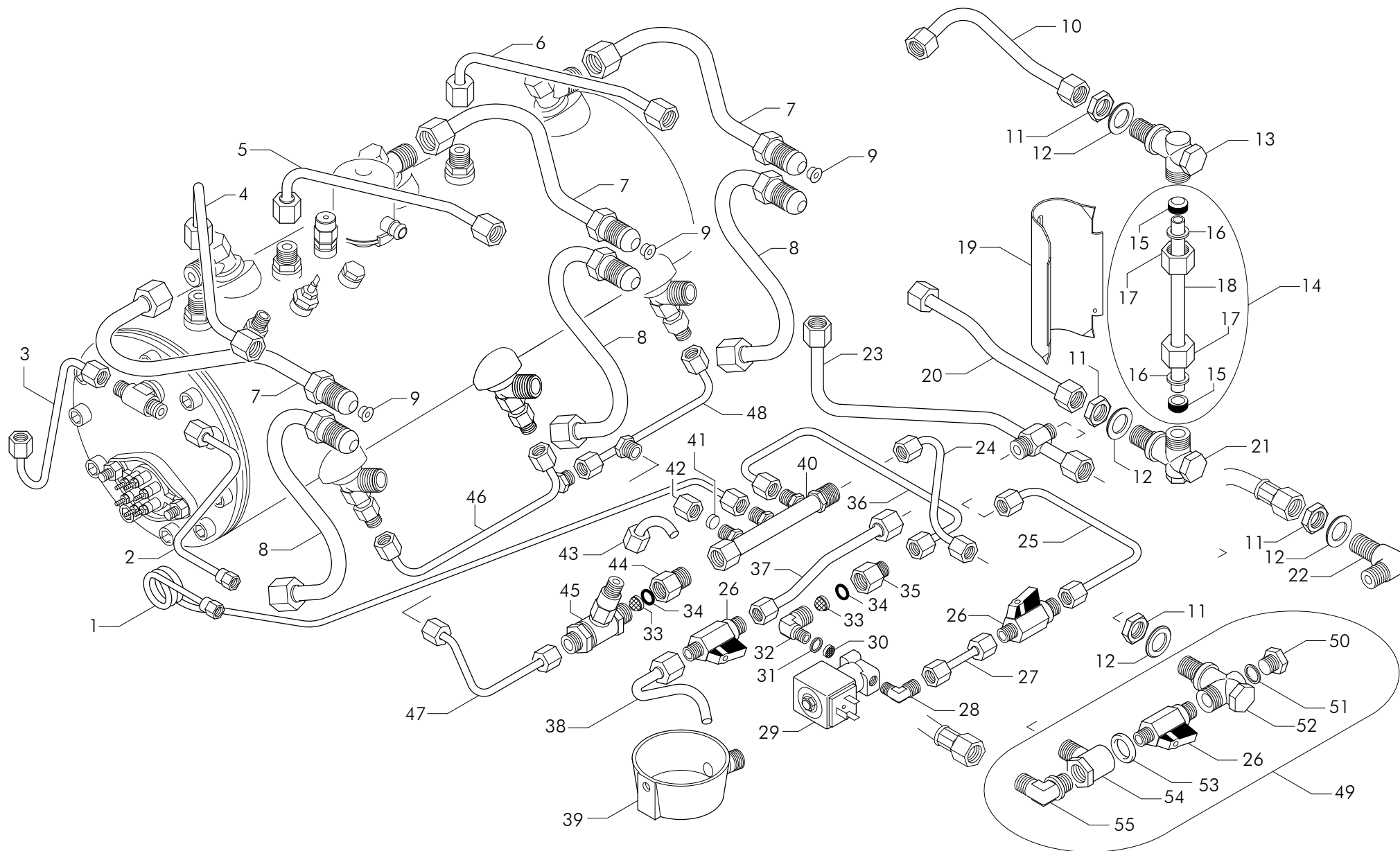


EMA 2GR

Pos	Cod.	Denominazione - IT -	Denomination - GB -	Denomination - FR -	Denomination - DE -
1	WY52000110	TUBO D-4 L.730	TUBE D-4 L.730	TUYAU D-4 L.730	ROHR D-4 L.730
2	WY52001433	TUBO D-4 L.310	TUBE D-4 L.310	TUYAU D-4 L.310	ROHR D-4 L.310
3	WY52002974	TUBO D-6 L.270 W237	TUBE D-6 L.270	TUYAU D-6 L.270	ROHR D-6 L.270
4	WY52003407	TBS.D-8 L.230 W268 2GR V.VINTAGE CALDAI	TUBE D-8 L.230 2GR	TUYAU D-8 L.230 2GR	ROHR D-8 L.230 2GR
5	WY52003403	TBS.D-6 L.150 W264 2GR V.VINTAGE PESCAN	TUBE D-6 L.150 2GR	TUYAU D-6 L.150 2GR	ROHR D-6 L.150 2GR
6	WY52003406	TBS.D-8 L.215 W267 2GR V.VINTAGE CALDAI	TUBE D-8 L.200 2GR	TUYAU D-8 L.215 2GR	ROHR D-8 L.215 2GR
7	WY52002708	TUBO D-12 L.295	TUBE D-12 L.295	TUYAU D-12 L.295	ROHR D-12 L.295
8	WY52002709	TUBO D-12 L.245 1-4GR	TUBE D-12 L.245 1-4GR	TUYAU D-12 L.245 1-4GR	ROHR D-12 L.245 1-4GR
9	WY23293	STROZZATURA RICIRCOLO GR D 4	REDUCED CONNECTOR OF GROUP D4	RACCORD REDUIT DU GROUPE D4	VERKLEINERTE FITTING DER GRUPPE D4
9	WY23293000	STROZZATURA RICIRCOLO GR D 2.5	REDUCED CONNECTOR OF GROUP D2.5	RACCORD REDUIT DU GROUPE D2.5	VERKLEINERTE FITTING DER GRUPPE D2.5
10	WY52002700	TUBO D-10 L.185	TUBE D-10 L.185	TUYAU D-10 L.185	ROHR D-10 L.185
11	WY25356	CONTRDADO OTTONE 3/8	BRASS LOCK NUT 3/8	CONTRE-ECROU LAITON 3/8	MESSING-GEGENMUTTER 3/8
12	WY25651	RONDELLA OTTONE 3/8	BRASS WASHER 3/8	RONDELLE LAITON 3/8	MESSINGSCHIEBE 3/8
13	WY53002	CORPO LIVELLO SUPERIORE	UPPER LEVEL CONNECTOR	CORPS DE NIVEAU SUPERIEUR	OBERNIVEAUKORPER
14	WY56001	ASSIEME TUBO LIVELLO	LEVEL TUBE UNIT	ENSEMBLE TUBE DE NIVEAU	ROHRSATZ FUR NIVEAU
15	WY12200	GUARNIZIONE 16x10x8	GASKET 16X10X8	JOINT 16X10X8	DICHTUNG 16x10x8
16	WY25652	RONDELLA OTTONE D17.8	BRASS WASHER D.17.8	RONDELLE LAITON D.17.8	MESSING-SCHIEBE D.17.8
17	WY25383	DADO OTTONE M20x1.5	BRASS NUT 20X1.5	ECROU LAITON 20X1.5	MESSING-MUTTER 20x1.5
18	WY21300	TUBO VETRO LIVELLO 11x8x170	GLASS LEVEL TUBE 11X8X170	TUBE NIVEAU EN VERRE 11X8X170	NIVEAU GLASROHR 11x8x170
19	WY44002	COPRILIVELLO VERNICIATO BIANCO	LEVEL INDICATOR COVER PAINTED WHITE	COUVRE-NIVEAU LAQUE BLANC	NIVEAUDECKEL
20	WY52002960	TBS.D-10 L.110 W 1/F	TUBE D-10 L.110	TUYAU D-10 L.110	ROHR D-10 L.110
21	WY56005	ASSIEME CORPO LIVELLO INFERIORE	LOWER LEVEL BODY UNIT	ENSEMBLE CORPS DE NIVEAU INFERIEUR	UNTER NIVEAUKORPER
22	WY43067	RACCORDO "L" 3/8 GASx3/8 GAS L.30	3/8 GAS X 3/8 GAS L FITTING L.30	RACCORD L 3/8 GAZx3/8 GAZ L.30	ANSCHLUSS L 3/8 GAS x 3/8 GAS L. 30
23	WY52003400	TBS.D-10 L.290 2-3GR W261 RUB.CARICO > RAC	TUBE D-10 L.290 2-3GR	TUYAU D-10 L.290 2-3GR	ROHR D-10 L.290 2-3GR
24	WY52000367	TUBO D-8 L.150	TUBE D-8 L.150	TUYAU D-8 L.150	ROHR D-8 L.150
25	WY52000205	TUBO D-6 L.230	TUBE D-6 L.230	TUYAU D-6 L.230	ROHR D. 6 L.230
26	WY20354	VALVOLA CHIUSURA AEA	PRESSURE RELEASE TAP BULK UNIT	CLAPET FERMETURE AUT.ARRIVEE EAU	ABSPERRVENTIL x AUT.WASSERZUFUHR
27	WY52002977	TBS.D-6 L.65 W240 E.V. AEA > RUB.CARIC	TUBE D-6 L.75	TUYAU D-6 L.75	ROHR D-6 L.75
28	WY23201	RACCORDO GOM.D6.2 1/4M 1/8M-AEA	ELBOW BRASS CONNECTOR D6.2 1/4M 1/8M	RACCORD COUDE LAITON D6.2 1/4M 1/8M	MESSING-ANSCHLUSS D6.2 1/4M 1/8M
29	WY4618162005	ELETTRIVALVOLA AEA 220-240V 50-60Hz VDE	SOL.VALVE WATER REFILL 220/240 50/60HZ	ELECTROVANNE REA 220/240V 50/60Hz VDE/	ELEKTROVENTIL AWZ 230/250 V 50/60 Hz
29	WY4618195	ELETTRIVALVOLA AEA 110-120V/50-60Hz CW510L	SOL.VALVE WATER REFILL 110/120V 50/60HZ	ELECTROVANNE REA 110/120V 50/60Hz NSF	ELEKTROVENTIL AWZ 110/120V 50/60HZ NSF
30	WY10251001	FILTRO IN ACCIAIO D-8 Sp.0,3	STEEL FILTER D-8 - 0.3 THICK	FILTRE EN ACIER D-8 Ep.0,3	STAHLFILTER D-8 Sp.0,3
31	WY12155	GUARNIZIONE RAME 8.5x5x1	COPPER GASKET 8.5X5X1	JOINT CU 8.5X5X1	CU DICHTUNG 8.5x5x1
32	WY23217	RACCORDO -L- D10 3/8x1/8 CON F 1.2	FITTING D10 3/8x1/8 AWI F 1.2	RACCORD GOMME D10 3/8x1/8 F 1.2	FITTING D10 3/8x1/8 MIT F 1.2
33	WY10254	FILTRO ACCIAIO 160-200 MESH	STEEL FILTER 160-200 MESH	FILTRE EN ACIER 160-200 MESH	STAHLFILTER 160-200 MESH
34	WY12312	GUARNIZIONE OR FILTRO AEA 10x2	O RING FOR WATER REFILL FILTER 10x2	JOINT OR FILTRE AUT.REM.EAU 10X2	OR DICHTUNG FUR WASSERFULLUNGFILTER
35	WY25705	RACCORDO FILTRO AEA	AUT.WATER REFILL FILTER CONNECTOR	RACCORD FILTRE REM.EAU.AUT.	FILTERFITTING AUT.WASSERFULLUNG
36	WY52002976	TBS.D-6 L.200 W239 DISTRIBUTORE > E.V.	TUBE D-6 L.200 2-3GR	TUYAU D-6 L.200 2-3GR	ROHR D-6 L.200 2-3GR

EMA 2GR

Pos	Cod.	Denominazione - IT -	Denomination - GB -	Denomination - FR -	Denomination - DE -
37	WY52000361	TUBO D-8 L.135	TUBE D-8 L.135	TUYAU D-8 L.135	ROHR D-8 L.135
38	WY52000267	TUBO D-8 L.100	TUBE D-8 L.100	TUYAU D-8 L.100	ROHR D. 8 L.100
39	WY15502	VASCHETTA SCARICO ROTONDA D 80	ROUND DRAIN BASIN D.80mm	CUVE A VIDANGER RONDE D.80mm	RUNDE ABFLUSSCHALE D.80mm
40	WY56136004	ASSIEME BLOCCO DISTRIBUZ.2-3-4GR	DISTRIBUTION BLOCK 2-3-4GR	BLOC DISTRIBUTION 2-3-4GR	BLOCK VERTEILER 2-3-4GR
41	WY12007	GUARNIZIONE KLINGERSIL4400	KLINGERSIL4400 SEAL	JOINT KLINGERSIL4400	DICHTUNG KLINGER SIL4400
42	WY25782	TAPPO FEMMINA 1/4 GAS	1/4 GAS FEMALE TAP	BOUCHON FEMELLE 1/4 GAZ	INNENANSCHLUSSSTOPSEL 1/4 GAS
43	WY52002898	TUBO D-6 L.50	TUBE D-6 L.50	TUYAU D-6 L.50	ROHR D. 6 L.50
44	WY25732100	RACCORDO 3/8Mx3/8F + SEDE FILTRO	FITTING 3/8Mx3/8F	RACCORD 3/8Mx3/8F	ANSCHLUSS 3/8Mx3/8F
45	WY20361	VALVOLA S.C.N.R. REGOLABILE	ADJUSTABLE S.C.N.R. VALVE	SOUPAPE S.C.N.R. REGLABLE	EINSTELLBARES VENTIL S.N.C.R.
46	WY52003014	TUBO D-6 L.245	TUBE D-6 L.245	TUYAU D-6 L.245	ROHR D-6 L.245
47	WY52003015	TBS.D-6 L.155 2GR	TUBE D-6 L.170 2GR SP 16	TUYAU D-6 L.170 2GR SP 16	ROHR D-6 L.170 2GR SP 16
48	WY56134001	ASSIEME BLOCCETTO POMPA	UNIT PUMP	ENSEMBLE POMPE	PUMPENSATZ
49	WY25780	TAPPO MASCHIO OTTONE 1/4	BRASS MALE CAP 1/4	BOUCHON MALE LAITON 1/4	MESSING-STOPFEN 1/4
50	WY12153	GUARNIZIONE RAME 1/4 17x13.3x1.5	GASKET 1/4 17x13.3x1.5 COPPER	JOINT CUIVRE 1/4 17x13.3x1.5	KUPFERDICHTUNG 1/4 17x13.3x1.5
51	WY53001	CORPO LIVELLO INFERIORE	LOWER LEVEL CONNECTOR	CORPS DE NIVEAU INFERIEUR	UNTERNIVEAUKORPER
52	WY12101	GUARNIZIONE RAME 3/8 22x17x3	GASKET COPPER 3/8 22x17x3	JOINT CUIVRE 3/8 22x17x3	KUPFERDICHTUNG 3/8 22x17x3
53	WY257396	RACCORDO SCARICO CALDAIA ASSIEMATO	ASSEMBLED BOILER DRAIN JOINT	RACCORD	ANSCHLUSS
54	WY43052	RACCORDO "L" 3/8	CONNECTOR 'L' 3/8	RACCORD 'L' 3/8	ANSCHLUSS 'L' 3/8

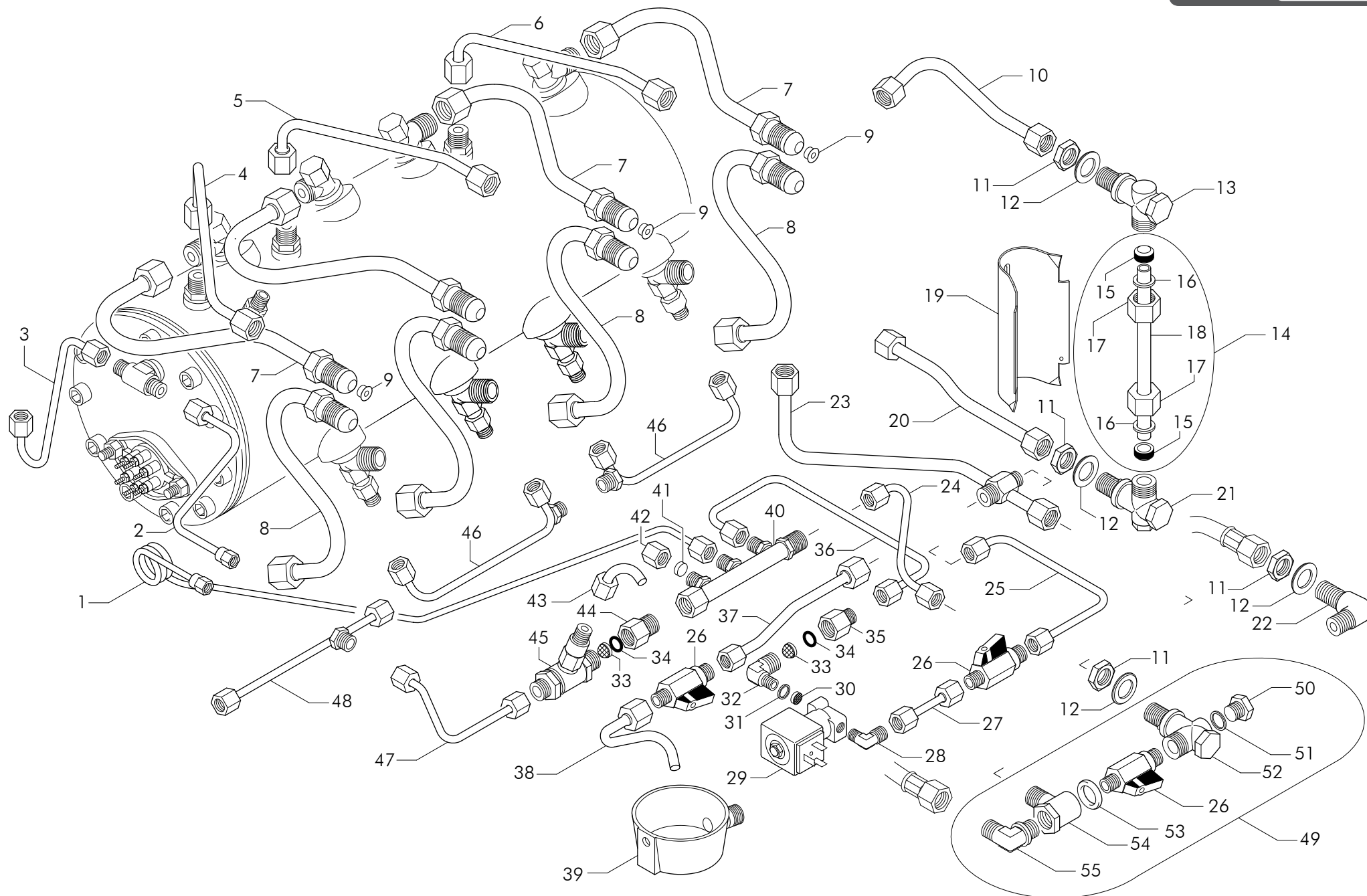


EMA 3GR

Pos	Cod.	Denominazione - IT -	Denomination - GB -	Denomination - FR -	Denomination - DE -
1	WY52002771	TUBO D-4 L.1140	TUBE D-4 L.1140	TUYAU D-4 L.1140	ROHR D-4 L.1140
2	WY52001433	TUBO D-4 L.310	TUBE D-4 L.310	TUYAU D-4 L.310	ROHR D-4 L.310
3	WY52002974	TUBO D-6 L.270 W237	TUBE D-6 L.270	TUYAU D-6 L.270	ROHR D-6 L.270
4	WY52003407	TBS.D-8 L.230 W268 2GR V.VINTAGE CALDAI	TUBE D-8 L.230 2GR	TUYAU D-8 L.230 2GR	ROHR D-8 L.230 2GR
5	WY52003403	TBS.D-6 L.150 W264 2GR V.VINTAGE PESCAN	TUBE D-6 L.150 2GR	TUYAU D-6 L.150 2GR	ROHR D-6 L.150 2GR
6	WY52003406	TBS.D-8 L.215 W267 2GR V.VINTAGE CALDAI	TUBE D-8 L.200 2GR	TUYAU D-8 L.215 2GR	ROHR D-8 L.215 2GR
7	WY52002708	TUBO D-12 L.295	TUBE D-12 L.295	TUYAU D-12 L.295	ROHR D-12 L.295
8	WY52002709	TUBO D-12 L.245 1-4GR	TUBE D-12 L.245 1-4GR	TUYAU D-12 L.245 1-4GR	ROHR D-12 L.245 1-4GR
9	WY23293	STROZZATURA RICIRCOLO GR D 4	REDUCED CONNECTOR OF GROUP D4	RACCORD REDUIT DU GROUPE D4	VERKLEINERTE FITTING DER GRUPPE D4
9	WY23293000	STROZZATURA RICIRCOLO GR D 2.5	REDUCED CONNECTOR OF GROUP D2.5	RACCORD REDUIT DU GROUPE D2.5	VERKLEINERTE FITTING DER GRUPPE D2.5
10	WY52002700	TUBO D-10 L.185	TUBE D-10 L.185	TUYAU D-10 L.185	ROHR D-10 L.185
11	WY25356	CONTRDADO OTTONE 3/8	BRASS LOCK NUT 3/8	CONTRE-ECROU LAITON 3/8	MESSING-GEGENMUTTER 3/8
12	WY25651	RONDELLA OTTONE 3/8	BRASS WASHER 3/8	RONDELLE LAITON 3/8	MESSINGSCHIEBE 3/8
13	WY53002	CORPO LIVELLO SUPERIORE	UPPER LEVEL CONNECTOR	CORPS DE NIVEAU SUPERIEUR	OBERNIVEAUKORPER
14	WY56001	ASSIEME TUBO LIVELLO	LEVEL TUBE UNIT	ENSEMBLE TUBE DE NIVEAU	ROHRSATZ FUR NIVEAU
15	WY12200	GUARNIZIONE 16x10x8	GASKET 16X10X8	JOINT 16X10X8	DICHTUNG 16x10x8
16	WY25652	RONDELLA OTTONE D17.8	BRASS WASHER D.17.8	RONDELLE LAITON D.17.8	MESSING-SCHIEBE D.17.8
17	WY25383	DADO OTTONE M20x1.5	BRASS NUT 20X1.5	ECROU LAITON 20X1.5	MESSING-MUTTER 20x1.5
18	WY21300	TUBO VETRO LIVELLO 11x8x170	GLASS LEVEL TUBE 11X8X170	TUBE NIVEAU EN VERRE 11X8X170	NIVEAU GLASROHR 11x8x170
19	WY44002	COPRILIVELLO VERNICIATO BIANCO	LEVEL INDICATOR COVER PAINTED WHITE	COUVRE-NIVEAU LAQUE BLANC	NIVEAUDECKEL
20	WY52002960	TBS.D-10 L.110 W 1/F	TUBE D-10 L.110	TUYAU D-10 L.110	ROHR D-10 L.110
21	WY56005	ASSIEME CORPO LIVELLO INFERIORE	LOWER LEVEL BODY UNIT	ENSEMBLE CORPS DE NIVEAU INFERIEUR	UNTER NIVEAUKORPER
22	WY43067	RACCORDO "L" 3/8 GASx3/8 GAS L.30	3/8 GAS X 3/8 GAS L FITTING L.30	RACCORD L 3/8 GAZx3/8 GAZ L.30	ANSCHLUSS L 3/8 GAS x 3/8 GAS L. 30
23	WY52003400	TBS.D-10 L.290 2-3GR W261 RUB.CARICO > RAC	TUBE D-10 L.290 2-3GR	TUYAU D-10 L.290 2-3GR	ROHR D-10 L.290 2-3GR
24	WY52000367	TUBO D-8 L.150	TUBE D-8 L.150	TUYAU D-8 L.150	ROHR D-8 L.150
25	WY52000205	TUBO D-6 L.230	TUBE D-6 L.230	TUYAU D-6 L.230	ROHR D. 6 L.230
26	WY20354	VALVOLA CHIUSURA AEA	PRESSURE RELEASE TAP BULK UNIT	CLAPET FERMETURE AUT.ARRIVEE EAU	ABSPERRVENTIL x AUT.WASSERZUFUHR
27	WY52002977	TBS.D-6 L.65 W240 E.V. AEA > RUB.CARIC	TUBE D-6 L.75	TUYAU D-6 L.75	ROHR D-6 L.75
28	WY23201	RACCORDO GOM.D6.2 1/4M 1/8M-AEA	ELBOW BRASS CONNECTOR D6.2 1/4M 1/8M	RACCORD COUDE LAITON D6.2 1/4M 1/8M	MESSING-ANSCHLUSS D6.2 1/4M 1/8M
29	WY4618162005	ELETTRORVALVOLA AEA 220-240V 50-60Hz VDE	SOL.VALVE WATER REFILL 220/240 50/60HZ	ELECTROVANNE REA 220/240V 50/60Hz VDE/	ELEKTROVENTIL AWZ 230/250 V 50/60 Hz
29	WY4618195	ELETTRORVALVOLA AEA 110-120V/50-60Hz CW510L	SOL.VALVE WATER REFILL 110/120V 50/60HZ	ELECTROVANNE REA 110/120V 50/60Hz NSF	ELEKTROVENTIL AWZ 110/120V 50/60Hz NSF
30	WY10251001	FILTRO IN ACCIAIO D-8 Sp.0,3	STEEL FILTER D-8 - 0.3 THICK	FILTRE EN ACIER D-8 Ep.0,3	STAHLFILTER D-8 Sp.0,3
31	WY12155	GUARNIZIONE RAME 8.5x5x1	COPPER GASKET 8.5X5X1	JOINT CU 8.5X5X1	CU DICHTUNG 8.5x5x1
32	WY23217	RACCORDO -L- D10 3/8x1/8 CON F 1.2	FITTING D10 3/8x1/8 AWI F 1.2	RACCORD GOMME D10 3/8x1/8 F 1.2	FITTING D10 3/8x1/8 MIT F 1.2
33	WY10254	FILTRO ACCIAIO 160-200 MESH	STEEL FILTER 160-200 MESH	FILTRE EN ACIER 160-200 MESH	STAHLFILTER 160-200 MESH
34	WY12312	GUARNIZIONE OR FILTRO AEA 10x2	O RING FOR WATER REFILL FILTER 10x2	JOINT OR FILTRE AUT.REM.EAU 10X2	OR DICHTUNG FUR WASSERFULLUNGFILTER
35	WY25705	RACCORDO FILTRO AEA	AUT.WATER REFILL FILTER CONNECTOR	RACCORD FILTRE REM.EAU.AUT.	FILTERFITTING AUT.WASSERFULLUNG
36	WY52002976	TBS.D-6 L.200 W239 DISTRIBUTORE > E.V.	TUBE D-6 L.200 2-3GR	TUYAU D-6 L.200 2-3GR	ROHR D-6 L.200 2-3GR
37	WY52000361	TUBO D-8 L.135	TUBE D-8 L.135	TUYAU D-8 L.135	ROHR D-8 L.135
38	WY52000362	TUBO D-8 L.255	TUBE D-8 L.255	TUYAU D-8 L.255	ROHR D-8 L.255

EMA 3GR

Pos	Cod.	Denominazione - IT -	Denomination - GB -	Denomination - FR -	Denomination - DE -
39	WY15502	VASCETTA SCARICO ROTONDA D 80	ROUND DRAIN BASIN D.80mm	CUVE A VIDANGER RONDE D.80mm	RUNDE ABFLUSSCHALE D.80mm
40	WY56136004	ASSIEME BLOCCO DISTRIBUZ.2-3-4GR	DISTRIBUTION BLOCK 2-3-4GR	BLOC DISTRIBUTION 2-3-4GR	BLOCK VERTEILER 2-3-4GR
41	WY12007	GUARNIZIONE KLINGERSIL4400	KLINGERSIL4400 SEAL	JOINT KLINGERSIL4400	DICHTUNG KLINGER SIL4400
42	WY25782	TAPPO FEMMINA 1/4 GAS	1/4 GAS FEMALE TAP	BOUCHON FEMELLE 1/4 GAZ	INNENANSCHLUSSSTOPSEL 1/4 GAS
43	WY52001351	TUBO D-6 L.170	TUBE D-6 L.170	TUYAU D-6 L.170	ROHR D-6 L.170
44	WY25732100	RACCORDO 3/8Mx3/8F + SEDE FILTRO	FITTING 3/8Mx3/8F	RACCORD 3/8Mx3/8F	ANSCHLUSS 3/8Mx3/8F
45	WY20361	VALVOLA S.C.N.R. REGOLABILE	ADJUSTABLE S.C.N.R. VALVE	SOUPAPE S.C.N.R. REGLABLE	EINSTELLBARES VENTIL S.N.C.R.
46	WY52003014	TUBO D-6 L.245	TUBE D-6 L.245	TUYAU D-6 L.245	ROHR D-6 L.245
47	WY52003023	TBS.D-6 L.115 3GR SP 24 SCNR > SP 23	TUBE D-6 L.115 3GR SP 24	TUYAU D-6 L.115 3GR SP 24	ROHR D-6 L.115 3GR SP 24
48	WY52003022	TUBO D-6 L.240	TUBE D-6 L.240	TUYAU D-6 L.240	ROHR D-6 L.240
49	WY56134001	ASSIEME BLOCCHETTO POMPA	UNIT PUMP	ENSEMBLE POMPE	PUMPENSATZ
50	WY25780	TAPPO MASCHIO OTTONE 1/4	BRASS MALE CAP 1/4	BOUCHON MALE LAITON 1/4	MESSING-STOPFEN 1/4
51	WY12153	GUARNIZIONE RAME 1/4 17x13.3x1.5	GASKET 1/4 17x13.3x1.5 COPPER	JOINT CUIVRE 1/4 17x13.3x1.5	KUPFERDICHTUNG 1/4 17x13.3x1.5
52	WY53001	CORPO LIVELLO INFERIORE	LOWER LEVEL CONNECTOR	CORPS DE NIVEAU INFERIEUR	UNTERNIVEAUKORPER
53	WY12101	GUARNIZIONE RAME 3/8 22x17x3	GASKET COPPER 3/8 22x17x3	JOINT CUIVRE 3/8 22x17x3	KUPFERDICHTUNG 3/8 22x17x3
54	WY257396	RACCORDO SCARICO CALDAIA ASSIEMATO	ASSEMBLED BOILER DRAIN JOINT	RACCORD	ANSCHLUSS
55	WY43052	RACCORDO "L" 3/8	CONNECTOR 'L' 3/8	RACCORD 'L' 3/8	ANSCHLUSS 'L' 3/8

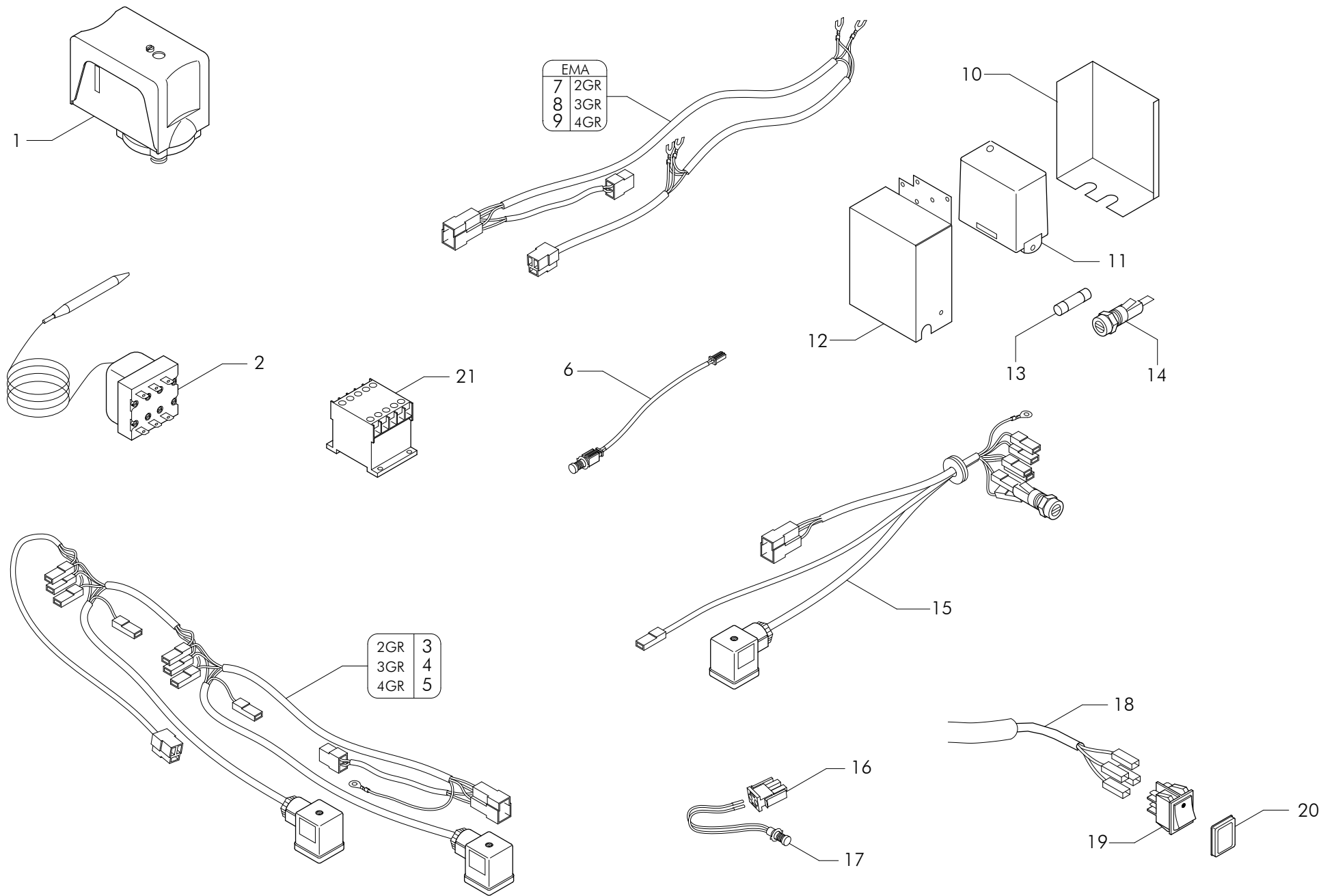


EMA 4GR

Pos	Cod.	Denominazione - IT -	Denomination - GB -	Denomination - FR -	Denomination - DE -
1	WY52002772	TBS.D-4 L.1380 4GR	TUBE D-4 L.1380 4GR W 59	TUYAU D-4 L.1380 W 59	ROHR D-4 L.1380 W 59
2	WY52001433	TUBO D-4 L.310	TUBE D-4 L.310	TUYAU D-4 L.310	ROHR D-4 L.310
3	WY52002974	TUBO D-6 L.270 W237	TUBE D-6 L.270	TUYAU D-6 L.270	ROHR D-6 L.270
4	WY52003407	TBS.D-8 L.230 W268 2GR V.VINTAGE CALDAI	TUBE D-8 L.230 2GR	TUYAU D-8 L.230 2GR	ROHR D-8 L.230 2GR
5	WY52003403	TBS.D-6 L.150 W264 2GR V.VINTAGE PESCAN	TUBE D-6 L.150 2GR	TUYAU D-6 L.150 2GR	ROHR D-6 L.150 2GR
6	WY52003406	TBS.D-8 L.215 W267 2GR V.VINTAGE CALDAI	TUBE D-8 L.200 2GR	TUYAU D-8 L.215 2GR	ROHR D-8 L.215 2GR
7	WY52002708	TUBO D-12 L.295	TUBE D-12 L.295	TUYAU D-12 L.295	ROHR D-12 L.295
8	WY52002709	TUBO D-12 L.245 1-4GR	TUBE D-12 L.245 1-4GR	TUYAU D-12 L.245 1-4GR	ROHR D-12 L.245 1-4GR
9	WY23293	STROZZATURA RICIRCOLO GR D 4	REDUCED CONNECTOR OF GROUP D4	RACCORD REDUIT DU GROUPE D4	VERKLEINERTE FITTING DER GRUPPE D4
9	WY23293000	STROZZATURA RICIRCOLO GR D 2.5	REDUCED CONNECTOR OF GROUP D2.5	RACCORD REDUIT DU GROUPE D2.5	VERKLEINERTE FITTING DER GRUPPE D2.5
10	WY52002700	TUBO D-10 L.185	TUBE D-10 L.185	TUYAU D-10 L.185	ROHR D-10 L.185
11	WY25356	CONTRDADO OTTONE 3/8	BRASS LOCK NUT 3/8	CONTRE-ECROU LAITON 3/8	MESSING-GEGENMUTTER 3/8
12	WY25651	RONDELLA OTTONE 3/8	BRASS WASHER 3/8	RONDELLE LAITON 3/8	MESSINGSCHIEBE 3/8
13	WY53002	CORPO LIVELLO SUPERIORE	UPPER LEVEL CONNECTOR	CORPS DE NIVEAU SUPERIEUR	OBERNIVEAUKORPER
14	WY56001	ASSIEME TUBO LIVELLO	LEVEL TUBE UNIT	ENSEMBLE TUBE DE NIVEAU	ROHRSATZ FUR NIVEAU
15	WY12200	GUARNIZIONE 16x10x8	GASKET 16X10X8	JOINT 16X10X8	DICHTUNG 16x10x8
16	WY25652	RONDELLA OTTONE D17.8	BRASS WASHER D.17.8	RONDELLE LAITON D.17.8	MESSING-SCHIEBE D.17.8
17	WY25383	DADO OTTONE M20x1.5	BRASS NUT 20X1.5	ECROU LAITON 20X1.5	MESSING-MUTTER 20x1.5
18	WY21300	TUBO VETRO LIVELLO 11x8x170	GLASS LEVEL TUBE 11X8X170	TUBE NIVEAU EN VERRE 11X8X170	NIVEAU GLASROHR 11x8x170
19	WY44002	COPRILIVELLO VERNICIATO BIANCO	LEVEL INDICATOR COVER PAINTED WHITE	COUVRE-NIVEAU LAQUE BLANC	NIVEAUDECKEL
20	WY52002960	TBS.D-10 L.110 W 1/F	TUBE D-10 L.110	TUYAU D-10 L.110	ROHR D-10 L.110
21	WY56005	ASSIEME CORPO LIVELLO INFERIORE	LOWER LEVEL BODY UNIT	ENSEMBLE CORPS DE NIVEAU INFERIEUR	UNTER NIVEAUKORPER
22	WY43067	RACCORDO "L" 3/8 GASx3/8 GAS L.30	3/8 GAS X 3/8 GAS L FITTING L.30	RACCORD L 3/8 GAZx3/8 GAZ L.30	ANSCHLUSS L 3/8 GAS x 3/8 GAS L. 30
23	WY52003400	TBS.D-10 L.290 2-3GR W261 RUB.CARICO > RAC	TUBE D-10 L.290 2-3GR	TUYAU D-10 L.290 2-3GR	ROHR D-10 L.290 2-3GR
24	WY52000367	TUBO D-8 L.150	TUBE D-8 L.150	TUYAU D-8 L.150	ROHR D-8 L.150
25	WY52000205	TUBO D-6 L.230	TUBE D-6 L.230	TUYAU D-6 L.230	ROHR D. 6 L.230
26	WY20354	VALVOLA CHIUSURA AEA	PRESSURE RELEASE TAP BULK UNIT	CLAPET FERMETURE AUT.ARRIVEE EAU	ABSPERRVENTIL x AUT.WASSERZUFUHR
27	WY52002977	TBS.D-6 L.65 W240 E.V. AEA > RUB.CARIC	TUBE D-6 L.75	TUYAU D-6 L.75	ROHR D-6 L.75
28	WY23201	RACCORDO GOM.D6.2 1/4M 1/8M-AEA	ELBOW BRASS CONNECTOR D6.2 1/4M 1/8M	RACCORD COUDE LAITON D6.2 1/4M 1/8M	MESSING-ANSCHLUSS D6.2 1/4M 1/8M
29	WY4618162005	ELETTRIVALVOLA AEA 220-240V 50-60Hz VDE	SOL.VALVE WATER REFILL 220/240 50/60HZ	ELECTROVANNE REA 220/240V 50/60Hz VDE/	ELEKTROVENTIL AWZ 230/250 V 50/60 Hz
29	WY4618195	ELETTRIVALVOLA AEA 110-120V/50-60Hz CW510L	SOL.VALVE WATER REFILL 110/120V 50/60HZ	ELECTROVANNE REA 110/120V 50/60Hz NSF	ELEKTROVENTIL AWZ 110/120V 50/60HZ NSF
30	WY10251001	FILTRO IN ACCIAIO D-8 Sp.0,3	STEEL FILTER D-8 - 0.3 THICK	FILTRE EN ACIER D-8 Ep.0,3	STAHLFILTER D-8 Sp.0,3
31	WY12155	GUARNIZIONE RAME 8.5x5x1	COPPER GASKET 8.5X5X1	JOINT CU 8.5X5X1	CU DICHTUNG 8.5x5x1
32	WY23217	RACCORDO -L- D10 3/8x1/8 CON F 1.2	FITTING D10 3/8x1/8 AWI F 1.2	RACCORD GOMME D10 3/8x1/8 F 1.2	FITTING D10 3/8x1/8 MIT F 1.2
33	WY10254	FILTRO ACCIAIO 160-200 MESH	STEEL FILTER 160-200 MESH	FILTRE EN ACIER 160-200 MESH	STAHLFILTER 160-200 MESH
34	WY12312	GUARNIZIONE OR FILTRO AEA 10x2	O RING FOR WATER REFILL FILTER 10x2	JOINT OR FILTRE AUT.REM.EAU 10X2	OR DICHTUNG FUR WASSERFULLUNGFILTER
35	WY25705	RACCORDO FILTRO AEA	AUT.WATER REFILL FILTER CONNECTOR	RACCORD FILTRE REM.EAU.AUT.	FILTERFITTING AUT.WASSERFULLUNG
36	WY52002976	TBS.D-6 L.200 W239 DISTRIBUTORE > E.V.	TUBE D-6 L.200 2-3GR	TUYAU D-6 L.200 2-3GR	ROHR D-6 L.200 2-3GR

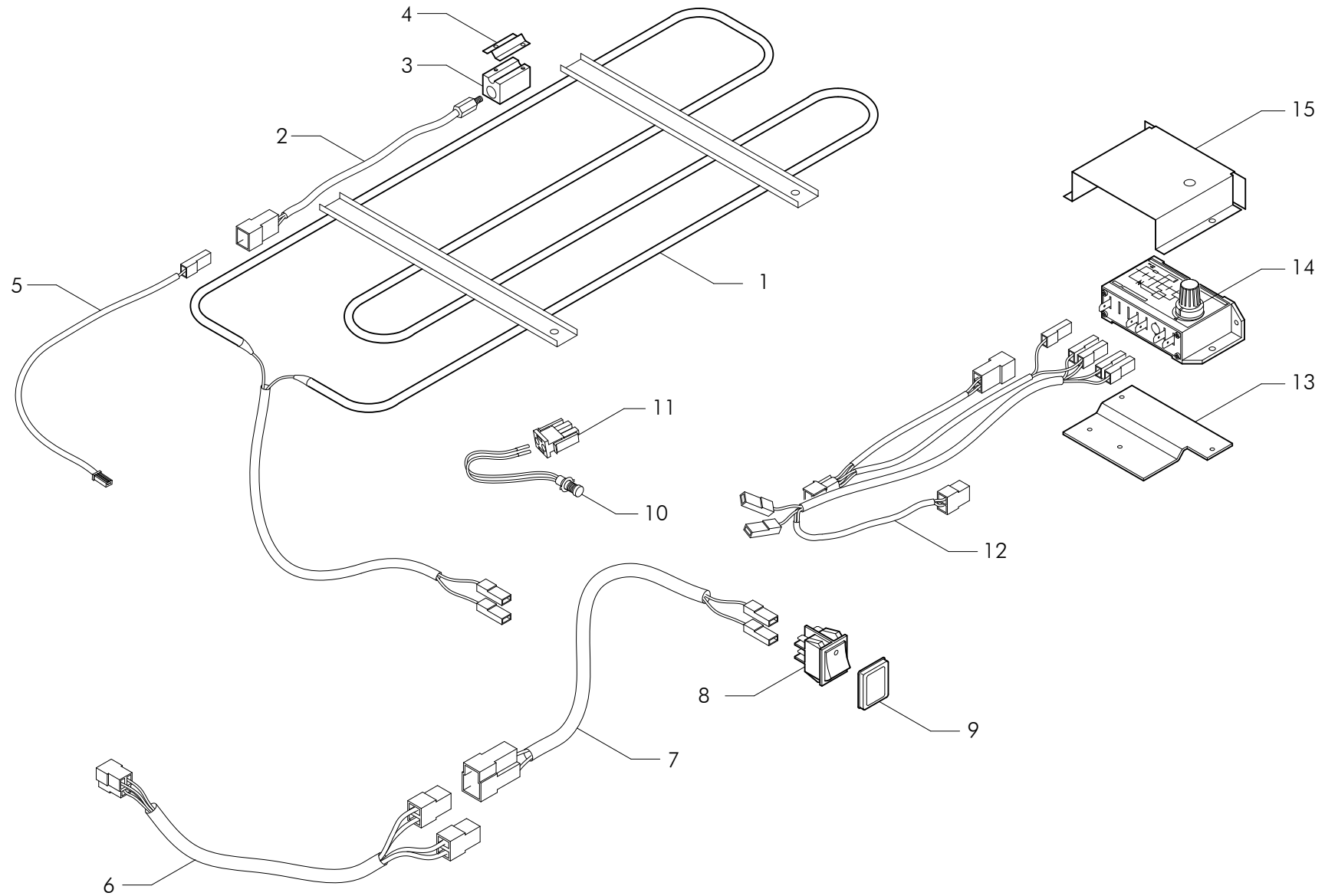
EMA 4GR

Pos	Cod.	Denominazione - IT -	Denomination - GB -	Denomination - FR -	Denomination - DE -
37	WY52000361	TUBO D-8 L.135	TUBE D-8 L.135	TUYAU D-8 L.135	ROHR D-8 L.135
38	WY52000363	TUBO D-8 L.380	TUBE D-8 L.380	TUYAU D-8 L.380	ROHR D-8 L.380
39	WY15502	VASCETTA SCARICO ROTONDA D 80	ROUND DRAIN BASIN D.80mm	CUVE A VIDANGER RONDE D.80mm	RUNDE ABFLUSSCHALE D.80mm
40	WY56136004	ASSIEME BLOCCO DISTRIBUZ.2-3-4GR	DISTRIBUTION BLOCK 2-3-4GR	BLOC DISTRIBUTION 2-3-4GR	BLOCK VERTEILER 2-3-4GR
41	WY12007	GUARNIZIONE KLINGERSIL4400	KLINGERSIL4400 SEAL	JOINT KLINGERSIL4400	DICHTUNG KLINGER SIL4400
42	WY25782	TAPPO FEMMINA 1/4 GAS	1/4 GAS FEMALE TAP	BOUCHON FEMELLE 1/4 GAZ	INNENANSCHLUSSSTOPSEL 1/4 GAS
43	WY52000336	TUBO D-6 L.270	TUBE D-6 L.270	TUYAU D-6 L.270	ROHR D. 6 L.270
44	WY25732100	RACCORDO 3/8Mx3/8F + SEDE FILTRO	FITTING 3/8Mx3/8F	RACCORD 3/8Mx3/8F	ANSCHLUSS 3/8Mx3/8F
45	WY20361	VALVOLA S.C.N.R. REGOLABILE	ADJUSTABLE S.C.N.R. VALVE	SOUPAPE S.C.N.R. REGLABLE	EINSTELLBARES VENTIL S.N.C.R.
46	WY52003014	TUBO D-6 L.245	TUBE D-6 L.245	TUYAU D-6 L.245	ROHR D-6 L.245
47	WY52003023	TBS.D-6 L.115 3GR SP 24 SCNR > SP 23	TUBE D-6 L.115 3GR SP 24	TUYAU D-6 L.115 3GR SP 24	ROHR D-6 L.115 3GR SP 24
48	WY52003026	TUB.D-6 L.160 4GR SP 27 SCNR >	TUBE D-6 L.160 4GR SP 27	TUYAU D-6 L.160 4GR SP 27	ROHR D-6 L.160 4GR SP 27
49	WY56134001	ASSIEME BLOCCHETTO POMPA	UNIT PUMP	ENSEMBLE POMPE	PUMPENSATZ
50	WY25780	TAPPO MASCHIO OTTONE 1/4	BRASS MALE CAP 1/4	BOUCHON MALE LAITON 1/4	MESSING-STOPFEN 1/4
51	WY12153	GUARNIZIONE RAME 1/4 17x13.3x1.5	GASKET 1/4 17x13.3x1.5 COPPER	JOINT CUIVRE 1/4 17x13.3x1.5	KUPFERDICHTUNG 1/4 17x13.3x1.5
52	WY53001	CORPO LIVELLO INFERIORE	LOWER LEVEL CONNECTOR	CORPS DE NIVEAU INFERIEUR	UNTERNIVEAUKORPER
53	WY12101	GUARNIZIONE RAME 3/8 22x17x3	GASKET COPPER 3/8 22x17x3	JOINT CUIVRE 3/8 22x17x3	KUPFERDICHTUNG 3/8 22x17x3
54	WY257396	RACCORDO SCARICO CALDAIA ASSIEMATO	ASSEMBLED BOILER DRAIN JOINT	RACCORD	ANSCHLUSS
55	WY43052	RACCORDO "L" 3/8	CONNECTOR 'L' 3/8	RACCORD 'L' 3/8	ANSCHLUSS 'L' 3/8



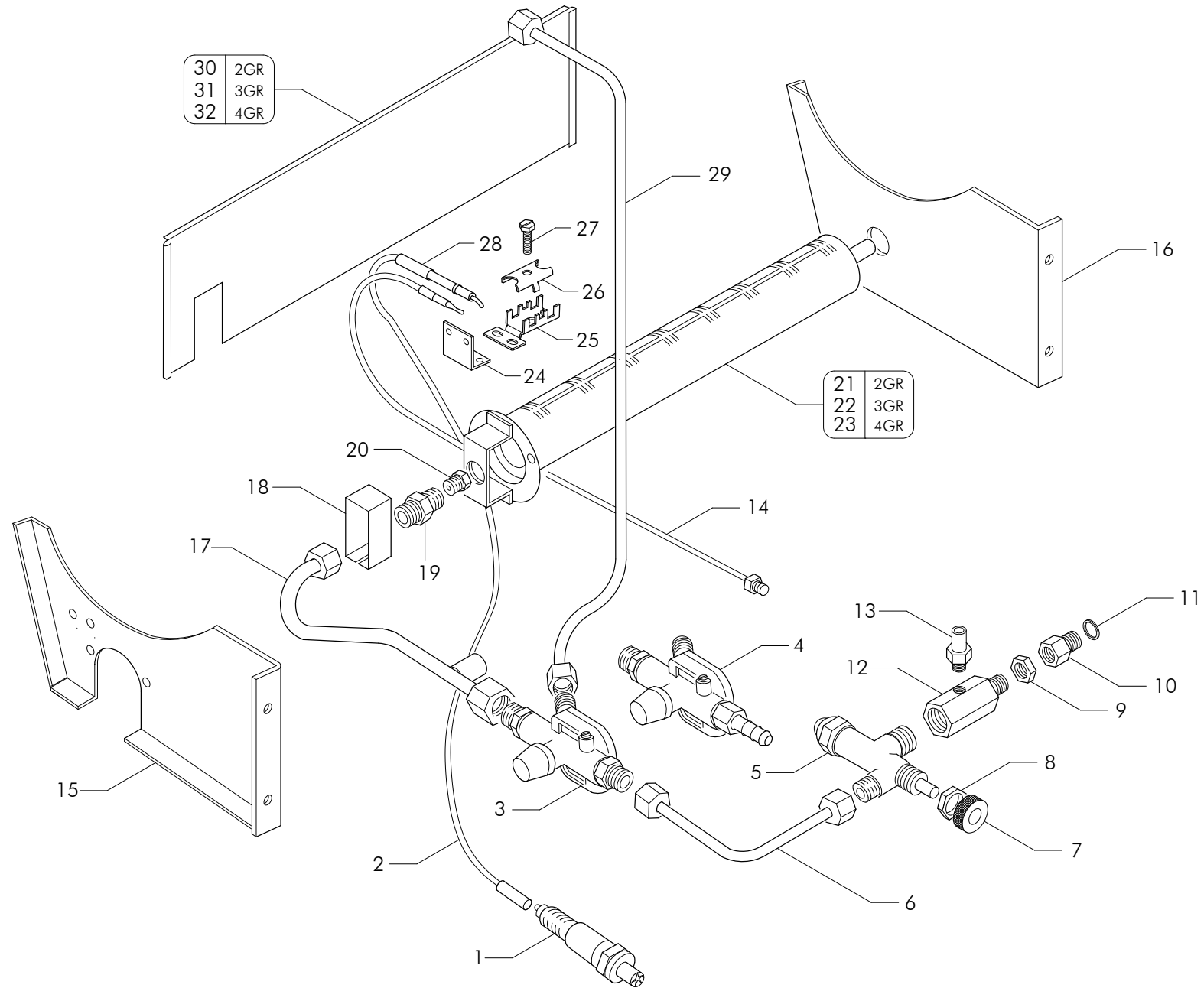
ALE - EMA

Pos	Cod.	Denominazione - IT -	Denomination - GB -	Denomination - FR -	Denomination - DE -
1	WY20150	PRESSOSTATO SECCO SIRAI 30A	DRY PRESSURE SWITCH SIRAI 30A	PRESSOSTAT SEC SIRAI 30A	TROCKENDRUCKWACHTER SIRAI 30A
2	WY56930000	ASSIEME TERMOSTATO EGO STD CMA/WEGA	ASS.THERMOSTAT	ENS.THERMOSTAT	THERMOSTAT
3	WY22803050	CABLAGGIO 1Ph D-2.5 1-2GR	CABLE	CABLAGE	VERDRAHTUNG
4	WY22803053	CABLAGGIO 3Ph+N D-4 2>3GR	CABLE 3Ph+N D-4 2>3GR	CABLAGE 3Ph+N D-4 2>3GR	VERDRAHTUNG 3Ph+N D-4 2>3GR
5	WY22803054	CABLAGGIO 3Ph+N D-4 4GR	CABLE	CABLAGE	VERDRAHTUNG
6	WY22625	CAVO 1/2GR RL30/TIMEOUT CON LED	1/2 CABLE TIMEOUT UNIT WITH LED	CABLE 1/2 GR. RL30/TIMEOUT LED	KABEL 1/2GR. RL30/TIMEOUT MIT LED
6	WY22626	CAVO 3/4GR RL30/TIMEOUT CON LED	3/4 CABLE TIMEOUT UNIT WITH LED	CABLE 3/4 GR. RL30/TIMEOUT LED	KABEL 3/4GR. RL30/TIMEOUT MIT LED
7	WY22806	CABLAGGIO EMA/2	CABLE EMA/2	CABLAGE EMA/2	VERDRAHTUNG EMA/2
8	WY22807	CABLAGGIO EMA/3	EMA/3 CABLE	CABLAGE EMA/3	EMA/3 VERDRAHTUNG
9	WY22808	CABLAGGIO EMA/4	EMA/4 CABLE	CABLAGE EMA/4	EMA/4 VERDRAHTUNG
10	WY77691F	PROTEZIONE CENTRALINA RL30	RL30 GEARCASE PROTECTION	PROTECTION RL30	SCHUTZGITTER RL30
11	WY18080001	REGOLATORE LIVELLO RL30 220/240V	LEVEL CONTROL RL30 220/240V	CONTROLE NIVEAU RL30 220/240V	WASSERNIVEAUREGLER RL30 220/240V
11	WY18081001	REGOLATORE LIVELLO RL30 120V	LEVEL CONTROL RL30 120V	CONTROLE NIVEAU RL30 120V	WASSERNIVEAUREGLER RL30 120V
12	WY78200	SUPPORTO AEA RL30	AWR BEARING RL30xALL MODUL.FRAMES	SUPPORT REA RL30 POUR TOUS CHASSIS MOD.	AWF HALTER RL30xFUR ALLE MOD.RAHMEN
13	WY19101	FUSIBILE 5x20 2A	FUSE OMEGA 5x20 2A	FUSIBLE OMEGA 5x20 2A	SCHMELZSICH.OMEGA 5x20 2A
14	WY19122	PORTAFUSIBILE 6.3A 250V	FUSE HOLDER 6.3A 250V	PORTE-FUSIBLE 6.3A 250V	SICHERUNGSHALTER 6.3A 250V
15	WY22858	CABLAGGIO AEA 1-4GR	CABLE A.W.R. 1-4GR	CABLAGE R.E.A. 1-4GR	VERDRAHTUNG A.W.F.1-4GR
16	WY10760	BLOCCHETTO MASCHIO	MALE BLOCK	MODULE MALE	STECKER
17	WY21011001	LAMPADA SPIA VERDE CON GHIERA 250VAC	GREEN WARNING LIGHT 250VAC	LAMPR TEMOIN VERT 250VAC	GRUNE KONTROLLAMPE 250VAC
18	WY22632011	CABLAGGIO INTERRUTTORE EPU	CABLE EPU	CABLAGE EPU	VERDRAHTUNG EPU
18	WY22632012	CABLAGGIO INTERRUTTORE EPU UL	CABLE EPU UL	CABLAGE EPU UL	VERDRAHTUNG EPU UL
19	WY18263	INTERRUTTORE BIP. NERO LED LUMIN.ROSSO	BIP. LUMIN. BLACK SWITCH	INTER.BIP.LUMIN. NOIR	ZWEIP.SCHALTER M. SCHWARZ LEUCHTE
20	WY19049	COPERTURA INTERRUTTORE	SWITCH COVER	PROTECTION INTERRUPTEUR	SCHALTER ABD.
21	WY20299003	TELERUTTORE AF16 30A 100/250V	RELAY SWITCH AF16 30A 100/250V	TELERUPTEUR AF16 30A 230/240V	CONTROL SWITCH AF16 30A 230/240V
21	WY20299004	TELERUTTORE 120V	RELAY SWITCH 120V	TELERUPTEUR 120V	CONTROL SWITCH 120V

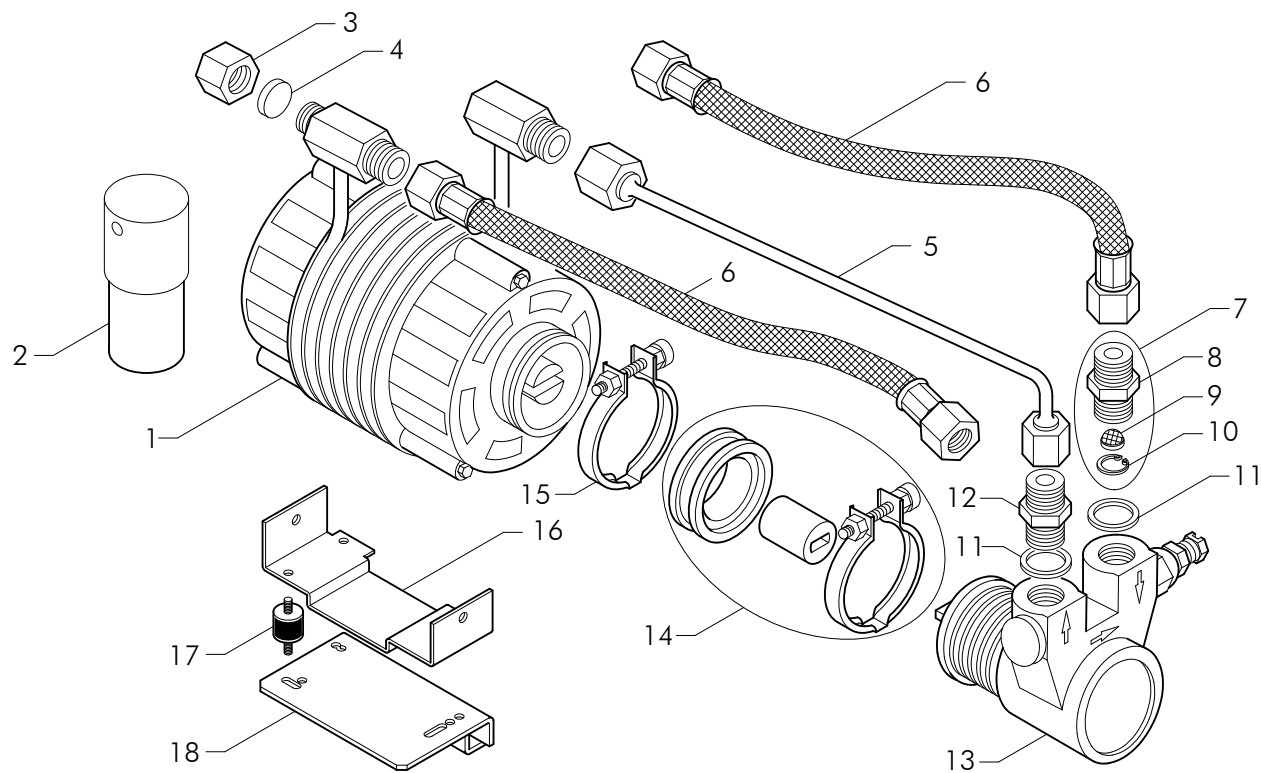


SCALDATAZZE - CUP HEATING - CHAUFFE TASSES - TASSENWARMER

Pos	Cod.	Denominazione - IT -	Denomination - GB -	Denomination - FR -	Denomination - DE -
1	WY17020	RESISTENZA 2GR 120V 200W	HEATING ELEMENT 2GR 120V 200W	RESISTANCE 2GR 120V 200W	WIDERSTAND 2GR 120V 200W
1	WY17022	RESISTENZA 2GR 230V 200W	HEATING ELEMENT 2GR 230V 200W	RESISTANCE 2GR 230V 200W	WIDERSTAND 2GR 230V 200W
1	WY17023	RESISTENZA 3GR 230V 250W	HEATING ELEMENT 3GR 230V 250W	RESISTANCE 3GR 230V 250W	WIDERSTAND 3GR 230V 250W
1	WY17024	RESISTENZA 4GR 230V 300W	HEATING ELEMENT 4GR 230V 300W	RESISTANCE 4GR 230V 300W	HEIZKORPER 4GR 230V 300W
2	WY20306000	SONDA NTC K100 ES 13 SCTE SB	PROBE NTC K100 ES 13	SONDE NTC K100 ES 13	SONDE NTC K100 ES 13
3	WY25338000	BLOCCETTO SONDA NTC	PROBE BLOCK NTC	BLOC SONDE NTC	SONDE ANSCHLAG NTC
4	WY77583100	STAFFA BLOCCETTO SONDA	BLOCK BRACKET	ETRIER BLOC	ANSCHLAG BUGEL
5	WY22715901	CABLAGGIO SONDA	CABLE PROBE	CABLAGE SONDE	VERKABELUNG SONDE
5	WY22715904	CABLAGGIO SONDA SCTE UL	CABLE PROBE UL	CABLAGE SONDE UL	VERKABELUNG SONDE UL
6	WY22717801	CABLAGGIO SDOPPIATORE USCITA UL	CABLE CONNECTION UL	CABLAGE JONCTION UL	VERDRAHTUNG VERBINDUNG UL
6	WY227181	CABLAGGIO PROLUNGA LAMPADINA	WIRING FOR LAMP	CABLE PROLONGE LAMPE	VERDRAHTUNG LAMPE
7	WY22723002	CABLAGGIO SCALDATAZZE ELETTRICO 2-4GR	ELECTR.CUP HEAT.WIRING 2-4GR	CABLE CHAUFFE-TASSES ELEC. 2-4GR	ELEKTR.VERKABELUNG TASSENWARMER 2-4GR
7	WY22723005	CABLAGGIO SCALDATAZZE ELETTRICO 2-4GR UL	ELECTR.CUP HEAT.WIRING 2-4 UNIT UL	CABLE CHAUFFE-TASSES ELEC. 2-4GR UL	ELEKTR.VERKABELUNG TASSENWORMER 2-4 UL
8	WY18263	INTERRUTTORE BIP. NERO LED LUMIN.ROSSO	BIP. LUMIN. BLACK SWITCH	INTER.BIP.LUMIN. NOIR	ZWEIP.SCHALTER M. SCHWARZ LEUCHTE
9	WY19049	COPERTURA INTERRUTTORE	SWITCH COVER	PROTECTION INTERRUPTEUR	SCHALTER ABD.
10	WY21023	LAMPADA SPIA ROSSA 230V	RED PILOT LIGHT 230V	LAMPE TEMOIN ROUGE 230V	ROTE KONTROLLEUCHTE 230V
10	WY21025	LAMPADA SPIA ROSSA 120V	RED PILOT LIGHT 120V	LAMPE TEMOIN ROUGE 120V	ROTE KONTROLLEUCHTE 120V
11	WY10760	BLOCCETTO MASCHIO	MALE BLOCK	MODULE MALE	STECKER
12	WY22717920	CABLAGGIO SCALDATAZZE	ELECTR.CUP HEAT.WIRING	CABLE CHAUFFE-TASSES ELEC.	ELEKTR.VERKABELUNG TASSENWARMER
12	WY22717922	CABLAGGIO SCALDATAZZE UL	ELECTR.CUP HEAT.WIRING UL	CABLE CHAUFFE-TASSES ELEC. UL	ELEKTR.VERKABELUNG TASSENWARMER UL
13	WY78206405	SUPPORTO REGOLATORE	THERMOSTAT SUPPORT	SUPPORT THERMOSTAT	THERMOSTAT SUPPORT
14	WY18090039	REGOLATORE TEMP.ELETTR.SCTE 120V	THERMOSTAT 120V	THERMOSTAT 120V	THERMOSTAT 120V
14	WY18090040	REGOLATORE TEMP.ELETTR.SCTE 230V	THERMOSTAT 230V	THERMOSTAT 230V	THERMOSTAT 230V
15	WY77692224	PROTEZIONE REGOLATORE TEMPERATURA	THERMOSTAT GUARD	PROTECTEUR THERMOSTAT	ABDECKUNG THERMOSTAT

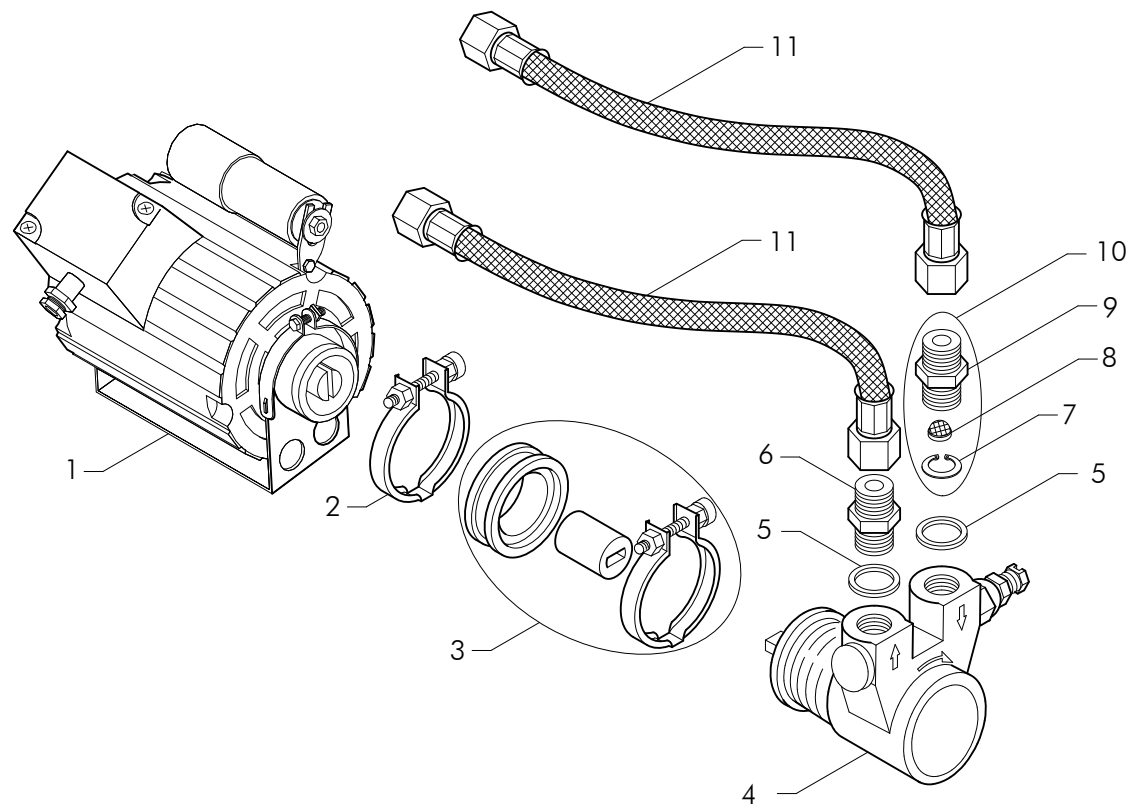


Pos	Cod.	Denominazione - IT -	Denomination - GB -	Denomination - FR -	Denomination - DE -
1	WY15010	BLOCCO+COL.AVN M22x1.5 SIT 0073952	GAS STARTER M22X1.5 SIT 0073952	BLOC ALLUMAGE GAZ	ZUNDUNGSPERRE GAS AVN M22x1.5
2	WY22002	CAVO AL GAS/SIT 0028511 PIEZ L800	GAS/SIT FEEDING CABLE 0028520 L800	CABLE ALIMENTATION GAZ SIT 0028520	GAS/SIT SPEISEKABEL 0028520 L800
3	WY51005	ASSIEME REGOLATORE GAS x SICUREZZA	GAS REGULATOR	ENSEMBLE REGULATEUR GAZ	GASREGELUNGSSATZ
4	WY51003	ASSIEME REGOLATORE GAS NORMALE POLI	NORMAL GAS REGULATOR SET *POLES*	ENSEMBLE REGULATEUR GAZ NORMAL	GASREGELUNGSSATZ
5	WY20222	RUBINETTO SICUREZZA GAS SABAF	GAS SECURITY VALVE SABAF	ROBINET SURETE GAZ SABAF	GASSICHERHEITSHAHN SABAF
6	WY52003449	TBS.D-8 L.90	TUBE D-8 L.90	TUYAU D-8 L.90	ROHR D-8 L.90
7	WY10350	GHIERA GAS SIT	GAS RING NUT SIT	EMBOUT POUR GAZ SIT	GASZWINGE SIT
8	WY23019	DADO M12x1 OTTONE	S.I.T. BRASS NUT M12X1	ECROU M12X1 LAITON POUR S.I.T.	MESSING SCHRAUBENMUTTER M12x1
9	WY25396	DADO 1/4 SP.4	NUT 1/4 - 4 THICK	ECROU 1/4 SP.4	MUTTER 1/4
10	WY25715010	RACCORDO DRITTO 1/4F 1/4M CONICO	CONNECTOR 1/4 F 1/4 M	RACCORD DROIT 1/4 F 1/4 M	ANSCHLUSS 1/4F 1/4M
11	WY12662004	GUARNIZIONE ALL.11x7x1.5	GASKET 11x7x1.5	JOINT 11x7x1.5	DICHTUNG 11x7x1.5
12	WY25621100	PROLUNGA RUBINETTO GAS	EXTENSION GAS	RALLONGE GAZ	VERLANGERUNGSGAS
13	WY25621005	PRESA DI PRESSIONE 1/8 GAS	CONNECTOR 1/8	RACCORD 1/8	ANSCHLUSS 1/8
14	WY18552	TERMOCOPPIA SIT 0290004 L600	THERMOCOUPLE SIT L=600	TIGE THERMOCOUPLE GAZ L=600	THERMOELEMENT SIT 02900040L600
15	WY78066203	SUPPORTO SINISTRO GAS	LEFT SUPPORT FOR GAS	SUPPORT GAUCHE POUR GAZ	GESTELL GAS LINK
16	WY78066103	SUPPORTO DESTRO GAS	RIGHT SUPPORT FOR GAS	SUPPORT DROIT POUR GAZ	GESTELL GAS RECHT
17	WY52001312	TUB.D-6 L.510 2GR	TUBE D-6 L.510	TUYAU D-6 L.510	ROHR D-6 L.510
18	WY10660	REGOLATORE ARIA	AIR REGULATOR	REGULATEUR AIR	LUFTREGLER
19	WY23220	RACCORDO PORTAUGELLO	NOZZLE-BEARER CONNECTOR	RACCORD PORTE-GIGLEUR	FITTING FUR DUSETRAGER
20	WY10900	UGELLO EM 1.00N METANO	METHANE NOZZLE EM 1.00N	GICLEUR EM 1.00N METHANE	DUSE EM 1.00N METHAN
20	WY10901	UGELLO EM 0.60N GPL	GPL NOZZLE EM 0.60N	GICLEUR EM 0.60N G P L	DUSE EM 0.60N G P L
20	WY10903	UGELLO EM 1.10N METANO	METHANE NOZZLE EM 1.10N	GICLEUR EM 1.10N METHANE	DUSE EM 1.10N METHAN
20	WY10904	UGELLO EM 0.65N GPL	GPL NOZZLE EM 0.65N	GICLEUR EM 0.65N GPL	DUSE EM 0.65N GPL
20	WY10906	UGELLO EM 1.35N METANO	METHANE NOZZLE EM 1.35N	GICLEUR EM 1.35N METHANE	DUSE EM 1.35N METHAN
20	WY10907	UGELLO EM 0.80N GPL	GPL NOZZLE EM 0.80N	GICLEUR EM 0.80N G P L	DUSE EM 0.80N G P L
20	WY10909	UGELLO EM 1.45N METANO	METHANE NOZZLE EM 1.45N	GICLEUR EM 1.45N METHANE	DUSE EM 1.45N METHAN
20	WY10910	UGELLO EM 0.85N GPL	GPL NOZZLE EM 0.85N	GICLEUR EM 0.85N G P L	DUSE EM 0.85N G P L
20	WY10912	UGELLO EM 0.75N GPL	GPL NOZZLE EM 0.75N	GICLEUR EM 0.75N GPL	DUSE EM 0.75 GPL
21	WY30011	BRUCIATORE 2GR 306/12 POLI	2 GROUPS BURNER 306/12 POLES	BRULEUR 2GR 306/12 POLES	BRENNER 2GR 06/12 POLEN
22	WY30012	BRUCIATORE 3GR 307/12 POLI	3-4 GROUPS BURNER 307/12 POLES	BRULEUR 3-4GR 307/12 POLES	BRENNER 3-4GR 307/12 POLEN
23	WY30013	BRUCIATORE 4GR 102.0211.00 POLI	4GR BURNER 102.0211.00 POLES	BRULEUR 4GR 102.0211.00 POLES	BRENNER 4GR 102.0211.00 POLEN
24	WY780663	SUPPORTO TERMOCOPPIA GAS 20/10	SUPPORT FOR THERMOCOUPLE GAS	SUPPORT POUR THERMOCOUPLE GAZ	GESTELL THERMOELEMENT
25	WY10751	SUPPORTO TERMOCOPPIA SIT 0978021	THERMOCOUPLE SIT STAND 0978021	SUPPORT THERMOCOUPLE SIT 0978021	THERMOELEMENT HALTER SIT 0978021
26	WY10750	SUPPORTO TERMOCOPPIA SIT 0978009	THERMOCOUPLE SIT STAND 0978009	SUPPORT THERMOCOUPLE SIT 0978009	THERMOELEMENT HALTER SIT 0978009
27	WY23410	VITE TE UNI 3/16x18	SCREW TE 3/16x18	VIS TE 3/16x18	SCHRAUBE TE UNI 3/16x18
28	WY20030	CANDELA M 4 PILOTA 0100 0915036	PILOT SPARK PLUG M4 0100 GAS	BOUGIE M 4 PILOTE	KERZE M 4 0100 SIC/GAS
29	WY52003044	TBS.D-10 L.230 2GR GAS	TUBE D-10 L.230	TUYAU D-10 L.230	ROHR D-10 L.230
30	WY77422002	COPRICALDAIA 2GR	BOILER COVER 2GR	COUVRE-CHAUDIERE 2GR	KESSELDECKEL 2GR
31	WY77423002	COPRICALDAIA 3GR	BOILER COVER 3GR	COUVRE-CHAUDIERE 3GR	KESSELDECKEL 3GR
32	WY77424002	COPRICALDAIA 4GR	BOILER COVER 4GR	COUVRE-CHAUDIERE 4GR	KESSELDECKEL 4GR



INTERNA - INTERNAL - INTÉRIEUR - INNEN

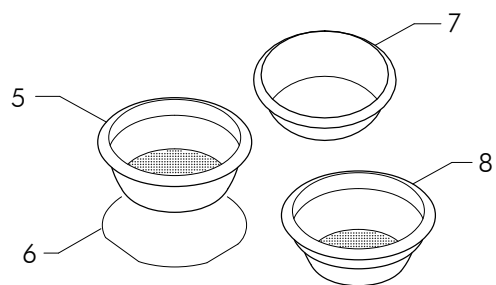
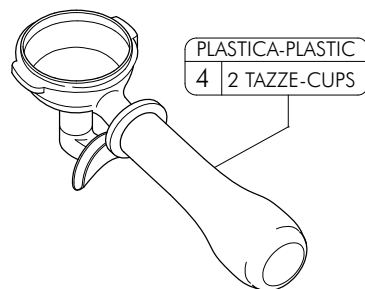
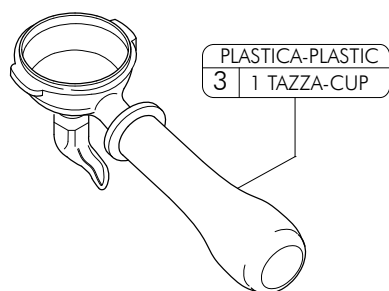
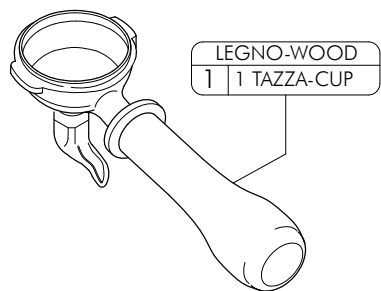
Pos	Cod.	Denominazione - IT -	Denomination - GB -	Denomination - FR -	Denomination - DE -
1	WY4656407	MOTORE RPM 120V 60Hz R.H2O	MOTOR RPM CW510L	MOTOR RPM CW510L	MOTOR RPM CW510L
1	WY56406	MOTORE RPM Ni 230V 50/60 R.H2O ASSIEME	MOTOR RPM 230V 50/60Hz H2O	MOTEUR RPM 230V 50/60Hz H2O	MOTOR RPM 230V 50/60Hz H2O
2	WY19062001	CONDENSATORE MOTORE 230V 7uF	MOTOR CAPACITOR 230V 7uF	CONDENSATEUR MOTEUR 230V 7uF	KONDENSATOR MOTOR 230V 7uF
2	WY19066001	CONDENSATORE UL 25mF	MOTOR CAPACITOR UL 25MF	CONDENSATEUR MOTEUR UL 25 MF	KONDENSATOR MOTOR UL 25 MF
3	WY25782	TAPPO FEMMINA 1/4 GAS	1/4 GAS FEMALE TAP	BOUCHON FEMELLE 1/4 GAZ	INNENANSCHLUSSSTOPSEL 1/4 GAS
4	WY12007	GUARNIZIONE KLINGERSIL4400	KLINGERSIL4400 SEAL	JOINT KLINGERSIL4400	DICHTUNG KLINGER SIL4400
5	WY52002814	TUBO D-6 L.200	TUBE D-6 L.200	TUYAU D-6 L.200	ROHR D-6 L.200
6	WY4630404	TUBOFLEX 3/8 L-450mm CW510L	FLEX PIPE 3/8 CW510L	TUYAU FLEX 3/8 CW510L	SCHLAUCH 3/8 CW510L
7	WY56116	RACCORDO 3/8+3/8 MOTOPOMPA ASSIEME	CONNECTOR 3/8+3/8 PUMP ASSEMBLY	RACCORD 3/8 + 3/8 ENS. MOTOPOMPE	ANSCHLUSS 3/8 + 3/8 MOTORP. ZUSAMMEN
8	WY25732	RACCORDO 3/8x3/8 + SEDE FILTRO	3/8x3/8 FITTING + FILTER HOUSING	RACCORD 3/8x3/8 + LOG. FILTRE	ANSCHLUSS 3/8x3/8 + FILTERSITZ
9	WY10254	FILTRO ACCIAIO 160-200 MESH	STEEL FILTER 160-200 MESH	FILTRE EN ACIER 160-200 MESH	STAHLFILTER 160-200 MESH
10	WY10005	ANELLO DI ARRESTO INOX	STAINLESS STEEL STOP RING	ANNEAU DE BUTEE INOX	DRAHTSPRENGRING ROSTFREI
11	WY12154	GUARNIZIONE CU 3/8 22x17x1.5	GASKET COPPER 3/8 22x17x1,5	JOINT CUIVRE 3/8 22x17x1.5	KUPFERDICHTUNG 3/8 22x17x1.5
12	WY25687	RACCORDO 3/8x3/8 GAS	3/8x3/8 GAS FITTING	RACCORD 3/8x3/8 GAZ	ANSCHLUSS 3/8x3/8 GAS
13	WY4626303	POMPA FLUID-O-TECH CW510L	PUMP FLUYD CW510L	POMPE CW510L	PUMPE CW510L
14	WY83260016R	KIT DISACCOPIAMENTO MOTORE POMPA	KIT COUPLING MOTOR-PUMP	ENSEMBLE DECOUPLAGE MOTEUR POMPE	KIT MOTOR-PUMPE KUPPLUNG
15	WY26310003	FASCETTA GIUNZIONE MOTORE-POMPA	CLAMP MOTOR-PUMP	BANDE MOTEUR-POMPE	SHELLE MOTOR-PUMPE
16	WY78174001	SUPPORTO MOTORE	MOTOR SUPPORT	SUPPORT MOTEUR	EINGEBAUTER MOTORHALTER
17	WY15105	GOMMA AMMORTIZZATORE	RUBBER FOR MOTOR	CAOUTCHOUC POUR MOTEUR	GUMMI x MOTOR
18	WY78167014	SUPPORTO MOTORE	MOTOR SUPPORT	SUPPORT MOTEUR	EINGEBAUTER MOTORHALTER



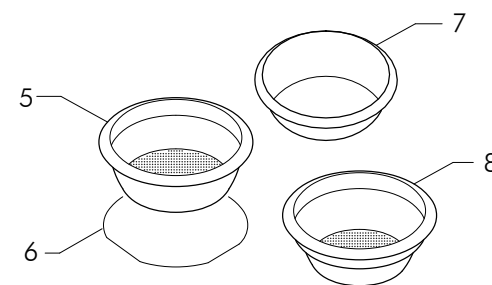
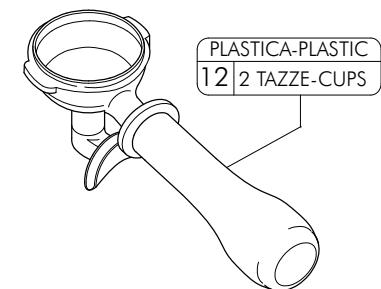
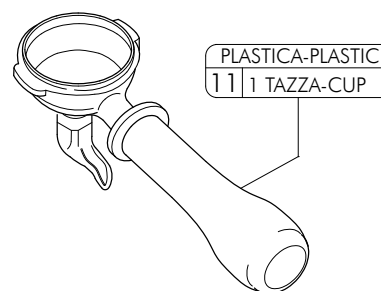
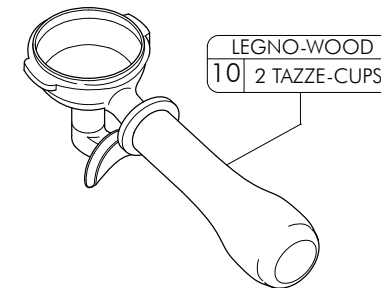
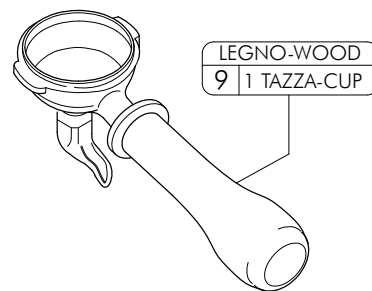
ESTERNA - EXTERNAL - EXTERNE - EXTERN

Pos	Cod.	Denominazione - IT -	Denomination - GB -	Denomination - FR -	Denomination - DE -
1	WY18300	MOTORE R.P.M. 230/50-60 110027.06	MOTOR R.P.M. 230/50-60 110027.06	MOTEUR TOURS/MIN 230/50-60 110027.0	MOTOR R.P.M. 230/50-60 110027.06
2	WY26310003	FASCETTA GIUNZIONE MOTORE-POMPA	CLAMP MOTOR-PUMP	BANDE MOTEUR-POMPE	SCHELLE MOTOR-PUMPE
3	WY83260016R	KIT DISACCOPPIAMENTO MOTORE POMPA	KIT COUPLING MOTOR-PUMP	ENSEMBLE DECOUPLAGE MOTEUR POMPE	KIT MOTOR-PUMPE KUPPLUNG
4	WY4626303	POMPA FLUID-O-TECH CW510L	PUMP FLUYD CW510L	POMPE CW510L	PUMPE CW510L
5	WY12154	GUARNIZIONE CU 3/8 22x17x1.5	GASKET COPPER 3/8 22x17x1,5	JOINT CUIVRE 3/8 22x17x1.5	KUPFERDICHTUNG 3/8 22x17x1.5
6	WY25687	RACCORDO 3/8x3/8 GAS	3/8x3/8 GAS FITTING	RACCORD 3/8x3/8 GAZ	ANSCHLUSS 3/8x3/8 GAS
7	WY10005	ANELLO DI ARRESTO INOX	STAINLESS STEEL STOP RING	ANNEAU DE BUTEE INOX	DRAHTSPRENGRING ROSTFREI
8	WY10254	FILTRO ACCIAIO 160-200 MESH	STEEL FILTER 160-200 MESH	FILTRE EN ACIER 160-200 MESH	STAHLFILTER 160-200 MESH
9	WY25732	RACCORDO 3/8x3/8 + SEDE FILTRO	3/8x3/8 FITTING + FILTER HOUSING	RACCORD 3/8x3/8 + LOG. FILTRE	ANSCHLUSS 3/8x3/8 + FILTERSITZ
10	WY56116	RACCORDO 3/8+3/8 MOTOPOMPA ASSIEME	CONNECTOR 3/8+3/8 PUMP ASSEMBLY	RACCORD 3/8 + 3/8 ENS. MOTOPOMPE	ANSCHLUSS 3/8 + 3/8 MOTORP. ZUSAMMEN
11	WY4630407	TUBOFLEX 3/8FF P.GOMMA CON. L-1000mm CW510	FLEX PIPE 3/8 L100	TUYAU FLEX 3/8 FF L100	SCHLAUCH 3/8 AUFNAHMETUR L100
11	WY4630408	TUBOFLEX 3/8FF P.GOMMA L-1500mm CW510L	FLEX PIPE 3/8 L.150 CW510L	TUYAU FLEX 3/8 FF L.150 CW510L	SCHLAUCH 3/8 AUFNAHMETUR L.150 GUMMI

ALE



EMA



Pos	Cod.	Denominazione - IT -	Denomination - GB -	Denomination - FR -	Denomination - DE -
1	WY27311035	PORTAFILTRO COMPLETO 1 TAZZA	FILTERHOLDER 1 CUP	PORTE FILTRE 1 TASSE	FILTERHALTER EINZELAUSLAUF
2	WY27311036	PORTAFILTRO COMPLETO 2 TAZZE	FILTERHOLDER 2 CUPS	PORTE FILTRE 2 TASSES	FILTERHALTER EINZELAUSLAUF
3	WY27311033	PORTAFILTRO COMPLETO 1 TAZZA	FILTER HOLDER 1 CUP	PORTE FILTRE 1 TASSE	FILTERHALTER EINZELAUSLAUF
4	WY27311034	PORTAFILTRO COMPLETO 2 TAZZE	FILTERHOLDER 2 CUPS	PORTE FILTRE 2 TASSES	FILTERHALTER EINZELAUSLAUF
5	WY27171	FILTRO INOX 2 TAZZE H.24,5 E/61	E/61 2 CUPS S.STEEL FILTER H.24,5	FILTRE INOX 2 TASSES E/61 H.24,5	EDELSTAHL-FILTER 2 TASSEN E/61 H.24,5
5	WY27171000	FILTRO INOX 2T E/61 D.FORI 0,25	E/61 2 CUP S.STEEL FILTER HOLE D.0,25	FILTRE INOX 2 TASSES E/61 TROU D.0,25	FILTER 2 TASSEN E61 AUSSPARUNG D.0,25
6	WY27255	MOLLA FERMAFILTRO D-1,2	FILTER HOLDER SPRING	RESSORT FERME-FILTRE	FEDER FUR FILTERHALTER
7	WY27173	FILTRO INOX 2 TAZZE CIECO	2 CUPS STAINLESS STEEL BLIND FILTER	FILTRE INOX 2 TASSES AVEUGLE	GESCHLOSSENER FILTER 2 TASSEN
8	WY27142	FILTRO INOX 1 TAZZA E/61 H.24	E/61 1 CUP S.STEEL FILTER H.24	FILTRE INOX 1 TASSE E/61 H.24	EDELSTAHL-FILTER 1 TASSE E/61 H.24
8	WY27142000	FILTRO INOX 1T E/61+CAN. DIAM.FORI 0,25	E/61 1 CUP S.STEEL FILTER HOLE D.0,25	FILTRE INOX 1 TASSE E/61 TROU D.0,25	FILTER 1 TASSE E/61 AUSSPARUNG D.0,25
9	WY8327311011R	KIT PORTAFILTRO 1 TAZZA EMA LEGNO	KIT FILTERHOLDER 1 CUP	KIT ENSEMBLE PORTE-FILTRE 1 TASSE	KIT FILTERHALTER EINZELAUSLAUF
10	WY8327311012R	KIT PORTAFILTRO 2 TAZZE EMA LEGNO	KIT FILTERHOLDER 2 CUPS	KIT ENSEMBLE PORTE-FILTRE 2 TASSE	KIT FILTERHALTER EINZELAUSLAUF
11	WY27311204	PORTAFILTRO 1 TAZZA COPERTURA NERA SENZA T	FILTERHOLDER 1 CUP	PORTE FILTRE 1 TASSE	FILTERHALTER
12	WY27311205	PORTAFILTRO 2 TAZZE COPERTURA NERA SENZA T	FILTER HOLDER 2 CUPS	PORTE FILTER 2 TASSES	FILTERHALTER