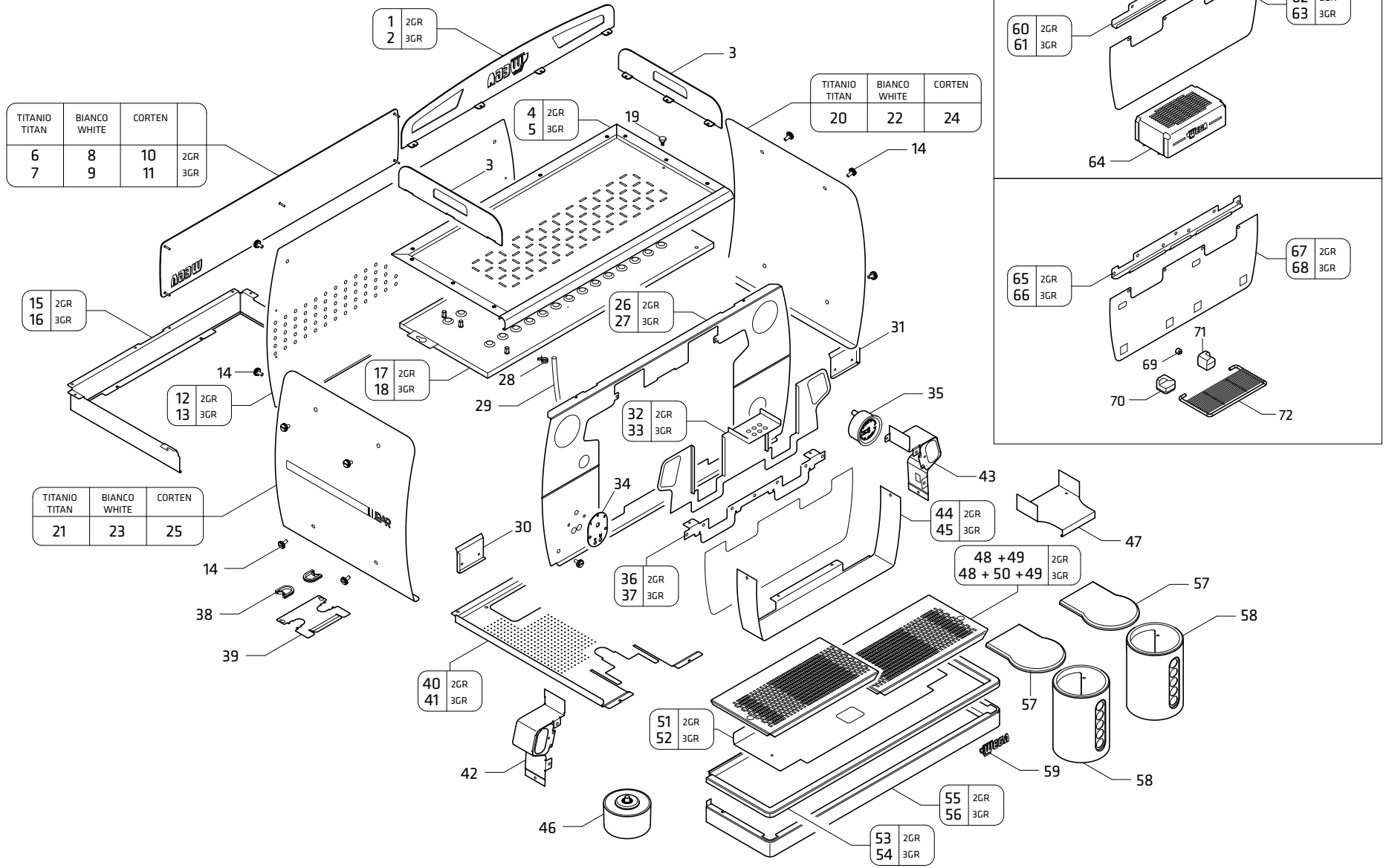


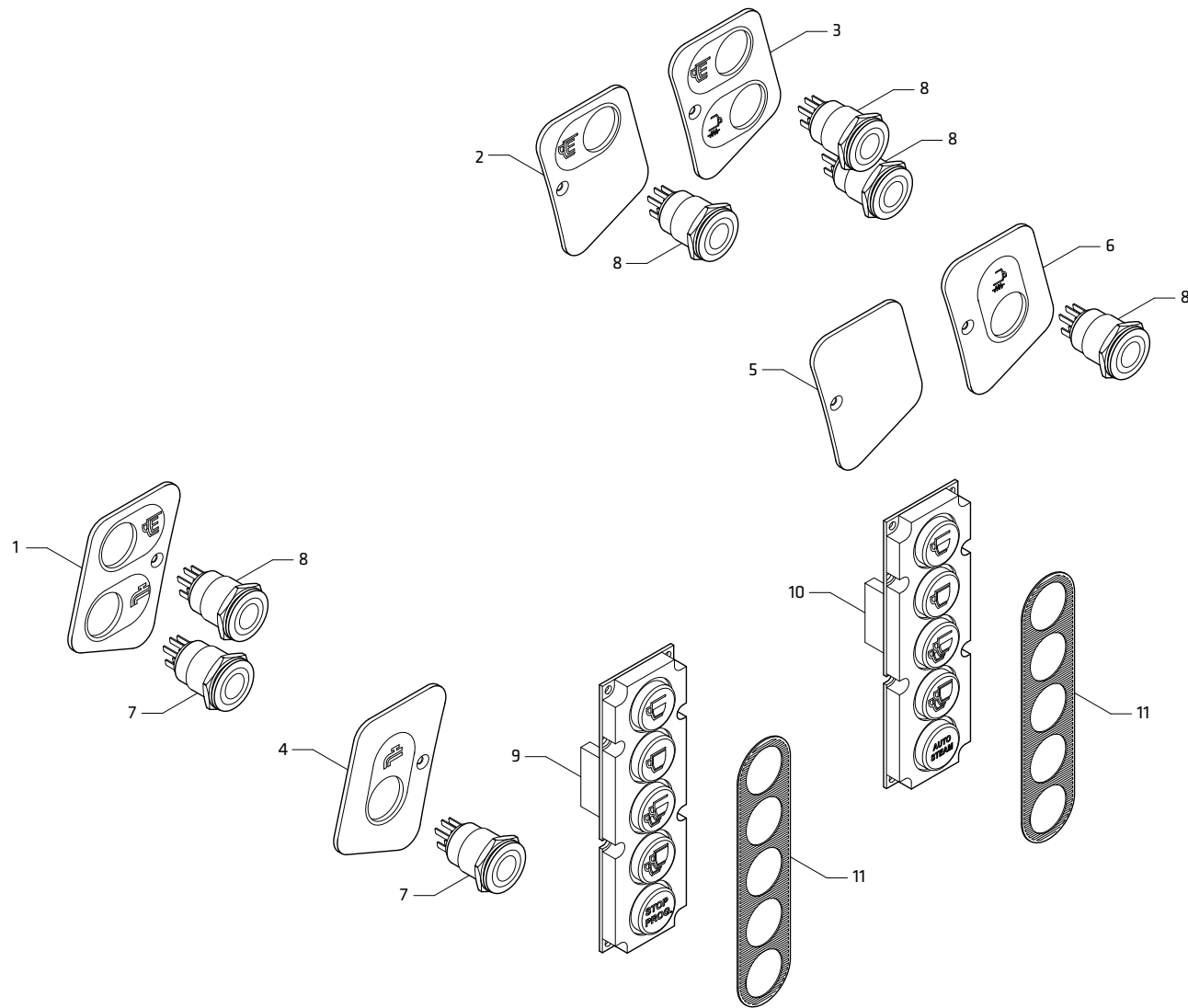
Tav.		Pag.	Rev.	Data
WB - 01	Carrozzeria - Body parts - Carosserie - Karosserie	2	02	10/2023
WB - 11	Pulsantiera - Push buttons - Claviers - Tastaturen	6	02	10/2023
Tubetti acqua/Vapore/Autosteamer - Taps water/Steam/Autosteamer - Robinets eau/Vapeur/Autosteamer - Wasserhahn/Dampfhahn/Autosteamer				
WB - 21	Tubetti ACQUA - Taps WATER - Robinets EAU - WASSERHAHN	8	00	12/2020
WB - 22	Tubetti VAPORE - Taps STEAM - Robinets VAPEUR - DAMPFHAHN	10	00	12/2020
WB - 23	Autosteamer - Automatischdampf	12	00	12/2020
WB - 31	Gruppo - Group - Groupe - Gruppe	15	00	02/2023
WB - 41	Caldaia - Boiler - Chaudiere - Kessel	17	00	12/2020
Impianti idraulici - Hydraulic circuits - Circuits hydrauliques - Wasser anlage				
WB - 51	EVD/2	19	01	12/2021
WB - 52	EVD/3	22	01	12/2021
WB - 61	Impianto elettrico - Electrical system - Circuit electrique - Strom anlage	25	02	10/2023
WB - 81	Motopompa - Motor pump - Motopompe - Motor pump	27	00	12/2020
WB - 91	Filtri e portafiltri - Filters & filters holder - Filtres et porta filtres - Filter und filterhalter	29	00	12/2020



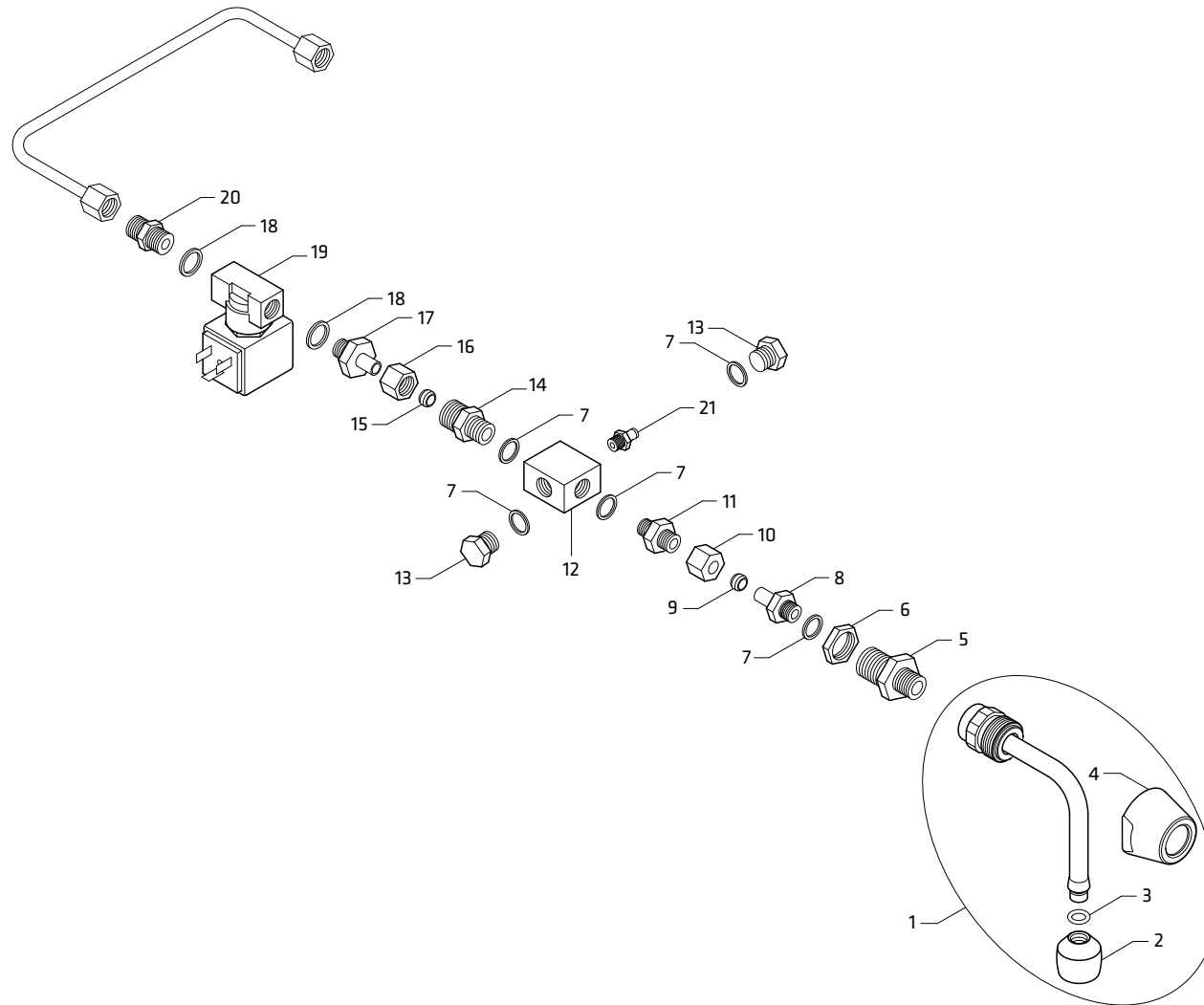
Pos.	Code	Food Denominazione - IT -	Denomination - GB -	Denomination - FR -	Beschreibung - DE -
1	WY77169133	PROF FERMATAZZE 2GR NERO OPACO LOGO WEGA WBAR	CUP HOLDER PROFILE BLACK 2GR	PROFIL DE COUPES NOIR 2GR	PROFIL FÜR CUPS SCHWARZ 2GR
2	WY77169135	PROF FERMATAZZE 3GR NERO OPACO LOGO WEGA WBAR	CUP HOLDER PROFILE BLACK 3GR	PROFIL DE COUPES NOIR 3GR	PROFIL FÜR CUPS SCHWARZ 3GR
3	WY77169131	PROF FERMATAZZE DX/SX NERO OPACO WBAR	CUP HOLDER PROFILE BLACK LH/RH	PROFIL DE COUPES NOIR GAUCHE/DROITE	PROFIL FÜR CUPS SCHWARZ LINKS/RECHTS
4	WY76100338	GRIGLIA/VASCA SUP 2GR INOX	TOP GRATE 2GR S.STEEL	GRILLE SUPÉRIEURE 2GR INOX	OBERGITTER 2GR STAHL
5	WY76100339	GRIGLIA/VASCA SUP 3GR INOX	TOP GRATE 3GR S.STEEL	GRILLE SUPÉRIEURE 3GR INOX	OBERGITTER 3GR STAHL
6	WY75270008	PANNELLO POSTERIORE 2GR WBAR LOGO WEGA TITANIO BRUNITO OPACO	REAR PANEL 2GR WBAR LOGO WEGA MATT TITANIUM	PANNEAU ARRIÈRE 2GR WBAR LOGO WEGA TITANIUM MAT BRUNI	HINTERE VERKLEIDUNG 2GR WBAR WEGA MATT TITANIUM
7	WY75270009	PANNELLO POSTERIORE 3GR WBAR LOGO WEGA TITANIO BRUNITO OPACO	REAR PANEL 3GR WBAR LOGO WEGA MATT TITANIUM	PANNEAU ARRIÈRE 3GR WBAR LOGO WEGA TITANIUM MAT BRUNI	HINTERE VERKLEIDUNG 3GR WBAR WEGA MATT TITANIUM
8	WY75270006	PANN LOGO WEGA CARR POST 2GR BIANCO OPACO WB01 WBAR	REAR PANEL 2GR WBAR LOGO WEGA WHITE	PANNEAU ARRIÈRE 2GR WBAR LOGO WEGA BLANC	HINTERE VERKLEIDUNG 2GR WBAR WEGA WEISS
9	WY75270007	PANN LOGO WEGA CARR POST 3GR BIANCO OPACO WB01 WBAR	REAR PANEL 3GR WBAR LOGO WEGA WHITE	PANNEAU ARRIÈRE 3GR WBAR LOGO WEGA BLANC	HINTERE VERKLEIDUNG 3GR WBAR WEGA WEISS
10	WY75270013	PANNELLO LOGO WEGA POSTERIORE 2GR CORTEN	REAR PANEL 2GR LOGO WEGA CORTEN	PANNEAU ARRIÈRE 2GR LOGO WEGA CORTEN	HINTERE VERKLEIDUNG 2GR WEGA CORTEN
11	WY75270014	PANNELLO LOGO WEGA POSTERIORE 3GR CORTEN	REAR PANEL 3GR LOGO WEGA CORTEN	PANNEAU ARRIÈRE 3GR LOGO WEGA CORTEN	HINTERE VERKLEIDUNG 3GR WEGA CORTEN
12	WY75270000	PANNELLO POSTERIORE 2GR WBAR NERO OPACO	REAR PANEL 2GR WBAR BLACK MATT	PANNEAU ARRIÈRE 2GR NOIR MAT	HINTERE VERKLEIDUNG 2GR WBAR MATTSCHWARZ
13	WY75270001	PANNELLO POSTERIORE 3GR WBAR NERO OPACO	REAR PANEL 3GR WBAR BLACK MATT	PANNEAU ARRIÈRE 3GR NOIR MAT	HINTERE VERKLEIDUNG 3GR WBAR MATTSCHWARZ
14	WY23704509	VITE ESTETICA TESTA CILINDRICA D20 M6X12 DIN 921 AISI 304	STEEL SCREW D20 M6X12	VIS INOX D20 M6X12	STAHLSCHRAUBE D20 M6X12
15	WY77693260	PROFILO POSTERIORE BASE 2GR WBAR NERO OPACO	REAR PROFILE 2GR MATT BLACK	PROFIL ARRIÈRE 2GR NOIR MAT	HINTERES PROFIL 2GR MATTSCHWARZ
16	WY77693261	PROFILO POSTERIORE BASE 3GR WBAR NERO OPACO	REAR PROFILE 3GR MATT BLACK	PROFIL ARRIÈRE 3GR NOIR MAT	HINTERES PROFIL 3GR MATTSCHWARZ
17	WY77230918	SUPPORTO RESISTENZA SCTE/VASCA ANTISVERSAMENTO 2GR	DRIP TRAY 2GR	ÉGOUTTOIR 2GR	TROPFSCHALE 2GR
18	WY77230919	SUPPORTO RESISTENZA SCTE/VASCA ANTISVERSAMENTO 3GR	DRIP TRAY 3GR	ÉGOUTTOIR 3GR	TROPFSCHALE 3GR
19	WY23420006	VITE TE BOMBATA M4x12	M4x12 NICKEL-PLATED BRASS HEX.HEAD SCREW	VIS TH LAITON M4x12 NICKEELEE	SECHSKANTSCHRAUBE AUS MESSING M4x12
20	WY73186106	FIANCO DX TITANIO BRUNITO OPACO + SERIGRAFIA WBAR	RIGHT SIDE BURNISHED TITANIUM	COTE DROIT TITANE BRÛLÉ	RECHTS SEITE VERBRANNTES TITAN
21	WY73186107	FIANCO SX TITANIO BRUNITO OPACO + SERIGRAFIA WBAR	LEFT SIDE BURNISHED TITANIUM	COTE GAUCHE TITANE BRÛLÉ	LINKS SEITE VERBRANNTES TITAN
22	WY73186104	FIANCO DX BIANCO OPACO WB01 + SERIGRAFIA WBAR	RIGHT SIDE WHITE	COTE DROIT BLANC	RECHTS SEITE WEISS
23	WY73186105	FIANCO SX BIANCO OPACO WB01 + SERIGRAFIA WBAR	LEFT SIDE WHITE	COTE GAUCHE BLANC	LINKS SEITE WEISS
24	WY73186110	FIANCO DX CORTEN + SERIGRAFIA WBAR	LEFT SIDE CORTEN	COTE GAUCHE CORTEN	LINKS SEITE CORTEN
25	WY73186111	FIANCO SX CORTEN + SERIGRAFIA WBAR	RIGHT SIDE CORTEN	COTE DROIT CORTEN	RECHTS SEITE CORTEN
26	WY77693205	COPRICALDAIA ESTERNO 2GR NERO OPACO WBAR	EXTERNAL BOILER COVER 2GR	COUVRE CHAUDIÈRE EXTERNE 2GR	EXTERNE KESSELDECKEL 2GR
27	WY77693206	COPRICALDAIA ESTERNO 3GR NERO OPACO WBAR	EXTERNAL BOILER COVER 3GR	COUVRE CHAUDIÈRE EXTERNE 3GR	EXTERNE KESSELDECKEL 3GR
28	WY15056007	FASCETTA BIFILARE A MOLLA D.15.9-16.8	SPRING CLAMP BI FILAR D15,90-16.8	COLLIER BIFILAIRE RESSORT D.15.90-16.8	SCHELLE D. 15,9-16,8
29	WY15477017	● TUBO SILICONE PLATINICO 12x9	SILICON TUBE 12x9	TUBE EN SILICONE 12x9	ROHR SILIKON 12x9
30	WY77693263	PROTEZIONE POSTERIORE SX BACINELLA NERO OPACO WBAR	REAR LEFT PROTECTION DRIP TRAY MATT BLACK	PROTECTION ARRIÈRE GAUCHE BASSIN NOIR	HINTERER LINKER SCHUTZ DRIP TRAY MATTSCHWARZ
31	WY77693262	PROTEZIONE POSTERIORE DX BACINELLA NERO OPACO WBAR	REAR RIGHT PROTECTION DRIP TRAY MATT BLACK	PROTECTION ARRIÈRE DROIT BASSIN NOIR	HINTERER RECHTE SCHUTZ DRIP TRAY MATTSCHWARZ
32	WY77693208	COPRICALDAIA SUPERIORE 2GR INOX/SB WBAR	S.STEEL TOP BOILER COVER 2GR	COUVRE CHAUDIERE SUPERIEURE INOX 2GR	KESSELDECKEL STAHL 2GR
33	WY77693210	COPRICALDAIA SUPERIORE 3GR INOX/SB WBAR	S.STEEL TOP BOILER COVER 3GR	COUVRE CHAUDIERE SUPERIEURE INOX 3GR	KESSELDECKEL STAHL 3GR
34	WY77693270	MOSTRINA COMMUTATORE 1-0-2/TENSIONE/TIME-OUT	SWITCH LABEL 1-0-2	ÉTIQUETTE COMMUTATION 1-0-2	SCHALTERSCHILD 1-0-2
35	WY4621115001	● MANOMETRO TONDO DOPPIA SCALA	PRESSURE GAUGE BLACK	MANOMETRE NOIR	MANOMETER SCHWARZ

Pos.	Code	Food Denominazione - IT -	Denomination - GB -	Denomination - FR -	Beschreibung - DE -
36	WY77693276	PROFILO COPRICALDAIA SUP. 2GR INOX	TOP COVER PROFILE 2GR S.STEEL	PROFIL DE COUVRE CHAUDIÈRE SUPERIEURE INOX 2GR	UNTERE KESSELABDECKUNG UNTERSTÜTZUNG 2GR
37	WY77693277	PROFILO COPRICALDAIA SUP. 3GR INOX	LOWER BOILER COVER SUPPORT 3GR	SUPPORT COUVRE CHAUDIERE INFERIEUR 3GR	UNTERE KESSELABDECKUNG UNTERSTÜTZUNG 3GR
38	WY15075008	FERMACAVO -U-	CABLE CLIP	CLIP CÂBLE	KABELCLIP
39	WY77693269	PROTEZIONE USCITA TUBO CARICO H2O/CAVO ALIMENTAZIONE WBAR	WATER INLET PIPE / POWER CABLE OUTLET PROTECTION	TUYAU D'ENTRÉE D'EAU / PROT. DE SORTIE DE CÂBLE D'ALIMENTATION	WASSEREINLASSROHR / STROMKABELAUSGANGSSCHUTZ
40	WY77685147	PROTEZIONE INFERIORE TELAIO 2GR WBAR	LOWER PROTECTION 2GR	GRILLE INFERIEURE PROTECTION 2GR	UNTEREGITTER 2GR
41	WY77685148	PROTEZIONE INFERIORE TELAIO 3GR WBAR	LOWER PROTECTION 3GR	GRILLE INFERIEURE PROTECTION 3GR	UNTEREGITTER 3GR
42	WY77693228	PROFILO COPRICALDAIA SX NERO OPACO WBAR	LEFT BOILER COVER PROFILE MATT BLACK	PROFIL DE COUVRE CHAUDIÈRE GAUCHE NOIR MAT	LINKSKESSELABDECKUNGSPROFIL MATTSCHWARZ
43	WY77693227	PROFILO COPRICALDAIA DX NERO OPACO WBAR	RIGHT BOILER COVER PROFILE MATT BLACK	PROFIL DE COUVRE CHAUDIÈRE DROITE NOIR MAT	RECHTKESSELABDECKUNGSPROFIL MATTSCHWARZ
44	WY77693223	PROFILO COPRICALDAIA INFERIORE 2GR NERO OPACO WBAR	PROFILE LOWER BOILER COVER 2GR	PROFIL COUVRE CHAUDIERE INFERIEUR 2GR	PROFIL UNTERER KESSELDECKEL 2GR
45	WY77693224	PROFILO COPRICALDAIA INFERIORE 3GR NERO OPACO WBAR	PROFILE LOWER BOILER COVER 3GR	PROFIL COUVRE CHAUDIERE INFERIEUR 3GR	PROFIL UNTERER KESSELDECKEL 3GR
46	WY15318008	PIEDINO FISSO D.100 H65	FIXED FOOT	PIED FIXE	FESTER FUSS
47	WY77693229	PROFILO PROTEZIONE STRIP LED 2GR NERO OPACO WBAR	LED STRIP PROTECTION PROFILE 2GR	PROFIL DE PROTECTION STRIP LED 2GR	LED-STREIFENSCHUTZPROFIL 2GR
48	WY76155001	GRIGLIA INFERIORE SINISTRA INOX/LUC.	LEFT LOWER GRILL - SHINY S.STEEL	GRILLE INF.GAUCHE INOX	STAHL-UNTER-LINKEGITTER
49	WY76154001	GRIGLIA INFERIORE DESTRA INOX/LUC.	RIGHT LOWER GRILL - SHINY S.STEEL	GRILLE INF.DROIT INOX	STAHL-UNTER-RECHTEGITTER
50	WY76156001	GRIGLIA INFERIORE INOX/LUC.	LOWER GRILL - SHINY S.STEEL	GRILLE INF.INOX	STAHL-UNTERGITTER
51	WY77693256	PROTEZIONE SOTTO BACINELLA 2GR WBAR	LOWER TRAY PROTECTION 2GR	PROTECTION INFERIEUR BASSINELLE 2GR	UNTEREN BECKEN-SCHUTZ 2GR
52	WY77693257	PROTEZIONE SOTTO BACINELLA 3GR WBAR	LOWER TRAY PROTECTION 3GR	PROTECTION INFERIEUR BASSINELLE 3GR	UNTEREN BECKEN-SCHUTZ 3GR
53	WY76096	BACINELLA 2GR INOX LUCIDO	2GR GLOSSY STAINLESS STEEL TRAY	BASSINELLE 2GR INOX BRILLANT	STAHLSCHALE 2GR
54	WY76097	BACINELLA 3GR INOX LUCIDO	3GR GLOSSY STAINLESS STEEL TRAY	BASSINELLE 3GR INOX BRILLANT	STAHLSCHALE 3GR
55	WY77693247	PROFILO BASAMENTO ANTERIORE 2GR WBAR INOX	BASE SURROUND 2GR S.STEEL	PROFIL BASE 2GR INOX	GRUNDPROFIL 2GR STAHL
56	WY77693248	PROFILO BASAMENTO ANTERIORE 3GR WBAR INOX	BASE SURROUND 3GR S.STEEL	PROFIL BASE 3GR INOX	GRUNDPROFIL 3GR STAHL
57	WY25939027	CHIUSURA PROTEZIONE GRUPPO NERO OPACO	BLACK MATT GROUP PROTECTION COVER	COUVERTURE NOIR MAT GROUP	MATTSCHWARZ GRUPPEN-SCHUTZABDECKUNG
58	WY25939032	PROTEZIONE GRUPPO ARANCIONE ANODIZZATO	ANODIZED ORANGE GROUP PROTECTION	PROTECTION DU GROUPE ORANGE ANODISÉ	GRUPPENSCHUTZ ANODISIERTA ORANGE
59	WY29089302	TARGHETTA AD."WEGA" NERA/ROSSA 82x30	ADHESIVE LABEL "WEGA" RED/BLACK 82x30	ETIQUETTE ADHESIVE "WEGA" ROUGE/NOIR 82x30	KLEBEETIKETT "WEGA" 82x30
60	WY77693240	SUPPORTO COPRICALDAIA INFERIORE 2GR WBAR	LOWER BOILER COVER SUPPORT 2GR	SUPPORT COUVRE CHAUDIERE INFERIEUR 2GR	UNTERE KESSELABDECKUNG UNTERSTÜTZUNG 2GR
61	WY77693241	SUPPORTO COPRICALDAIA INFERIORE 3GR WBAR	LOWER BOILER COVER SUPPORT 3GR	SUPPORT COUVRE CHAUDIERE INFERIEUR 3GR	UNTERE KESSELABDECKUNG UNTERSTÜTZUNG 3GR
62	WY77693207	COPRICALDAIA INFERIORE 2GR INOX/SB WBAR	S.STEEL LOWER BOILER COVER 2GR	COUVRE CHAUDIERE INFERIEUR INOX 2GR	UNTERER KESSELDECKEL STAHL 2GR
63	WY77693209	COPRICALDAIA INFERIORE 3GR INOX/SB WBAR	S.STEEL LOWER BOILER COVER 3GR	COUVRE CHAUDIERE INFERIEURE INOX 3GR	UNTERER KESSELDECKEL STAHL 3GR
64	WY76100340	GRIGLIA RIALZO TAZZE H.60	CUPS-STAND FOR RAISED GROUP H.60	GRILLE SUPERIEURE H.60	GITTER FUER HOHE GRUPPE H.60
65	WY77693283	SUPPORTO COPRICALDAIA INFERIORE 2GR GRIGLIE	LOWER BOILER COVER SUPPORT 2GR - GRID	SUPPORT COUVRE CHAUDIERE INFERIEUR 2GR - GRILLE	UNTERE KESSELABDECKUNG UNTERSTÜTZUNG 2GR - GITTER
66	WY77693281	SUPPORTO COPRICALDAIA INFERIORE 3GR GRIGLIE	LOWER BOILER COVER SUPPORT 3GR - GRID	SUPPORT COUVRE CHAUDIERE INFERIEUR 3GR - GRILLE	UNTERE KESSELABDECKUNG UNTERSTÜTZUNG 3GR - GITTER
67	WY77693284	COPRICALDAIA INFERIORE 2GR GRIGLIE	LOWER BOILER COVER 2GR - GRID	COUVRE CHAUDIERE INFERIEUR 2GR - GRILLE	UNTERER KESSELDECKEL STAHL 2GR - GITTER
68	WY77693282	COPRICALDAIA INFERIORE 3GR GRIGLIE	LOWER BOILER COVER 3GR - GRID	COUVRE CHAUDIERE INFERIEUR 3GR - GRILLE	UNTERER KESSELDECKEL STAHL 3GR - GITTER

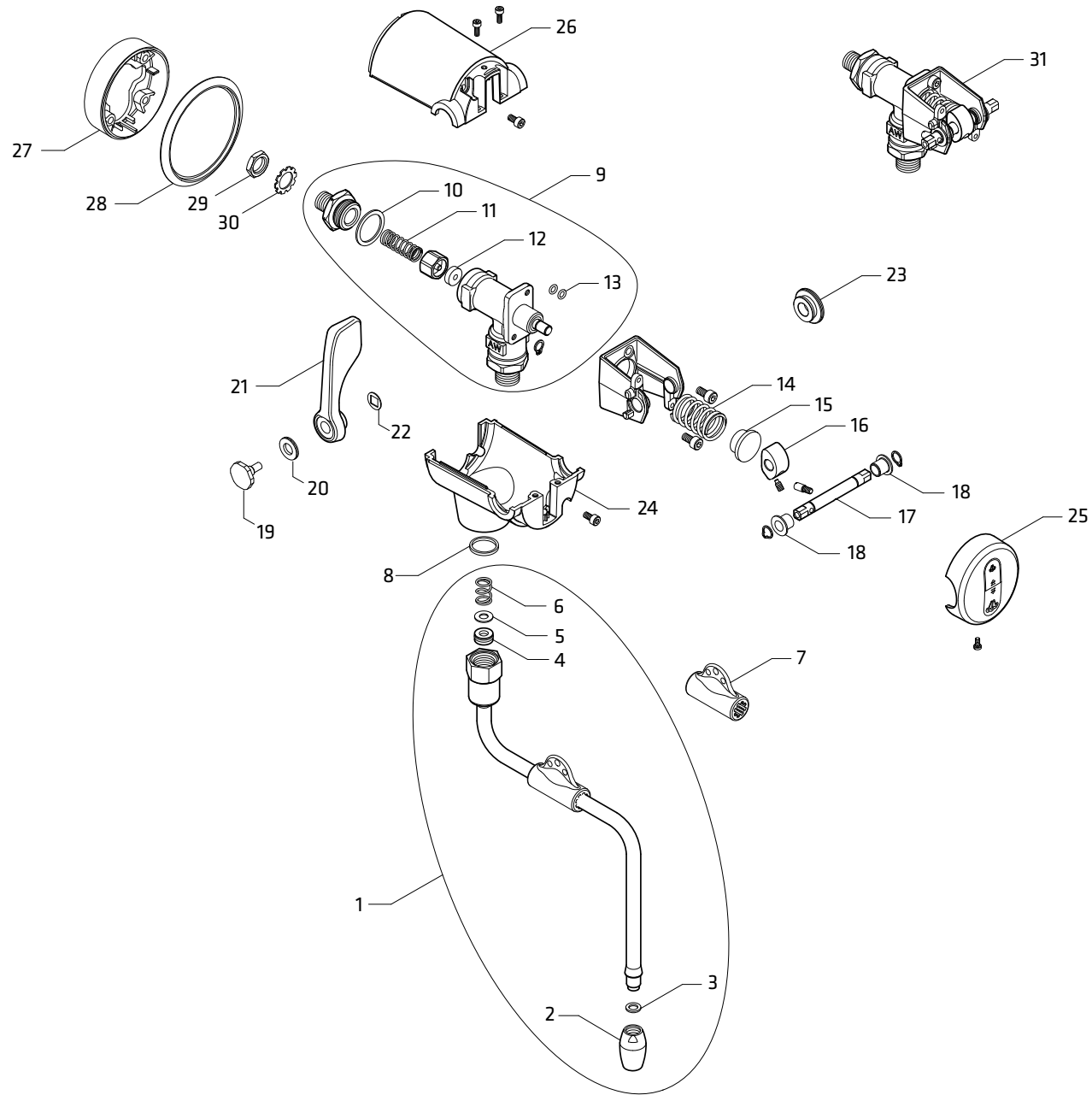
Pos.	Code	Food Denominazione - IT -	Denomination - GB -	Denomination - FR -	Beschreibung - DE -
69	WY25006008	PERNO BLOCCO GRIGLIA A RIBALTA	GRID LOCK PIN FLAP	PIVOT DE BLOC POUR GRILLE	TURANGEL FUR BLOCK-GITTER
70	WY25006007	ASS.BLOCCHETTO A SFERA SINISTRO	LEFT GRID BLOCK	BLOC DE GRILLE GAUCHE	LINKEN KUGELRASTUNG
71	WY25006006	ASS.BLOCCHETTO A SFERA DESTRO	RIGHT GRID BLOCK	BLOC DE GRILLE DROITE	RECHTS KUGELRASTUNG
72	WY76149107	GRIGLIA RIALZO TAZZE	CUPS-STAND FOR RAISED GROUP	GRILLE POUR GROUPES REHAISSES	GITTER FUER HOHE GRUPPE



Pos.	Code	Food Denominazione - IT -	Denomination - GB -	Denomination - FR -	Beschreibung - DE -
1	WY29377009	PIASTRINA TASTI SX SERIGRAFATA	SCREEN-PRINTED LEFT KEY PLATE	CLAVIER GAUCHE IMPRIMÉ	LINKSBILDSCHIRM-TASTATUR
2	WY29377007	PIASTRINA TASTI DX SERIGRAFATA NO SCALDATAZZE	SCREEN-PRINTED RIGHT KEY PLATE W/O CUP WARMER	CLAVIER DROITE IMPRIMÉ SANS CHAUFFE-TASSES	RECHTEBILDSCHIRM-TASTATUR OHNE TASSENWÄRMER
3	WY29377008	PIASTRINA TASTI DX SERIGRAFATA	SCREEN-PRINTED RIGHT KEY PLATE	CLAVIER DROITE IMPRIMÉ	RECHTEBILDSCHIRM-TASTATUR
4	WY29377013	PIASTRINA SERIGRAFATA -ACQUA- TASTO SX WBAR	SCREEN-PRINTED -WATER- LEFT KEY PLATE	CLAVIER GAUCHE IMPRIMÉ -EAU-	SIEBDRUCKPLATTE – WASSER – LINKE TASTE
5	WY29377014	PIASTRINA DX CIECA WBAR	BLIND RIGHT KEY PLATE	CLAVIER DROITE NEUTRE	NEUTRALE RECHTE PLATTE
6	WY29377012	PIASTRINA SERIGRAFATA -SCALDATAZZE- TASTO DX WBAR	SCREEN-PRINTED -CUP WARMER- RIGHT KEY PLATE	CLAVIER DROITE IMPRIMÉ -CHAUFFE TASSES-	SIEBDRUCKPLATTE – TASSENWÄRMER – RECHTE TASTE
7	WY18270007	PULSANTE ANTIVANDALO 5A 12V/250V BIANCO	VANDAL PROOF BUTTON WHITE	ANTI VANDALE BOUTON POUSSOIR BLANCHE	ANTI VANDAL TASTUR WEISS
8	WY18270008	INTERRUTTORE ANTIVANDALO 16A 12V/250V BIANCO	VANDAL PROOF SWITCH WHITE	ANTI VANDALE INTERRUPTEUR POUSSOIR BLANCHE	ANTI VANDAL SCHALTER WEISS
9	WY18371280	PULSANTIERA 5T WBAR	PUSH BUTTON 5K WBAR	CLAVIER 5B WBAR	BEDIENBLENDEN 5B WBAR
10	WY18371282	PULSANTIERA 5T WBAR AUTOSTEAMER	PUSH BUTTON 5K WBAR AUTOSTEAMER	CLAVIER 5B WBAR AUTOSTEAMER	BEDIENBLENDEN 5B WBAR AUTOSTEAMER
11	WY29169589	ETICHETTA ADESIVA PULSANTIERA WBAR	PUSH BUTTON ADHESIVE LABEL	ÉTIQUETTE ADHÉSIVE À BOUTON POUSSOIR	DRUCKTASTE DRUCKKENNZEICHNUNG

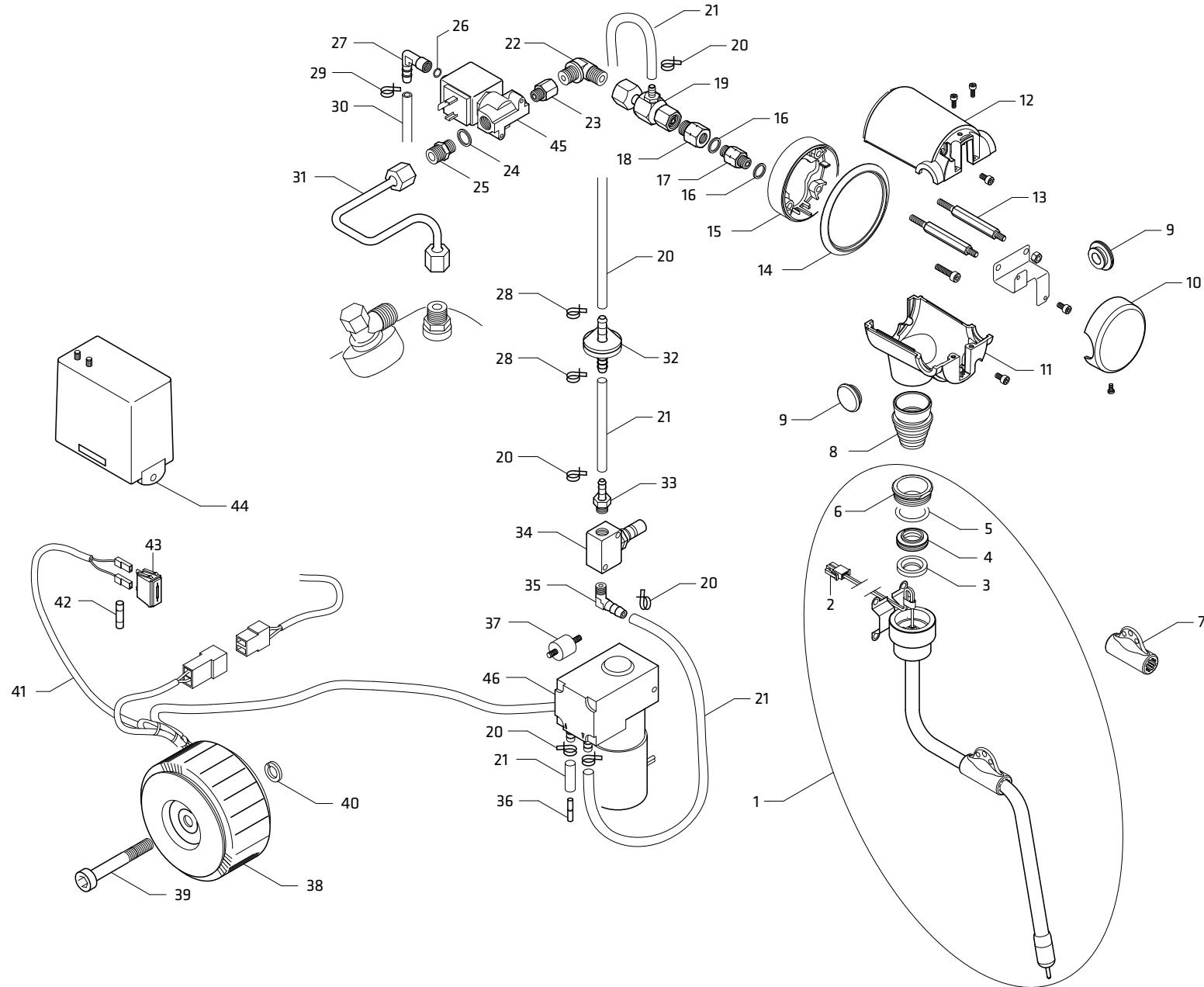


Pos.	Code	Food	Denominazione - IT -	Denomination - GB -	Denomination - FR -	Beschreibung - DE -
1	WY4725763365	●	LANCIA ACQUA FISSA INOX	WATER PIPE	TUYAU EAU	ROHR WASSER
2	WY4725763142	●	SPRUZZATORE ACQUA INOX	EXTERNAL WATER NOZZLE	ATOMISEUR D'EAU EXTERIEUR	WASSERDUSE CHROM DAMPF
3	WY12662010	●	GUARNIZIONE OR	GASKET OR	JOINT OR	DICHTUNG OR
4	WY15329027		DADO ESTETICO TUBO ACQUA	AESTHETIC NUT, WATER PIPE	ÉCROU ESTHÉTIQUE, TUYAU D'EAU	ÄSTHETISCHE MUTTER, WASSERROHR
5	WY4925736007	●	RACCORDO 3/8 CANNA H2O/VAPORE	CONNECTOR 3/8	RACCORD 3/8	ANSCHLUSS 3/8
6	WY25356		CONTRODADO OTTONE 3/8	BRASS LOCK NUT 3/8	CONTRE-ÉCROU LAITON 3/8	MESSING-GEGENMUTTER 3/8
7	WY12156003	●	GUARNIZIONE RAME 1/8 Sp.2	GASKET 1/8 Sp.2 COPPE	JOINT CUIVRE 1/8 Sp.	KUPFERDICHTUNG 1/8 Sp.
8	WY4923229232	●	ADATTATORE DI ORIENTAMENTO 1/8M	ORIENTATION ADAPTER 1/8M	ADAPTATEUR DE ORIENTATION 1/8M	ADAPTER-ORIENTIERUNG 1/8M
9	WY23229228	●	OGIVA PER TUBO D-8	WARHEAD D-8	OGIVE D-8	GEFECHTSKOPF D-8
10	WY23229229	●	DADO M12x1 TUBO D-8	NUT M12x1 FOR TUBE D-8	ECROU M12x1 POUR TUYAU D-8	MUTTER M12x1 FÜR ROHR D-8
11	WY4925686013	●	RACCORDO 1/8M - M12x1	CONNECTOR 1/8M - M12x1	RACCORD 1/8 - M12x1	ANSCHLUSS 1/8 - M12x1
12	WY25423002	●	DISTRIBUTORE	DISTRIBUTOR	DISTRIBUTEUR	VERTEILER
13	WY4925787	●	TAPPO MASCHIO 1/8	MALE CAP 1/8	BOUCHON MALE 1/8	STOPFEN 1/8
14	WY4925707	●	RACCORDO 1/8x1/4	CONNECTOR 1/8x1/4	RACCORD 1/8x1/4	ANSCHLUSS 1/8x1/4
15	WY4625330	●	BICONO D6	BICONE D6	BICONE D6	DOPPELKEGEL D6
16	WY25381		DADO 1/4 FORO 6.2	NUT 1/4 HOLE 6.2	ECROU 1/4 TROU 6.2	SCHRAUBENMUTTER 1/4 LOCH 6.2
17	WY4723228112	●	ADATTATORE DI ORIENTAMENTO 1/4M D-6 INOX	ORIENTATION ADAPTER	ADAPTATEUR DE ORIENTATION	ADAPTER-ORIENTIERUNG
18	WY12153003	●	GUARNIZIONE RAME 1/4 Sp.2	GASKET 1/4 Sp.2 COPPER	JOINT CUIVRE 1/4 Sp.2	KUPFERDICHTUNG 1/4 Sp.2
19	WY4618161980	●	ELETTRIVALVOLA 2V 1/4 D-4.8 230V/50	EL.VALVE 2V 1/4 D-4.8 230V/50	EL. 2V 1/4 D-4.8 230V/50	EL. 2V 1/4 D-4.8 230V/50
20	WY4925686	●	RACCORDO 1/4Mx1/4M	CONNECTOR 1/4Mx1/4M	RACCORD 1/4Mx1/4M	ANSCHLUSS 1/4Mx1/4M
21	WY4623229013	●	RACCORDO RAPIDO DRITTO 1/8M	QUICK COUPLING 1/8M D-4	RACCORD RAPIDE 1/8M D-4	STECKVERBINDUNG 1/8M D-4



VAPORE - STEAM - VAPEUR - DAMPF

Pos.	Code	Food	Denominazione - IT -	Denomination - GB -	Denomination - FR -	Beschreibung - DE -
1	WY4725763367	●	TUBO VAPORE INOX D10	STEAM PIPE D10	TUYAU VAPEUR D10	DAMPFROHRSATZ D10
2	WY25763074	●	SPRUZZATORE VAPORE INOX TUBO D.10 4 FORI	S.STEEL STEAM SPRAYER D.10 4 HOLES	PULVERISATEUR VAPEUR D.10 4 FORI	INNENSPRITZDUSE D.10 4 FORI
3	WY12662	●	GUARNIZIONE ALL.SPRUZZATORE VAP.INOX D.10	ALUM.SEAL FOR ST.STEEL STEAM	JOINT ALU GICLEUR VAP. INOX D.10	ALUMINIUMDICHT.DAMPFSTR.EDELSTAHL D.10
4	WY12661	●	GUARNIZIONE OR CON LUNETTA P.MOLLA 10 PZ	OR REST FOR ST.STEEL STEAM PIPE 10 PCS	OR LUNETTE P.PRESSORT TUYAU VAP. INOX 10 PCES	HALBE OR-DICHT.F.FEDER DAMPFROHR ED 10 ST
5	WY23260018	●	RONDELLA ELASTICA D-14,2 Sp.1	WASHER D-14,2	RONDELLE D-14,2	SCHEIBE D-14,2
6	WY10465001	●	MOLLA De 11,4 Df1,7 AISI 302	STEAM SPRING S.STEEL	RESSORT AISI	DAMPF HAHNFEDEN STAHL
7	WY15296015		ANTISCOTTATURA D-10	ANTI-BURNING CLIP D-10	ELEMENT ANTI-BRULURE D-10	GUMMI GEGEN VERBRENNUNGEN
8	WY12010005	●	GUARNIZIONE TEFLON 20x17x1,5	GASKET TEFLON 20x17x1,5	JOINT TEFLON 20x17x1,5	TEFLON DICHTUNG 320x17x1,5
9	WY4920233048	●	RUBINETTO A LEVA CW510LTEA	LEVER STEAM TAP	ROBINET LEVIER	WASSERHAHN HEBEL
10	WY12158003	●	GUARNIZIONE 27x21,5x1	GASKET 27x21,5x1	JOINT 27x21,5x1	DICHTUNG 27x21,5x1
11	WY10452056	●	MOLLA PISTONE RUBINETTO	TAP PISTON SPRING	RESSORT POUR PISTON DE ROBINET	FEDER FÜR DAMPFHAHN PISTON
12	WY27421008	●	GUARNIZIONE DI TENUTA	GASKET	JOINT	DICHTUNG
13	WY12300100		GUARNIZIONE OR 2015 1.78X3.69 EPDM	GASKET OR 2015 1.78X3.69 EPDM	JOINT OR 2015 1.78X3.69 EPDM	DICHTUNG OR 2015 1.78X3.69 EPDM
14	WY10452055		MOLLA RUBINETTO A LEVA	LEVER TAP SPRING	RESSORT DE ROBINET DE LEVIER	HEBEL DAMPFHAHN FEDER
15	WY15334009		PUNTALE ASTA RUBINETTO	CAP OF THE TAP SHAFT	BOUCHON ARBRE ROBINET	KAPPE DER HAHNWELLE
16	WY25939020		CAMMA RUBINETTO	CAM TAP	CAME ROBINET	DAMPFHAHN NOCKEN
17	WY25939022		ALBERO RUBINETTO A LEVA	LEVER TAP SHAFT	ARBRE ROBINET	WELLE HAHN
18	WY25501121		BOCCOLA IGUS J350FM-0810-10	BUSH J350FM-0810-10	DOUILLE J350FM-0810-10	BUCHSE J350FM-0810-10
19	WY23704507		VITE ESTETICA M5	SCREW M5	VIS M5	SCHRAUBE M5
20	WY23260026		RONDELLA NORD LOCK NL8 SPSS INOX	NL8 SPSS STAINLESS STEEL WASHER	RONDELLE NL8 SPSS INOX	NL8 SPSS EDELSTAHLSCHEIBE
21	WY25939025		LEVA RUBINETTO	TAP LEVER	LEVIER DE ROBINET	HEBEL DAMPHAHN
22	WY25939023		RONDELLA LEVA RUBINETTO	WASHER TAP HEBEL	RONDELLE TAP LEVER	SCHEIBE FÜR TAP-HEBEL
23	WY25939026		TAPPO LATERALE LEVA RUBINETTO	TAP LEVER SIDE CAP	BOUCHON LATÉRAL DU LEVIER	HEBELSEITENKAPPE
24	WY15029382		GUSCIO INFERIORE RUBINETTO A LEVA GRIGIO ANTRACITE 7043 OPACO	LOWER SHELL LEVER TAP	COQUE INFÉRIEURE ROBINET A LEVIER	UNTERER SCHALENHEBEL HAHN
25	WY15029361		TAPPO RUBINETTO LEVA SERIGRAFATO GRIGIO ANTRACITE 7043 OPACO	SCREEN-PRINTED TAP CAP	BOUCHON ROBINET IMPRIMÉ ÉCRAN	VERSCHLUSS HAHN
26	WY15029386		GUSCIO SUPERIORE RUBINETTO A LEVA GRIGIO ANTRACITE 7043 OPACO	TOP SHELL LEVER TAP	COQUE SUPÉRIEURE ROBINET A LEVIER	OBEREN SCHALENHEBEL HAHN
27	WY15029362		COPERTURA POSTERIORE RUBINETTO A LEVA	REAR COVER LEVER TAP	COUVERCLE ARRIÈRE ROBINET À LEVIER	HINTERE ABDECKUNG HEBEL TAP
28	WY15029360		ANELLO RECUPERO GIOCHI RUBINETTO A LEVA GRIGIO ANTRACITE OPACO RAL 7043	RING FOR LEVER TAP	ANNEAU POUR TAP DE LEVIER	RING FÜR HEBELTAP
29	WY25396		DADO 1/4 SP.4	NUT 1/4 - 4 THICK	ECROU 1/4 SP.4	MUTTER 1/4
30	WY23260006		RONDELLA DENTELLATA M14	SERRATED SAFETY WASHERS M14	RONDELLE DENTÉE M14	GEZACKTE EDELSTAHLSCHEIBE M14
31	WY4920233057	●	RUBINETTO A LEVA CW510LTEA	LEVER STEAM TAP	ROBINET LEVIER	WASSERHAHN HEBEL

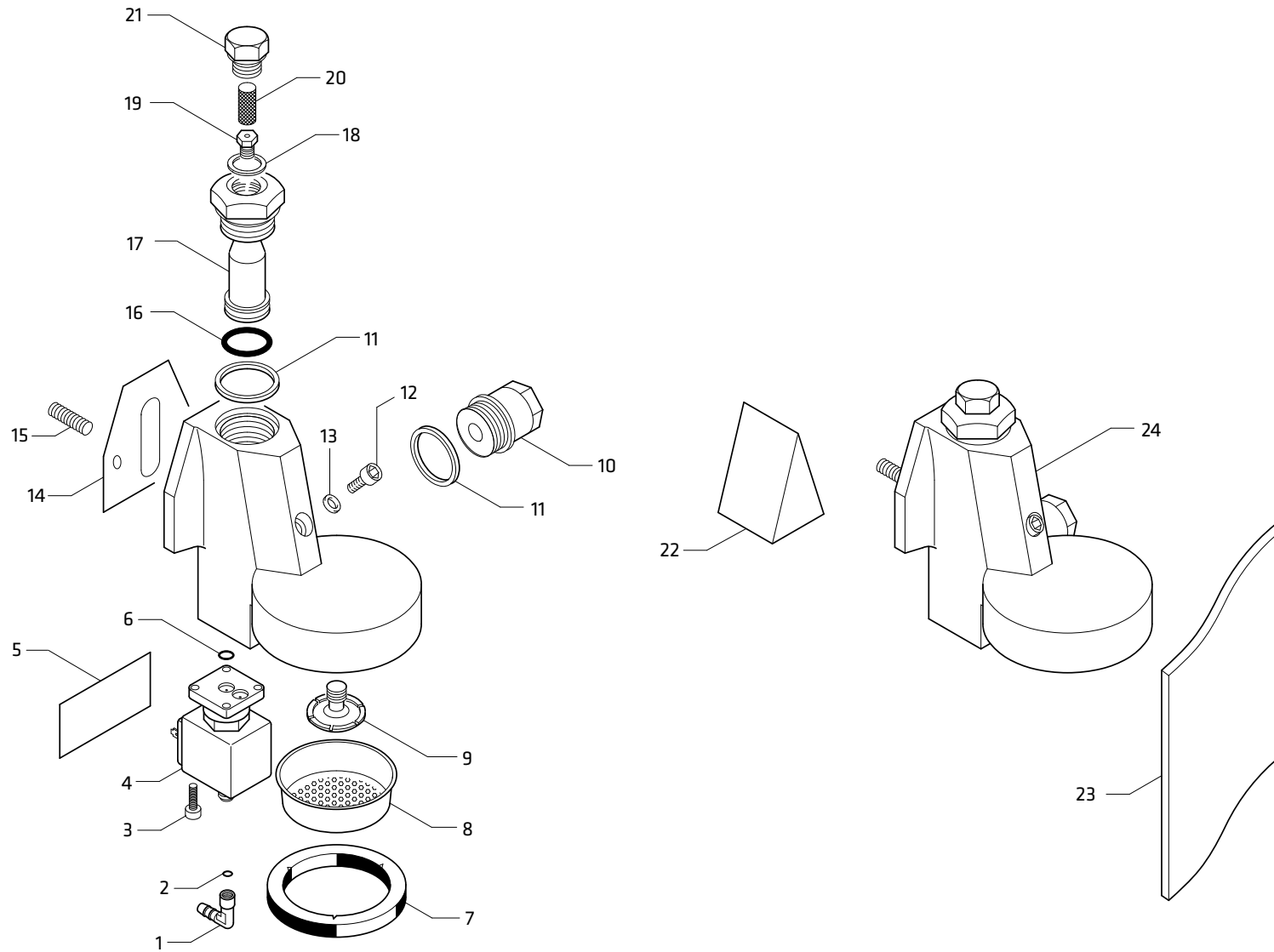


AUTOSTEAMER

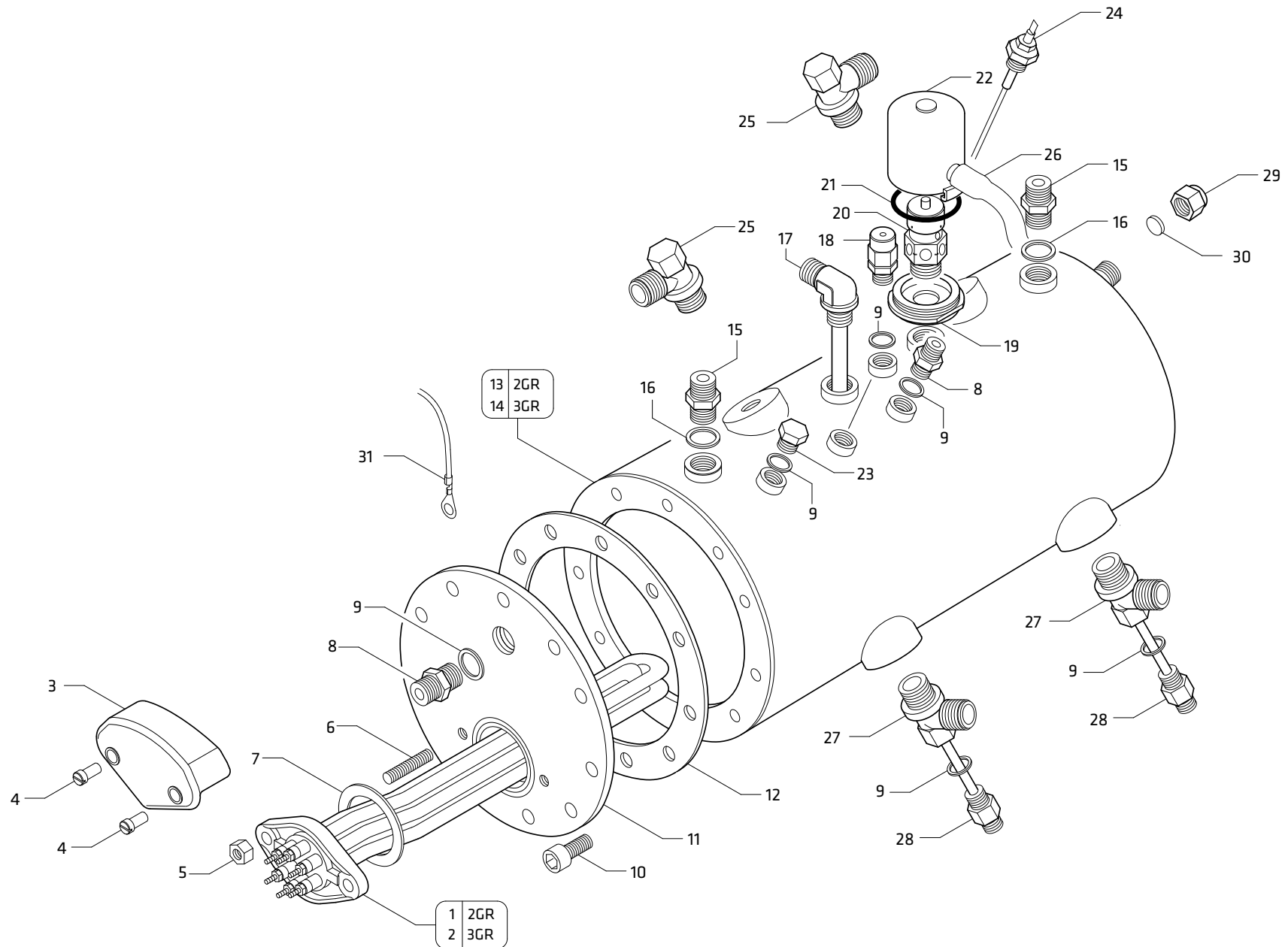
Pos.	Code	Food	Denominazione - IT -	Denomination - GB -	Denomination - FR -	Beschreibung - DE -
1	WY4725763243	●	LANCIA AUTOSTEAMER WBAR DX	RIGHT AUTOSTEAMER NOZZLE	TUYAU AUTOSTEAMER DROITE	RECHT AUTOSTEAMER
2	WY10761202		CONNETTORE MASCHIO BIANCO	WHITE MALE CONNECTOR	CONNECTEUR MÂLE BLANC	MÄNNLICHER STECKER
3	WY12661004	●	LUNETTA INFERIORE PTFE F1000	LOWER BEZEL	LUNETTE INFERIEURE	UNTERER BEZEL
4	WY12661003	●	LUNETTA SUPERIORE PTFE F1000 CON OR	UPPER BEZEL WITH O.RING	LUNETTE SUPÉRIEUR AVEC JOINT TORIQUE	OBERER BEZEL
5	WY12336003	●	GU OR 4075 18,64x3,53 EPDM 70	GASKET OR OR 4075 18,64x3,53 EPDM 70	JOINT OR 4075 18,64x3,53 EPDM 70	DICHTUNG OR 4075 18,64x3,53 EPDM 70
6	WY25763248		COPERCHIO PER SUPPORTO CW614N UNI EN12164	COVER FOR SUPPORT	COUVERTURE DE SUPPORT	ABDECKUNG FÜR UNTERSTÜTZUNG
7	WY15296015		ANTISCOTTATURA D-10	ANTI-BURNING CLIP D-10	ELEMENT ANTI-BRULURE D-10	GUMMI GEGEN VERBRENNUNGEN
8	WY15183078		SOFFIETTO AUTOSTEAMER	AUTOSTEAMER BELLOWS	SOUFFLET AUTOSTEAMER	AUTOSTEAMER BALG
9	WY25939026		TAPPO LATERALE LEVA RUBINETTO	TAP LEVER SIDE CAP	BOUCHON LATÉRAL DU LEVIER	HEBELSEITENKAPPE
10	WY15029400		TAPPO RUBINETTO A LEVA SENZA SCRITTE GRIGIO ANTRACITE 7043 OPACO	BOUCHON ROBINET GREY 7043	BOUCHON TAP GRIS 7043	VERSCHLUSS DAMPFHAHN
11	WY15029382		GUSCIO INFERIORE RUBINETTO A LEVA GRIGIO ANTRACITE 7043 OPACO	LOWER SHELL LEVER TAP	COQUE INFERIEURE ROBINET A LEVIER	UNTERER SCHALENHEBEL HAHN
12	WY15029386		GUSCIO SUPERIORE RUBINETTO A LEVA GRIGIO ANTRACITE 7043 OPACO	TOP SHELL LEVER TAP	COQUE SUPERIEURE ROBINET A LEVIER	OBEREN SCHALENHEBEL HAHN
13	WY25415003		DISTANZIALE M/M M5 L.50	SPACER M5 L.50	ENTRETOISE M5 L.50	DISTANZSTÜCK M5 L.50
14	WY15029360		ANELLO RECUPERO GIOCHI RUBINETTO A LEVA GRIGIO ANTRACITE OPACO RAL 7043	RING FOR LEVER TAP	ANNEAU POUR TAP DE LEVIER	RING FÜR HEBELTAP
15	WY15029362		COPERTURA POSTERIORE RUBINETTO A LEVA	REAR COVER LEVER TAP	COUVERCLE ARRIERE ROBINET A LEVIER	HINTERE ABDECKUNG HEBEL TAP
16	WY12156003	●	GUARNIZIONE RAME 1/8 Sp.2	GASKET 1/8 Sp.2 COPPE	JOINT CUIVRE 1/8 Sp.	KUPFERDICHTUNG 1/8 Sp.
17	WY4925736012	●	RACC -D- 1/8M-1/8M RUB CW510L/TEA	1/8M - 1/8M FITTING	RACCORD 1/8M - 1/8M	ANSCHLUSS 1/8M - 1/8M
18	WY4925733	●	RACCORDO 1/8F X 1/4 M	FITTING 1/8F x 1/4M	RACCORD 1/8F x 1/4M	ANSCHLUSS 1/8F x 1/4M
19	WY25763155	●	INTERFACCIA EV VAPORE-CORPO RUBINETTO INOX	INTERFACE STEAM SOLENOID VALVE-TAP BODY	INTERFACE ELECTROVANNE VAP.-CORPS ROBINET	SCHNITTSTELLE DAMPFVENTIL-HAHNKORPER
20	WY15056001		FASCETTA BIFILARE A MOLLA D.8,8-9,3	CLAMP D.8,8-9,3	COLLIER D.8,8-9,3	SCHELLE D.8,8-9,3
21	WY15477010	●	TUBO SILICONE 4x8 KG/Mt 0,045	SILICONE PIPE 4X8	TUBE EN SILICONE 4x8 0.045 Kg/Mt	SILIKONSCHLAUCH 4x8 KG/Mt 0,045
22	WY4943052002	●	RACCORDO GIREVOLE "L" 3/8	CONNECTOR "L" 3/8	RACCORD "L" 3/8	ANSCHLUSS "L" 3/8
23	WY4925705	●	RACCORDO 3/8Fx1/4M	CONNECTOR 3/8X1/4	RACCORD 3/8X1/4	FILTERFITTING 3/8X1/4
24	WY12153003	●	GUARNIZIONE RAME 1/4 Sp.2	GASKET 1/4 Sp.2 COPPER	JOINT CUIVRE 1/4 Sp.2	KUPFERDICHTUNG 1/4 Sp.2
25	WY4925716	●	RACCORDO 3/8x1/4	3/8x1/4 FITTING	RACCORD 3/8x1/4	ANSCHLUSS 3/8x1/4
26	WY12300017	●	GUARNIZIONE OR SILICONE	1045 SILICONE O RING	JOINT OR 1045 SILICONE	OR-DICHTUNG 1045 SILIKON
27	WY4823228023		RACCORDO L 1/8F + PORTAGOMMA D-8	ELBOW CONNECTOR 1/8F D-8	RACCORD COUVE 1/8F D-8	FITTING 1/8F D-8
28	WY15056001		FASCETTA BIFILARE A MOLLA D.8,8-9,3	CLAMP D.8,8-9,3	COLLIER D.8,8-9,3	SCHELLE D.8,8-9,3
29	WY15056003		FASCETTA BIFILARE A MOLLA D.11-11.6	SPRING CLAMP BI FILAR D11,00-11.6	COLLIER BIFILAIRE RESSORT D.11,00-11.6	SCHELLE D.11-11,6
30	WY15477014	●	TUBO SILICONE PLATINICO 7x11	SILICON TUBE 7x11	TUBE EN SILICONE 7x11	ROHR SILIKON 7x11
31	WY4952001297	●	TUBO D-8 L180	TUBE D-8 L180	TUYAU D-8 L180	ROHR D-8 L180
32	WY20358006		VALVOLA NON RITORNO IN PLASTICA	NON RETURN VALVE	SOUPAPE DE NON RETOUR	ABSPERRVENTIL
33	WY4925725	●	RACCORDO PORTAGOMMA 1/8	VALVE CONNECTOR 1/8	RACCORD 1/8 SOUPAPE	VENTILFITTING 1/8
34	WY30499		REGOLATORE ARIA	AIR REGULATOR	REGULATEUR DE AIRE	REGLER
35	WY4623216	●	RACCORDO GOM. 1/8M.CON+PORTAGOMMA D-6	CONICAL ELBOW CONNECTOR 1/8	RACCORD COUVE CONIQUE 1/8	KONISCHES FITTING 1/8

AUTOSTEAMER

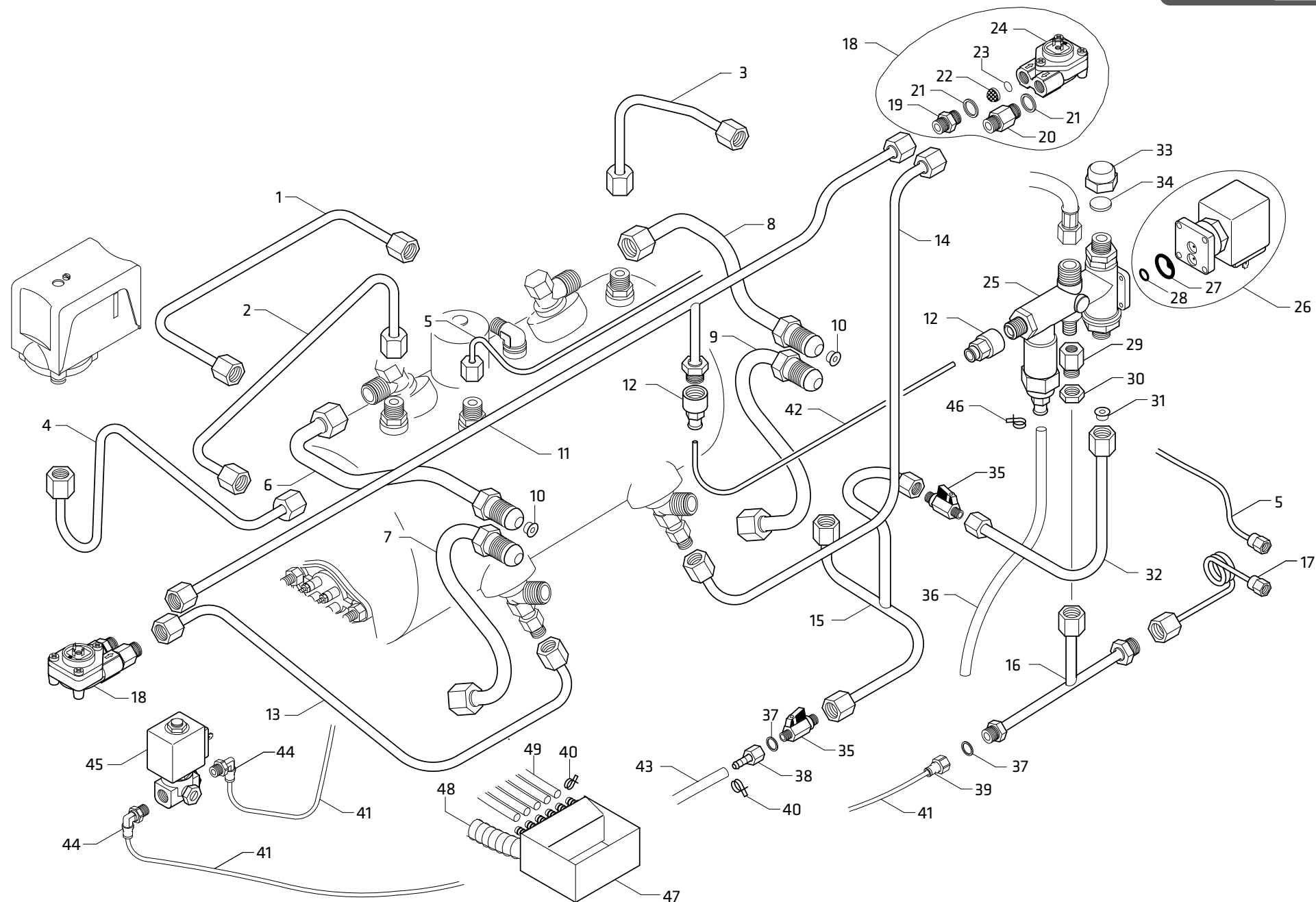
Pos.	Code	Food	Denominazione - IT -	Denomination - GB -	Denomination - FR -	Beschreibung - DE -
36	WY2550063	●	RACCORDO GIGLEUR AUTOSTEAMER D-0.2	JOINT GIGLEUR AUTOSTEAMER D-0.2	RACCORD GIGLEUR AUTOSTEAMER	GIGLEUR ANSCHLUSS FÜR AUTOSTEAMER D-0.2
37	WY15105		GOMMA AMMORTIZZATORE	RUBBER FOR MOTOR	CAOUTCHOUC POUR MOTEUR	GUMMI x MOTOR
38	WY18563006		TRASFORMATORE TOROIDALE 20VA 0-230V 24V	TRANSFORMATOR 20VA 0-230V 24V	TRANSFORMATOR 20VA 0-230V 24V	TRANSFORMATOR 20VA 0-230V 24V
39	WY23566		VITE TCEI INOX 5x35 UNI 5931 DIN912	STEEL SCREW TCEI 5x35 UNI 5931 DIN912	VIS INOX TCEI 5x35 UNI 5931 DIN912	STAHLSCHRAUBE TCEI 5x35 UNI 5931 DIN912
40	WY23272		RONDELLA INOX GROVER D5	STAINLESS WASHER GROVER D5	RONDELLE INOX GROVER D5	STAHLSCHEIBE GROVER D5
41	WY22716191		CABL PORTAFUSIBILE ATEAM CR6C	WIRING CARRYING FUSE AUTOSTEAMER	CABLE AUTOSTEAMER	KABEL AUTOSTEAMER
42	WY19105		FUSIBILE 5x20 T-1A UR/VDE	FUSE 5x20 T-1A	FUSIBLE 5x20 T-1A	SCHMELZSICHERUNG 5x20 T-1A
43	WY19123002		PORTAFUSIBILE F430 250V 10A UR/VDE	FUSE HOLDER 250V 10A UR	PORTE-FUSIBLE 250V 10A UR	SICHRUNGSHALTER 250V 10A UR
44	WY18080006		CENTRALINA DOPPIO CTR.POMP. INGRANAGGI	GEAR PUMP CONTROL	CENTRALE DE CONTROLE DE POMPE	PUMPE-STEUERGERAT
45	WY4618161979	●	ELETTROVALVOLA 3V 220-230V	SOLENOID VALVE 1/4-3,2 230V/50	ELECTROVANNE 1/4-3,2 230V	MAGNETVENTIL 1/4 D-3,2 230V
46	WY26319010		MICROPOMPA PMM 2509-NMP 830 KNDC 24VDC 2xFASTON FEM 6,3X0,8	MICROPUMP PMM 2509-NMP 830 KNDC 24VDC	POMPE MICRO PMM 2509-NMP 830 KNDC 24VDC	MIKROPUMPE PMM 2509-NMP 830 KNDC 24VDC



Pos.	Code	Food	Denominazione - IT -	Denomination - GB -	Denomination - FR -	Beschreibung - DE -
1	WY4823228023		RACCORDO L 1/8F + PORTAGOMMA D-8	ELBOW CONNECTOR 1/8F D-8	RACCORD COUVE 1/8F D-8	FITTING 1/8F D-8
2	WY12300017	●	GUARNIZIONE OR SILICONE	1045 SILICONE O RING	JOINT OR 1045 SILICONE	OR-DICHTUNG 1045 SILIKON
3	WY23551		VITE TCEI INOX 4x12	STEEL SCREW TCCE 4x12	VIS INOX TCCE 4x12	STAHLSCHRAUBE TCCE 4x12
4	WY4618160003	●	ELETTRORVALVOLA 230V 50Hz UL CW510L	SOLENOID VALVE SIR.220-230V/50	ELECTROVANNE GROUPE 230/50	GRUPPENMAGNETVENTIL 230/50
5	WY29070104		ETICHETTA ADESIVA ARGENTO LUCIDO	LABEL	ETIQUETTE	ETIKETTE
6	WY12305	●	GUARNIZIONE OR	O RING	JOINT OR	O-RINGDICHT
7	WY12227	●	GUARNIZIONE SOTTOCOPPA 73,5x57,5x8 10 PZ	GROUP UNDERCUP SEAL 73,5x57,5x8 10 PCS	JOINT SOUCOUPPE 73,5X57,5X8 10 PCES	FILTERGRIFFDICHTUNG 73,5x57,5x8 10 ST
8	WY27104	●	DOCETTA GRUPPO INOX CF 10 PZ	S.STEEL GROUP SHOWER 10 PCS	DOUCHETTE GROUPE INOX 10 PCES	DUSCHE VERTEILEREINHEIT 10 ST
9	WY4927105	●	DIFFUSORE GRUPPO W555 CW510L	Diffuser plate-Wega	DIFFUSEUR GROUPE	DIFFUSOR VERTEILEREINHEIT
10	WY4927120	●	TAPPO GRUPPO CW510L	DISTRIBUTION GROUP CAP CW510L	BOUCHON GROUPE DEBIT CW510L	STOPFEN DER ABGABEGRUPPE CW510L
11	WY12023	●	GUARNIZIONE TEFLON	TEFLON GASKET	JOINT TEFLON	TEFLON DICHTUNG
12	WY23558		VITE TCEI INOX M6x8	STEEL SCREW TCCE 6x8	VIS INOX TCCE 6x8	STAHLSCHRAUBE TCCE 6x8
13	WY12103	●	GUARNIZIONE RAME	CU GASKET	JOINT CU DE	CU DICHTUNG
14	WY12026		GUARNIZIONE FASIT FLANGIA GRUPPO	GROUP GASKET	JOINT GROUPE	DICHTUNG GRUPPE
15	WY10405004		GRANO EI M8x25 PUNTA PIANA INOX	GRUB SCREW M8x25 STEEL	GRAIN M8X25 POINTE PLETE INOX	STAHLGEWINDESTIFT M8X25 FLACHSPITZE
16	WY12024	●	GUARNIZIONE OR VITON	VITON O RING GASKET	JOINT OR	OR DICHTUNG
17	WY4927119	●	FUNGO GRUPPO CW510L	DISTRIBUTION GROUP CW510L	FONGUS GROUPE DEBIT CW510L	AUSGABEGRUPPE FUNGUS CW510L
18	WY12025	●	GUARNIZIONE TEFLON	TEFLON GASKET	JOINT TEFLON	TEFLON DICHTUNG
19	WY4910300C	●	GIGLER OTTONE D-0.7	BRASS JET D-0.7	GICLEUR LAITON D-0.7	GIGLEUR MESSING D-0.7
20	WY10253	●	FILTRO GIGLER	JET FILTER	FILTRE GICLEUR	DUSE FILTER
21	WY4927118	●	TAPPO GIGLER CW510L	JET CAP	BOUCHON GICLEUR	STOPFEN DUSE
22	WY15183076		ISOLANTE TERMICO MELANINA TAMPONAMENTO COPRIGRUPPO	THERMAL INSULATING GROUP COVER	ISOLATION THERMIQUE GROUPE	THERMISCHE ISOLIERENDE GRUPPE
23	WY15183075		ISOLANTE TERMICO MELANINA COPRIGRUPPO	THERMAL INSULATING GROUP COVER	ISOLATION THERMIQUE GROUPE	THERMISCHE ISOLIERENDE GRUPPE
24	WY4926102010	●	GRUPPO EROGAZIONE	DISTRIBUTION GROU	GROUPE DEBI	AUGABEGRUPP



Pos.	Code	Food	Denominazione - IT -	Denomination - GB -	Denomination - FR -	Beschreibung - DE -
1	WY4617059	●	RESISTENZA 2GR 6P 230/240V 3400/3700W	HEATING ELEM. 2GR 220/240V 3400/3700W	RESISTANCE 2GR 220/240V 3400/3700W	HEIZKORPER 2GR 220/240V 3400/3700W
2	WY4617107	●	RESISTENZA 3GR 6P 230/240V 5000/5440W	HEATING ELEM. 3GR 220/240V 5000/5440	RESISTANCE 3GR 220/240V 5000/5440W	HEIZKORPER 3GR 220/240V 5000/5440W
3	WY15514111		PROTEZIONE RESISTENZA	HEATING ELEMENT COVER	COUVRE-RESISTENCE	HEIZKORPERDECKEL
4	WY15514113		BOCCOLA BLOCCAGGIO PROTEZIONE	BUSHING	BAGUE	BUSHING
5	WY23049		DADO OTTONE M8	BRASS NUT M8	ECROU LAITON M8	MESSING-SCHRAUBENMUTTER M8
6	WY23133		PRIGIONIERO INOX 8x40	STAINLESS STEEL BOLT 8x40	VIS INOX 8x40	STAHLSCHRAUBE 8x40 8x40
7	WY12001	●	GUARNIZIONE TEFLON 58x43x2 10 PZ	TEFLON GASKET 58x43x2 10 PCS	JOINT TEFLON 58x43x2 10 PCES	TEFLON DICHTUNG 58x23x2 10 ST
8	WY4925686	●	RACCORDO 1/4Mx1/4M	CONNECTOR 1/4Mx1/4M	RACCORD 1/4Mx1/4M	ANSCHLUSS 1/4Mx1/4M
9	WY12153003	●	GUARNIZIONE RAME 1/4 Sp.2	GASKET 1/4 Sp.2 COPPER	JOINT CUIVRE 1/4 Sp.2	KUPFERDICHTUNG 1/4 Sp.2
10	WY23556		VITE TCEI INOX 10x20	STEEL SCREW TCCE 10X20	VIS INOX TCCE 10X20	STAHLSCHRAUBE TCCE 10x20
11	WY4853011	●	FLANGIA	FLANGE	BRIDE	FLANSCH
12	WY12003	●	GUARNIZIONE CALDAIA	BOILER GASKET	JOINT CHAUDIERE	KESSELDICHTUNG
13	WY4962204001B	●	CALDAIA 2GR WEGA SCB D60/CW510L RUV-T(B)	BOILER 2GR	CHAUDIERE 2GR	KESSEL 2GR
14	WY4962281001B	●	CALDAIA 3GR WEGA SCB D60/CW510L RUV-T(B)	BOLIER 3GR	CHAUDIERE 3GR	KESSEL 3GR
15	WY4925687	●	RACCORDO 3/8x3/8	3/8x3/8 FITTING	RACCORD 3/8x3/8	ANSCHLUSS 3/8x3/8
16	WY12154001	●	GUARNIZIONE CU 3/8 22x17x2	GASKET COPPER 3/8 22x17x2	JOINT CUIVRE 3/8 22x17x2	KUPFERDICHTUNG 3/8 22x17x2
17	WY4952001285	●	TUBO D-10 L.125	TUBE D-10 L.125	TUYAU D-10 L.125	ROHR D-10 L.125
18	WY4756150101	●	VALVOLA ANTIRISUCCHIO V.A.R.	ANTI-EDDY VALVE V.A.R.	SOUPAPE ANTI-DEPRESSION V.A.R.	ANSAUGSCHUTZVENTIL V.A.R.
19	WY15006001		FLANGIA VALVOLA SICUREZZA	FLANGE VALVE	JOINT VANNE	FLANSCH VENTIL
20	WY4620352002	●	VALVOLA DI SICUREZZA *CE*	*CE* SAFETY VALVE	SOUPAPE DE SECURITE *CE*	SICHERHEITSVENTIL *CE*
21	WY12300000	●	GUARNIZIONE OR	GASKET O RING	JOINT OR	OR DICHTUNG
22	WY56009980		ASSIEME PROTEZIONE VALVOLE SICUREZZA	UNIT PROTECTION VALVE	ENSEMBLE PROTECTION VANNE	SATZ-SCHUTZGITTER VENTIL
23	WY4925780	●	TAPPO MASCHIO OTTONE 1/4	BRASS MALE CAP 1/4	BOUCHON MALE LAITON 1/4	MESSING-STOPFEN 1/4
24	WY4620251	●	SONDA LIVELLO	LEVEL PROBE	JAUG	PEGELFUHLER
25	WY4923214001	●	RACCORDO ORIENTABILE -L- 1/2	ROTARY COUPLING -L- 1/2	RACCORD ROTATIF	ROTARY KUPPLUNG
26	WY15478002		TUBO SILICONE 8x11 L.70cm	SILICONE TUBE 8x11 L.70cm	TUYAU SILICONE 8x11 L.70cm	SILIKONROHR 8x11 L.70cm
27	WY4923215001	●	RACCORDO ORIENTABILE -T- 1/2	ROTARY COUPLING -T- 1/2	RACCORD ROTATIF	ROTARY KUPPLUNG
28	WY4952002788	●	TUBO D-6 L.85	TUBE D-6 L.85	TUYAU D-6 L.85	ROHR D-6 L.85
29	WY25781	●	TAPPO FEMMINA 3/8	FEMALE CAP 3/8	BOUCHON FEMELLE 3/8	STOPFEN 3/8
30	WY12402002	●	GUARNIZIONE RAME PASTICCA 15X3	GASKET COPPER 15X3	JOINT CUIVRE 15X3	KUPFERDICHTUNG 15X3
31	WY22051003		CAVO MESSA A TERRA L.400	WIRING L.400	CABLE L.400	VERDRAHTUNG L.400

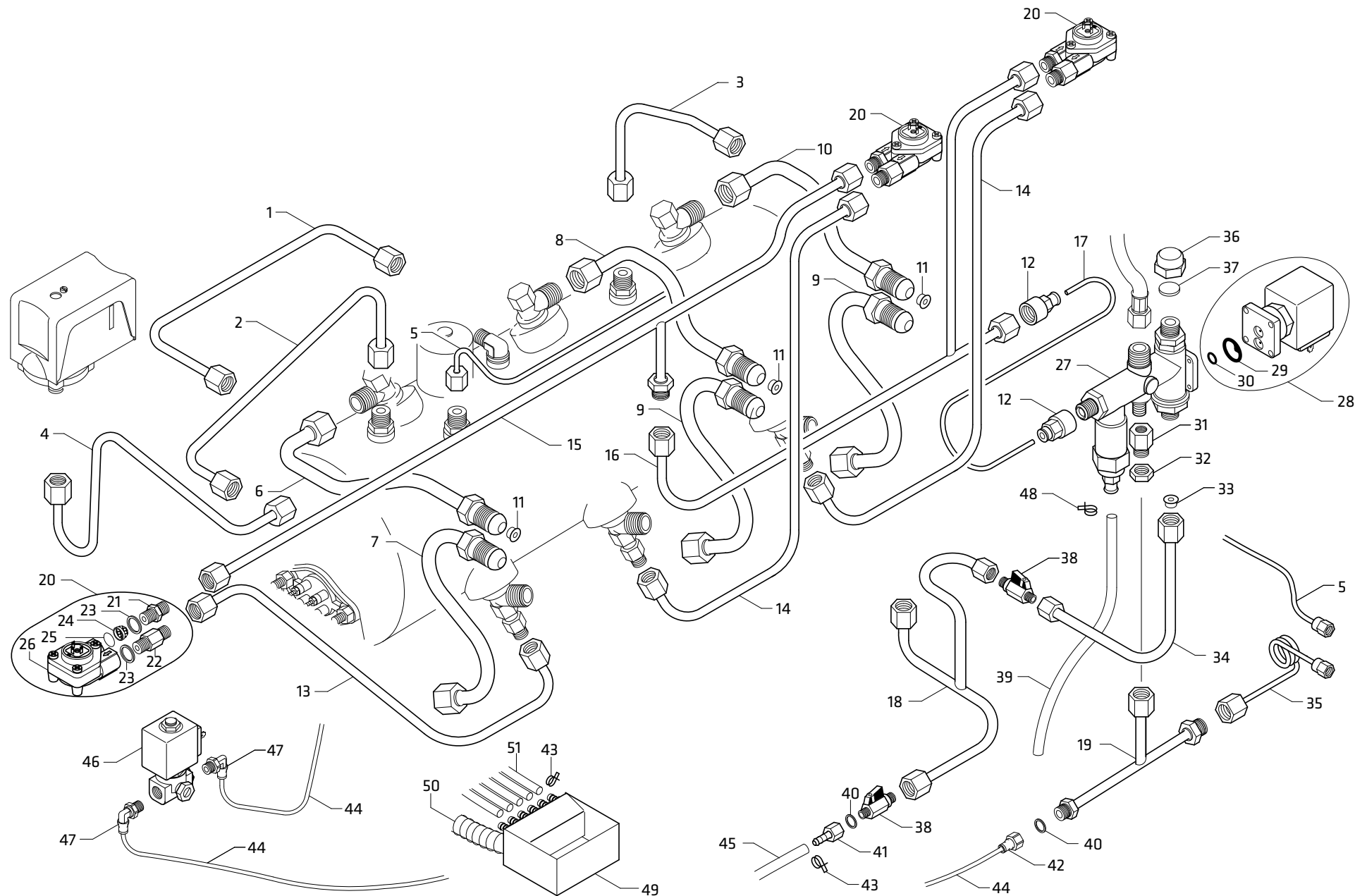


EVD/2

Pos.	Code	Food	Denominazione - IT -	Denomination - GB -	Denomination - FR -	Beschreibung - DE -
1	WY4952001272	●	TUBO D8 L360	TUBE D8 L360	TUYAU D8 L360	ROHR D8 L360
2	WY4952001265		TUBO D8 L270	TUBE D8 L270	TUYAU D8 L270	ROHR D8 L270
3	WY4952001264		TUBO D8 L215	TUBE D8 L215	TUYAU D8 L215	ROHR D8 L215
4	WY4952001266	●	TUBO D-6 L350 TB317	TUBE D-6 L350	TUYAU D-6 L350	ROHR D-6 L350
5	WY4952001437	●	TUBO D-4 L.435	TUBE D-4 L.435	TUYAU D-4 L.435	ROHR D-4 L.435
6	WY4952001249	●	TUBO D-10 L315	TUBE D-10 L315	TUYAU D-10 L315	ROHR D-10 L315
7	WY4952001232	●	TUBO D10 L250 TB299	TUBE D10 L250	TUYAU D10 L250	ROHR D10 L250
8	WY4952001250	●	TUBO D10 L355	TUBE D10 L355	TUYAU D10 L355	ROHR D10 L355
9	WY4952001248	●	TUBO D10 L267 TB300	TUBE D10 L267	TUYAU D10 L267	ROHR D10 L267
10	WY4923293001	●	STROZZATURA RICIRCOLO GR D 4	REDUCED CONNECTOR OF GROUP D4	RACCORD REDUIT DU GROUPE D4	VERKLEINERTE FITTING DER GRUPPE D4
10	WY4923293002	●	STROZZATURA RICIRCOLO GR D 2.5	RESTRICOR D2.5	RACCORD REDUIT DU GROUPE D2.5	VERKLEINERTE FITTING DER GRUPPE D2.5
11	WY4652001381	●	TBS D6 L285 TB357	TUBE D6 L285	TUYAU D6 L285	ROHR D6 L285
12	WY4623229020	●	RACCORDO RAPIDO DRITTO 1/4F D-6	QUICK COUPLING 1/4F D-6	RACCORD RAPIDE 1/4F D-6	STECKVERBINDUNG 1/4F D-6
13	WY4652001271	●	TUBO D6 L510	TUBE D6 L510	TUYAU D6 L510	ROHR D6 L510
14	WY4652001270	●	TUBO D6 L450	TUBE D6 L450	TUYAU D6 L450	ROHR D6 L450
15	WY4652001268	●	TUBO D8 L350	TUBE D8 L350	TUYAU D8 L350	ROHR D8 L350
16	WY4652001273	●	TUBO D8 L199	TUBE D8 L199	TUYAU D8 L199	ROHR D8 L199
17	WY4652003057	●	TUBO D-2 L.1000	TUBE D-2 L.1000	TUYAU D-2 L.1000	ROHR D-2 L.1000
18	WY4956122060	●	ASSIEME DOSATORE	DOSER KIT	KIT DOSEUR	DOSIERER
19	WY4925686	●	RACCORDO 1/4Mx1/4M	CONNECTOR 1/4Mx1/4M	RACCORD 1/4Mx1/4M	ANSCHLUSS 1/4Mx1/4M
20	WY4925708	●	RACCORDO 1/4x1/4	1/4X1/4 CW510L fitting	RACCORD 1/4X1/4	ANSCHLUSS 1/4X1/4
21	WY12153003	●	GUARNIZIONE RAME 1/4 Sp.2	GASKET 1/4 Sp.2 COPPER	JOINT CUIVRE 1/4 Sp.2	KUPFERDICHTUNG 1/4 Sp.2
22	WY10254	●	FILTRO ACCIAIO 160-200 MESH	STEEL FILTER 160-200 MESH	FILTRE EN ACIER 160-200 MESH	STAHLFILTER 160-200 MESH
23	WY12329	●	GUARNIZIONE OR HNBR 7.66xW1.78	GASKET OR HNBR 7.66xW1.78	JOINT OR HNBR 7.66x1.78	OR DICHTUNG HNBR 7.66xW1.78
24	WY4918126010	●	DOSATORE FLOWMETER	FLOWMETER DOSER	KIT DOSEUR	DOSIERER
25	WY4661016003	●	DISTRIBUTORE CARICO ACQUA	WATER DISTRIBUTION BLOCK	DISTRIBUTEUR EAU	WASSER VERTEILER
26	WY4918159003	●	ELETTROVALVOLA AEA IN BASE 220/240V 50-60Hz	SOLENOID VALVE 220/240V 50-60Hz	ELECTROVANNE 220/240V 50-60Hz	ELEKTROVENTIL 220/240V 50-60Hz
27	WY12299001	●	GUARNIZIONE VERDE A GOCCIA	GASKET	JOINT	DICHTUNG
28	WY12299002	●	GUARNIZIONE ROSSA PICCOLA	RED GASKET	JOINT ROUGE	DICHTUNG ROT
29	WY4925743001	●	RIDUZIONE 1/4Mx1/8F	REDUCTIE 1/4Mx1/8F	REDUCTION 1/4Mx1/8F	REDUKTION 1/4Mx1/8F
30	WY25396		DADO 1/4 SP.4	NUT 1/4 - 4 THICK	ECROU 1/4 SP.4	MUTTER 1/4
31	WY4923293012	●	STROZZATURA D-1.2	NECK D-1.2	ETRANGLEMENT D-1.2	UMWALZUNG D-1.2
32	WY4652001267	●	TUBO D8 L120	TUBE D8 L120	TUYAU D8 L120	ROHR D8 L120
33	WY25781	●	TAPPO FEMMINA 3/8	FEMALE CAP 3/8	BOUCHON FEMELLE 3/8	STOPFEN 3/8
34	WY12402002	●	GUARNIZIONE RAME PASTICCA 15X3	GASKET COPPER 15X3	JOINT CUIVRE 15X3	KUPFERDICHTUNG 15X3

EVD/2

Pos.	Code	Food	Denominazione - IT -	Denomination - GB -	Denomination - FR -	Beschreibung - DE -
35	WY4620354001	●	VALVOLA CHIUSURA L.40	TAP L.40	CLAPET FERMETURE EAU	ABSPERRVENTIL WASSERZUFUHR L.40
36	WY15452136	●	TUBO SILICONE D-7x11 L.300	TUBE SILICONE D-7x11 L.300	TUYAU SILICONE D-7x11 L.300	SILIKONROHR D7x11 L.300
37	WY12153003	●	GUARNIZIONE RAME 1/4 Sp.2	GASKET 1/4 Sp.2 COPPER	JOINT CUIVRE 1/4 Sp.2	KUPFERDICHTUNG 1/4 Sp.2
38	WY4823228025		RACC.DRITTO 1/4F +PORTAGOMMA D-8 OT/Ni	HOSE CONNECTION 1/4F D-8	PORTE-CAOUTCHOU 1/4F D-8	SCHLAUCHANSCHLUSS 1/4F D-8
39	WY4623229019	●	RACCORDO RAPIDO DRITTO 1/4F D-4	QUICK COUPLING 1/4F D-4	RACCORD RAPIDE 1/4F D-4	STECKVERBINDUNG 1/4F D-4
40	WY15056003		FASCETTA BIFILARE A MOLLA D.11-11.6	SPRING CLAMP BI FILAR D11,00-11.6	COLLIER BIFILAIRE RESSORT D.11,00-11.6	SHELLE D.11-11,6
41	WY15452001	●	TUBO D-2,5x4 FEP	TUBE D-2,5x4 FEP	TUYAU D 2,5X24 FEP	ROHR D 2,5x4 FEP
42	WY15452002	●	TUBO D-4x6	TUBE D-4x6	TUYAU D-4x6	ROHR D-4x6
43	WY15452164	●	TUBO SILICONE D-7x11 L.180	Tube silicone D-7x11 L.180	TUYAU SILICONE D-7x11 L.180	SILIKONROHR D7x11 L.180
44	WY4623229111	●	RACCORDO RAPIDO -L- 1/8M	QUICK COUPLING -L- 1/8M	RACCORD RAPIDE -L- 1/8M	STECKVERBINDUNG -L- 1/8M
45	WY4918161701	●	ELETTROVALVOLA REGOLAZ.PORTATA 220-240V/50-60Hz	SOL.VALVE 220-240V/50-60Hz	ELECTROVANNE 220-240V/50-60Hz	MAGNETVENTIL 220-240V/50-60Hz
46	WY15056004		FASCETTA BIFILARE A MOLLA D.12.1-13.1	SPRING CLAMP BI FILAR D12,10-13.1	COLLIER BIFILAIRE RESSORT D.11,10-13.1	SHELLE D. 12,1-13,1
47	WY15502010		VASCHETTA SCARICO BACINELLA	DRAIN BASIN	CUVE A VIDANGER	ABFLUSSCHALE
48	WY15469001		TUBO CORRUGATO D.19 L.2000	CORRUGATED TUBE D.19 L.2000	TUYAU ONDULE D.19 L.2000	WELLPAPPE TUBE D.19 L.2000
49	WY15477014	●	TUBO SILICONE PLATINICO 7x11	SILICON TUBE 7x11	TUBE EN SILICONE 7x11	ROHR SILIKON 7x11

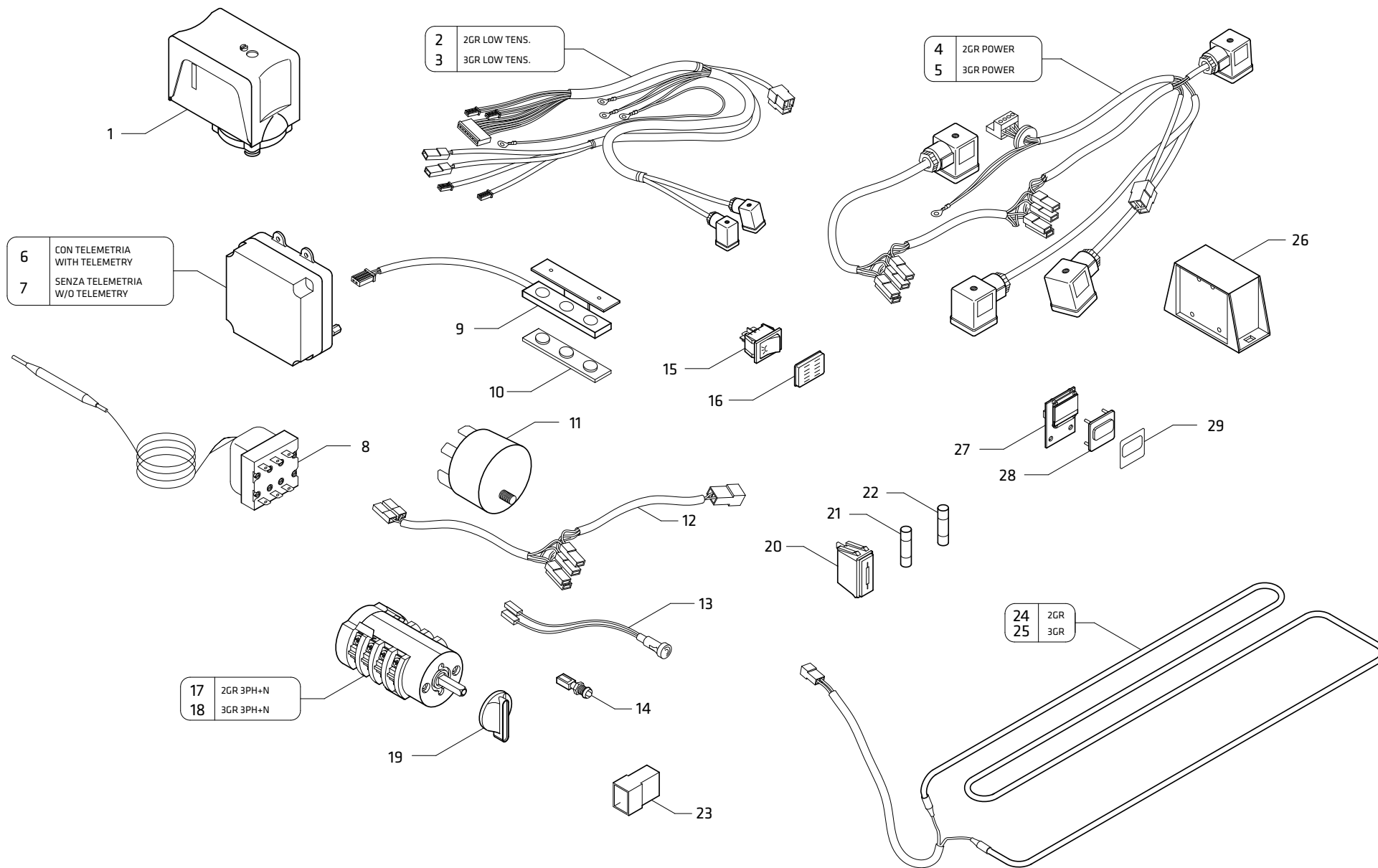


EVD/3

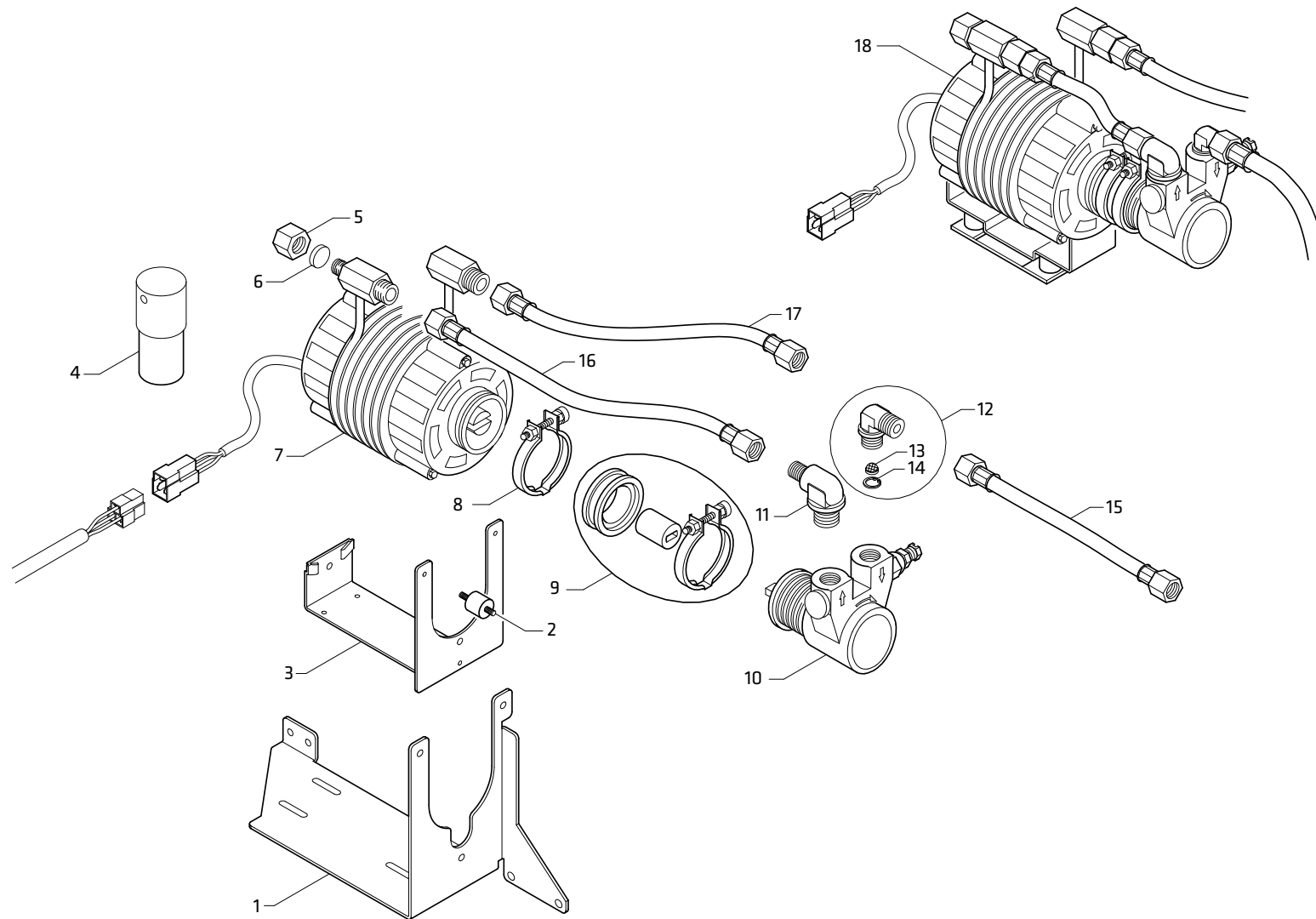
Pos.	Code	Food	Denominazione - IT -	Denomination - GB -	Denomination - FR -	Beschreibung - DE -
1	WY4952001272	●	TUBO D8 L360	TUBE D8 L360	TUYAU D8 L360	ROHR D8 L360
2	WY4952001265		TUBO D8 L270	TUBE D8 L270	TUYAU D8 L270	ROHR D8 L270
3	WY4952001264		TUBO D8 L215	TUBE D8 L215	TUYAU D8 L215	ROHR D8 L215
4	WY4952001266	●	TUBO D-6 L350 TB317	TUBE D-6 L350	TUYAU D-6 L350	ROHR D-6 L350
5	WY4952001437	●	TUBO D-4 L.435	TUBE D-4 L.435	TUYAU D-4 L.435	ROHR D-4 L.435
6	WY4952001249	●	TUBO D-10 L315	TUBE D-10 L315	TUYAU D-10 L315	ROHR D-10 L315
7	WY4952001232	●	TUBO D10 L250 TB299	TUBE D10 L250	TUYAU D10 L250	ROHR D10 L250
8	WY4952001294	●	TBS D10 L350 TB345	TUBE D10 L350 TB345	TUYAU D10 L350 TB345	ROHR D10 L350 TB345
9	WY4952001248	●	TUBO D10 L267 TB300	TUBE D10 L267	TUYAU D10 L267	ROHR D10 L267
10	WY4952001274	●	TBS D10 L360	TUBE D10 L360	TUYAU D10 L360	ROHR D10 L360
11	WY4923293001	●	STROZZATURA RICIRCOLO GR D 4	REDUCED CONNECTOR OF GROUP D4	RACCORD REDUIT DU GROUPE D4	VERKLEINERTE FITTING DER GRUPPE D4
11	WY4923293002	●	STROZZATURA RICIRCOLO GR D 2.5	RESTRICOR D2.5	RACCORD REDUIT DU GROUPE D2.5	VERKLEINERTE FITTING DER GRUPPE D2.5
12	WY4623229020	●	RACCORDO RAPIDO DRITTO 1/4F D-6	QUICK COUPLING 1/4F D-6	RACCORD RAPIDE 1/4F D-6	STECKVERBINDUNG 1/4F D-6
13	WY4652001271	●	TUBO D6 L510	TUBE D6 L510	TUYAU D6 L510	ROHR D6 L510
14	WY4652001270	●	TUBO D6 L450	TUBE D6 L450	TUYAU D6 L450	ROHR D6 L450
15	WY4652001381	●	TBS D6 L285 TB357	TUBE D6 L285 TB357	TUYAU D6 L285 TB357	ROHR D6 L285 TB357
16	WY4652001382	●	TBS D6 L535 TB358	TUBE D6 L535 TB358	TUYAU D6 L535 TB358	ROHR D6 L535 TB358
17	WY15452002	●	TUBO D-4x6	TUBE D-4x6	TUYAU D-4x6	ROHR D-4x6
18	WY4652001268	●	TUBO D8 L350	TUBE D8 L350	TUYAU D8 L350	ROHR D8 L350
19	WY4652001273	●	TUBO D8 L199	TUBE D8 L199	TUYAU D8 L199	ROHR D8 L199
20	WY4956122060	●	ASSIEME DOSATORE	DOSER KIT	KIT DOSEUR	DOSIERER
21	WY4925686	●	RACCORDO 1/4Mx1/4M	CONNECTOR 1/4Mx1/4M	RACCORD 1/4Mx1/4M	ANSCHLUSS 1/4Mx1/4M
22	WY4925708	●	RACCORDO 1/4x1/4	1/4X1/4 CW510L fitting	RACCORD 1/4X1/4	ANSCHLUSS 1/4X1/4
23	WY12153003	●	GUARNIZIONE RAME 1/4 Sp.2	GASKET 1/4 Sp.2 COPPER	JOINT CUIVRE 1/4 Sp.2	KUPFERDICHTUNG 1/4 Sp.2
24	WY10254	●	FILTRO ACCIAIO 160-200 MESH	STEEL FILTER 160-200 MESH	FILTRE EN ACIER 160-200 MESH	STAHLFILTER 160-200 MESH
25	WY12329	●	GUARNIZIONE OR HNBR 7.66xW1.78	GASKET OR HNBR 7.66xW1.78	JOINT OR HNBR 7.66x1.78	OR DICHTUNG HNBR 7.66xW1.78
26	WY4918126010	●	DOSATORE FLOWMETER	FLOWMETER DOSER	KIT DOSEUR	DOSIERER
27	WY4661016003	●	DISTRIBUTORE CARICO ACQUA	WATER DISTRIBUTION BLOCK	DISTRIBUTEUR EAU	WASSER VERTEILER
28	WY4918159003	●	ELETTRORVALVOLA AEA IN BASE 220/240V 50-60Hz	SOLENOID VALVE 220/240V 50-60Hz	ELECTROVANNE 220/240V 50-60Hz	ELEKTROVENTIL 220/240V 50-60Hz
29	WY12299001	●	GUARNIZIONE VERDE A GOCCIA	GASKET	JOINT	DICHTUNG
30	WY12299002	●	GUARNIZIONE ROSSA PICCOLA	RED GASKET	JOINT ROUGE	DICHTUNG ROT
31	WY4925743001	●	RIDUZIONE 1/4Mx1/8F	REDUCTIE 1/4Mx1/8F	REDUCTION 1/4Mx1/8F	REDUKTION 1/4Mx1/8F
32	WY25396		DADO 1/4 SP.4	NUT 1/4 - 4 THICK	ECROU 1/4 SP.4	MUTTER 1/4
33	WY4923293012	●	STROZZATURA D-1.2	NECK D-1.2	ETRANGLEMENT D-1.2	UMWALZUNG D-1.2
34	WY4652001267	●	TUBO D8 L120	TUBE D8 L120	TUYAU D8 L120	ROHR D8 L120

EVD/3

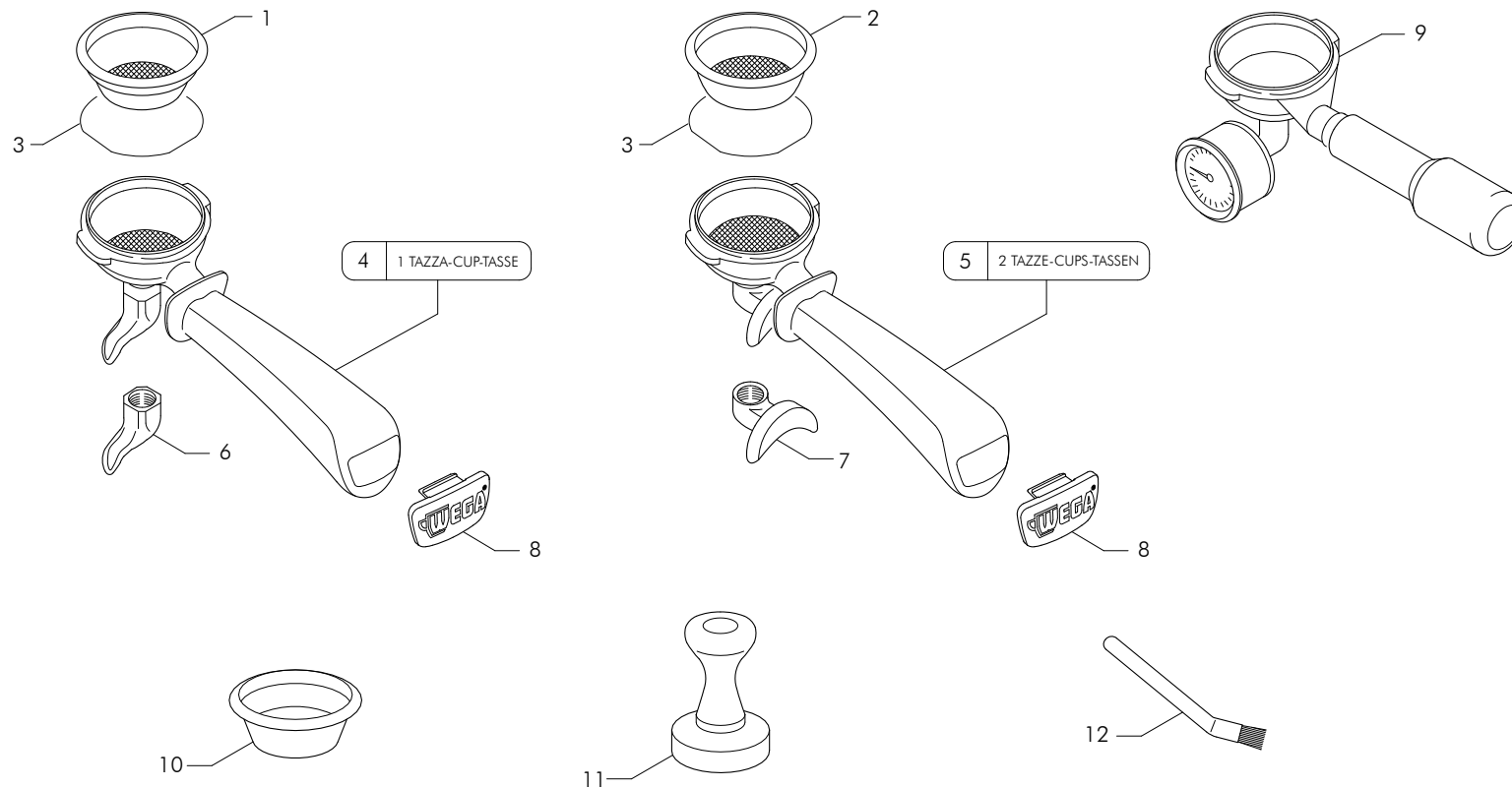
Pos.	Code	Food	Denominazione - IT -	Denomination - GB -	Denomination - FR -	Beschreibung - DE -
35	WY4652003057	●	TUBO D-2 L.1000	TUBE D-2 L.1000	TUYAU D-2 L.1000	ROHR D-2 L.1000
36	WY25781	●	TAPPO FEMMINA 3/8	FEMALE CAP 3/8	BOUCHON FEMELLE 3/8	STOPFEN 3/8
37	WY12402002	●	GUARNIZIONE RAME PASTICCA 15X3	GASKET COPPER 15X3	JOINT CUIVRE 15X3	KUPFERDICHTUNG 15X3
38	WY4620354001	●	VALVOLA CHIUSURA L.40	TAP L.40	CLAPET FERMETURE EAU	ABSPERRVENTIL WASSERZUFUHR L.40
39	WY15452136	●	TUBO SILICONE D-7x11 L.300	TUBE SILICONE D-7x11 L.300	TUYAU SILICONE D-7x11 L.300	SILIKONROHR D7x11 L.300
40	WY12153003	●	GUARNIZIONE RAME 1/4 Sp.2	GASKET 1/4 Sp.2 COPPER	JOINT CUIVRE 1/4 Sp.2	KUPFERDICHTUNG 1/4 Sp.2
41	WY4823228025		RACC.DRITTO 1/4F +PORTAGOMMA D-8 OT/Ni	HOSE CONNECTION 1/4F D-8	PORTE-CAOUTCHOU 1/4F D-8	SCHLAUCHANSCHLUSS 1/4F D-8
42	WY4623229019	●	RACCORDO RAPIDO DRITTO 1/4F D-4	QUICK COUPLING 1/4F D-4	RACCORD RAPIDE 1/4F D-4	STECKVERBINDUNG 1/4F D-4
43	WY15056003		FASCETTA BIFILARE A MOLLA D.11-11.6	SPRING CLAMP BI FILAR D11,00-11.6	COLLIER BIFILAIRE RESSORT D.11,00-11.6	SHELLE D.11-11,6
44	WY15452001	●	TUBO D-2,5x4 FEP	TUBE D-2,5x4 FEP	TUYAU D 2,5X24 FEP	ROHR D 2,5x4 FEP
45	WY15452164	●	TUBO SILICONE D-7x11 L.180	Tube silicone D-7x11 L.180	TUYAU SILICONE D-7x11 L.180	SILIKONROHR D7x11 L.180
46	WY4918161701	●	ELETTROVALVOLA REGOLAZ.PORTATA 220-240V/50-60Hz	SOL.VALVE 220-240V/50-60Hz	ELECTROVANNE 220-240V/50-60Hz	MAGNETVENTIL 220-240V/50-60Hz
47	WY4623229111	●	RACCORDO RAPIDO -L- 1/8M	QUICK COUPLING -L- 1/8M	RACCORD RAPIDE -L- 1/8M	STECKVERBINDUNG -L- 1/8M
48	WY15056004		FASCETTA BIFILARE A MOLLA D.12.1-13.1	SPRING CLAMP BI FILAR D12,10-13.1	COLLIER BIFILAIRE RESSORT D.11,10-13.1	SHELLE D. 12,1-13,1
49	WY15502010		VASCHETTA SCARICO BACINELLA	DRAIN BASIN	CUVE A VIDANGER	ABFLUSSCHALE
50	WY15469001		TUBO CORRUGATO D.19 L.2000	CORRUGATED TUBE D.19 L.2000	TUYAU ONDULE D.19 L.2000	WELLPAPPETUBE D.19 L.2000
51	WY15477014	●	TUBO SILICONE PLATINICO 7x11	SILICON TUBE 7x11	TUBE EN SILICONE 7x11	ROHR SILIKON 7x11



Pos.	Code	Food	Denominazione - IT -	Denomination - GB -	Denomination - FR -	Beschreibung - DE -
1	WY20150	●	PRESSOSTATO SECCO SIRAI 30A	DRY PRESSURE SWITCH SIRAI 30A	PRESSOSTAT SEC SIRAI 30A	TROCKENDRUCKWACHTER SIRAI 30A
2	WY22803183		CABLAGGIO BASSA TENSIONE WBAR 2GR OLED VDE CON AUTO/ST SCTZ	WIRING 2GR DOSER/PROBE	CABLAGE 2GR	VERDRAHTUNG 2GR
3	WY22803184		CABLAGGIO BASSA TENSIONE WBAR 3GR OLED VDE CON AUTO/ST SCTZ	WIRING 3GR DOSER/PROBE	CABLAGE 3GR	VERDRAHTUNG 3GR
4	WY22803230		CABLAGGIO 2GR ALTA TENSIONE	POWER CABLE 2GR	CABLAGE D'ALIMENTATION 2GR	STROMKABEL 2GR
5	WY22803232		CABLAGGIO 3GR ALTA TENSIONE	POWER CABLE 3GR	CABLAGE D'ALIMENTATION 3GR	STROMKABEL 3GR
6	WY18090284		CENTRALINA 100/240V 3D5 XLC	CONTROL UNIT 100/240V 3D5 XLC	CENTR.100/240V 3D5 XLC	STEUEREINHEIT
7	WY18090377		CENTR. 100/240V 3D5 XLC IO/1>3GR SENZA TELEMETRIA	CONTROL UNIT W/O TELEMETR	CENTR.100/240V 3D5 XLC IO/1-3GR SANS TÉLÉMÉTRI	STEUEREINHEIT OHNE TELEMETRI
8	WY56930000		ASSIEME TERMOSTATO	ASS.THERMOSTAT	ENS.THERMOSTAT	THERMOSTAT
9	WY18371283		STRIP 6LED/2 5050 3SLEDFBPW3001D00 WHITE + SUPPORTO	6 LED STRIP WHITE	BANDE DE 6 LED BLANC	LED 6 STREIFEN WEISS
10	WY15029341		PROTEZIONE LED	LED PROTECTION	PROTECTION LED	LED-SCHUTZ
11	WY18090243		FILTRO RLC	RLC FILTER	FILTRE	FILTER
12	WY22800626		CABLAGGIO INTERFACCIA FILTRO ANTIDISTURBO	FILTER INTERFACE WIRING	CABLAGE D'INTERFACE FILTRE	FILTER SCHNITTSTELLEN VERDRAHTUNG
13	WY21014002		LED BIANCO CABLATO	LED WHITE	LED BLANC	VERDRAHTET WEISSES LED
14	WY21026		LED D-5 VERDE	LED D-5 GREEN	LED D-5 VERT	LED D-5 GRUN
15	WY18371143		INTERRUTTORE NERO	SWITCH BLACK	INTERRUPTEUR NOIR	SCHALTER SCHWARZ
16	WY19049001		COPERTURA INTERRUTTORE	SWITCH COVER	PROTECTION INTERRUPTEUR	SCHALTER ABD.
17	WY22944G		COMMUTATORE 18104G + CAVO ALIMENTAZIONE	COMMUTATOR 18104G + ALIMENTATION CABLE	COMM. 18104G + CABLE D'ALIMENTATION	KONTROLLEUCHE + STROMKABEL
18	WY22945		COMMUTATORE 18101 D4 NEOP.	COMMUTATOR 18101 3PH+N	COMM.18101 D4 NEOP.	KONTROLLEUCHE 18101
19	WY15029381		MANOPOLA COMMUTATORE GRIGIO ANTRACITE 7043 OPACO	MAIN SWITCH HAND GRIP	MANETTE INTERRUPTEUR GENERAL	HAUPTSCHALTERGRIFF
20	WY19123002		PORTAFUSIBILE F430 250V 10A UR/VDE	FUSE HOLDER 250V 10A UR	PORTE-FUSIBLE 250V 10A UR	SICHRUNGSHALTER 250V 10A UR
21	WY19103		FUSIBILE 5x20 6.3A ST520263 OMEGA UL/VDE	FUSE 5x20 6.3A ST520263 OMEGA	FUSIBLE 5x20 6.3A ST520263 OMEGA	SCHMELZSICH.OMEGA 5x20 ST520263
22	WY19104011		FUSIBILE OMEGA 5x20 UL/VDE ST 521280 8A 250V	FUSE 5x20 8A 250V UL/VDE ST 521280 OMEGA	FUSIBLE OMEGA 5x20 UL/VDE ST 521280 8A 250V	SCHMELZSICH.OMEGA 5x20 UL/VDE ST 521280 8A 250V
23	WY15073		CONNETTORE 2VIE PORTA FASTON MASCHIO UL	CONNECTOR 2V + FASTON	CONNECTEUR 2V + FASTON	VERKABELUNG STECKVERBINDUNG 2V + FASTON
24	WY17022007		RESISTENZA 2GR 230V 200W	HEATING ELEMENT 2GR 230V 200W	RESISTANCE 2GR 230V 200W	WIDERSTAND 2GR 230V 200W
25	WY17023007		RESISTENZA 3GR 230V 250W	HEATING ELEMENT 3GR 230V 250W	RESISTANCE 3GR 230V 250W	WIDERSTAND 3GR 230V 250W
26	WY18559035		ALIMENTATORE SWITCH LED 12V 10W	SWITCHING POWER UNIT 12V 10W	ALIMENTATION LED 12V 10W	LED NETZTEIL 12V 10W
27	WY18090398		DISPLAY OLED 0,96" 128x64PX RS485 RS232 TTL 5V	OLED DISPLAY 0,96"	AFFICHAGE OLED 0,96"	OLED-ANZEIGE 0,96"
28	WY15491209		VETRINO OLED GUIDATO	GLASS GUIDED DISPLAY	AFFICHAGE GUIDÉ EN VERRE	GLASGEFÜHRTES



Pos.	Code	Food	Denominazione - IT -	Denomination - GB -	Denomination - FR -	Beschreibung - DE -
1	WY78214526		SUPPORTO MOTOPOMPA	MOTOPUMP SUPPORT 2GR	MOTOPOMPE SUPPORT 2GR	PUMPE SUPPORT 2GR
2	WY15105		GOMMA AMMORTIZZATORE	RUBBER FOR MOTOR	CAOUTCHOUC POUR MOTEUR	GUMMI x MOTOR
3	WY78214527		STAFFA MOTORE	MOTOR BRACKET	SUPPORT MOTEUR	MOTOR HALTERUNG
4	WY19062001		CONDENSATORE MOTORE 230V 7uF	MOTOR CAPACITOR 230V 7uF	CONDENSATEUR MOTEUR 230V 7uF	KONDENSATOR MOTOR 230V 7uF
5	WY25782		TAPPO FEMMINA 1/4 GAS	1/4 GAS FEMALE TAP	BOUCHON FEMELLE 1/4 GAZ	INNENANSCHLUSSTOPSEL 1/4 GAS
6	WY12007002	●	GUARNIZIONE RAME 11x3	GASKET COPPER 11x3	JOINT CUIVRE 11x3	KUPFERDICHTUNG 11x3
7	WY56406	●	MOTORE RPM 230V 50/60 R.H2O	MOTOR RPM 230V 50/60Hz H2O	MOTEUR RPM 230V 50/60HZ H2O	MOTOR RPM 230V 50/60HZ H2O
8	WY26310003		FASCETTA GIUNZIONE MOTORE-POMPA	CLAMP MOTOR-PUMP	BANDE MOTEUR-POMPE	SCHELLE MOTOR-PUMPE
9	WY83260016R		KIT DISACCOPIAMENTO MOTORE POMPA	KIT DECOUPLING MOTOR-PUMP	ENSEMBLE DECOUPLAGE MOTEUR POMPE	KIT MOTOR-PUMPE KUPPLUNG
10	WY4626303	●	POMPA FLUID-O-TECH 204	PUMP FLUYD 204	POMPE 204	PUMPE 204
11	WY4943052002	●	RACCORDO GIREVOLE "L" 3/8	CONNECTOR "L" 3/8	RACCORD "L" 3/8	ANSCHLUSS "L" 3/8
12	WY4656116003	●	RACCORDO GOMITO 3/8+3/8	CONNECTOR 3/8+3/8	RACCORD 3/8 + 3/8	ANSCHLUSS 3/8 + 3/8
13	WY10254	●	FILTRO ACCIAIO 160-200 MESH	STEEL FILTER 160-200 MESH	FILTRE EN ACIER 160-200 MESH	STAHLFILTER 160-200 MESH
14	WY10005	●	ANELLO DI ARRESTO INOX	STAINLESS STEEL STOP RING	ANNEAU DE BUTEE INOX	DRAHTSPRENGRING ROSTFREI
15	WY4630408	●	TUBOFLEX 3/8FF L.1500 mm	FLEX PIPE 3/8 L.1500 mm	TUYAU FLEX 3/8 FF L.1500 mm	SCHLAUCH 3/8 L.1500 mm
16	WY4630404008	●	TUBOFLEX 3/8 FF L.125	TUYAU FLEX 3/8 FF L.125	TUYAU FLEX 3/8 FF L.125	TUBOFLEX 3/8 FF L.125
17	WY4630404	●	TUBOFLEX 3/8 L.450	FLEX PIPE 3/8 L.450	TUYAU FLEX 3/8 L.450	SCHLAUCH 3/8 L.450
18	WY56123471		ASSIEME MOTORE RAF H2O 230V + POMPA	MOTOR-PUMP 230V	MOTEUR-POMPE 230V	MOTOR-PUMPE 230V



Pos.	Code	Food	Denominazione - IT -	Denomination - GB -	Denomination - FR -	Beschreibung - DE -
1	WY27142	●	FILTRO INOX 1 TAZZA H.24	1 CUP S.STEEL FILTER H.24	FILTRE INOX 1 TASSE H.24 10 PCES	EDELSTAHL-FILTER 1 TASSE H.24 10 ST
2	WY27171	●	FILTRO INOX 2 TAZZE H.24,5	2 CUPS S.STEEL FILTER H.24,5	FILTRE INOX 2 TASSES H.24,5 10 PCES	EDELSTAHL-FILTER 2 TASSEN H.24,5 10 ST
3	WY27255		MOLLA FERMAFILTRO D-1,2	FILTER HOLDER SPRING	RESSORT FERME-FILTRE	FEDER FUR FILTERHALTER
4	WY83270074R	●	PORTAFILTRO COP.NERA 1 TAZZA	FILTER HOLDER 1CUP	PORTE FILTRE 1 TASSE	FILTERHALTER
5	WY83270075R	●	PORTAFILTRO COP.NERA 2 TAZZE	FILTER HOLDER 2 CUPS	PORTE FILTRE 2 TASSES	FILTERHALTER
6	WY4927032001	●	BECCUCCIO 1 TAZZA	SPOUT 1 CUP	BEC 1 TASSE	AUSGUSS 1 TASSE
7	WY4927042001	●	BECCUCCIO 2 TAZZE	SPOUT 2 CUPS	BEC 2 TASSES	AUSGUSS 2 TASSEN
8	WY15263022		TAPPO MANOPOLA PORTAFILTRO	KNOB CAP	BOUCHON	KORKEN
9	WY35W10827	●	PORTAFILTRO PROVA	TEST FILTER HOLDER	PORTEFILTRE MANOMETRE TESTER PRESSION	FILTERHALTER FUER FILTERPROBE
10	WY27173	●	FILTRO INOX 2 TAZZE CIECO	2 CUPS STAINLESS STEEL BLIND FILTER	FILTRE INOX 2 TASSES AVEUGLE	GESCHLOSSENER FILTER 2 TASSEN
11	WY15420	●	PRESSINO CAFFE	COFFEE PRESS	PRESSE CAFE	EINDRUCKVORRICHTUNG
12	WY15426	●	SPAZZOLINO NERO SETOLE NYLON CORTE	SHORT BLACK NYLON BRISTLE BRUSH	PETITE BROSSSE NOIRE AVEC POILS NYLON	KURZE, SCHWARZE NYLONBUERSTE